



USBlanks™

SOLARMADE IN THE USA

SURFBOARD BLANK CATALOG APRIL 2020



INFORMATION page 3

 Welcome..... 4

 Solarmade 2.0 Blanks..... 5

 How To Use This Catalog..... 6

BLANK OPTIONS

 Foam & Density Selection..... 7

 Stringer Selection..... 8-9

 Rocker Selection..... 9-10

 Blanks by Category..... 11

BLANK SPEC PAGES

 Polyurethane Blanks..... 12-80

 SUPERFUSED EPS Blanks..... 81-94

 Block-Cut EPS..... 95-104

 Parabolic Stringered Blanks..... 105-116

Shipping Boxes..... 117

Resellers..... 118-119

PU Quick Reference Guide..... 120-122

Sales Policy..... 123-125

ACCOUNT SET-UP

US Blanks are manufactured in Southern California using 100% solar power. We also operate a warehouse in Florida to service the East Coast. Blanks are available direct (for wholesale manufacturing accounts only) or through a network of Resellers (see page 115) for wholesale & retail sales. To set up a wholesale account contact us at the phone numbers listed below.

US Blanks
 P.O. Box 486
 Gardena, CA 90248
 Phone: 1(310) 225-6774
 Fax: 1(310) 225-6922
 info@usblanks.com

US Blanks Florida
 2775 Business Center Blvd
 Melbourne, FL, 32940
 Phone: 1(321) 253-3626
 Fax: 1(321) 259-2664
 florida@usblanks.com

DELIVERY METHOD

US Blanks delivers direct in California from our Los Angeles based factory. Our blanks are available to all other locations via box shipments, pallet shipments, or container loads.

Delivery Type	Method	Location	Blank Quantity
Direct	US Blanks Trucks	San Diego to San Francisco	5 - 400
Box	Common Carrier	Worldwide	4 - 5 per box
Pallet	Freight Truck	Continental US	Approx. 50
Container	Freight Truck & Ship	Worldwide	400 - 800

US Blanks Truck Schedule

Weekly
 Monday - San Diego
 Tuesday - Oceanside & San Clemente
 Wednesday - Orange County
 Thursday - LA & Ventura

Every 3 Weeks (Subject to Change)
 Tuesday - San Luis Obispo
 Wednesday - Santa Cruz & San Francisco

TERMS

Initial orders are either prepayment or C.O.D. All container orders require 50% deposit and final 50% is due prior to shipping. Credit terms are considered only after a client relationship has been established. Finance charge of 24% APR is applied to past due balances. Please refer to our Sales Policy on page 117 for more information.

MISSION

Our mission at US Blanks is to establish close partnerships with customers to produce the best surfboard possible. We are committed to design, technology and to maintaining the highest level of quality while offering a wide range of products, including an extensive variety of blank sizes, weights, stringer, rockers, and glue colors.

The US Blanks team is comprised of industry veterans with unparalleled experience in surfboard blank production.

GUARANTEE

US Blanks guarantees the quality of our blanks. If you receive a blank that does not meet our quality standards, we will replace the blank. In addition, if that blank has been shaped, we will credit the customer with a shaping fee (per our schedule) OR an additional blank (to be determined by US Blanks). In order to be eligible for either credit, the inferior blank must be returned to US Blanks. We will not cover the costs of any work on the blank completed after the first notice of a problem. Please refer to our Sales Policy on page 118 for more information.

SUSTAINABILITY & SOLARMADE BLANKS

Every blank we manufacture comes from our Southern California facility, which runs on 100% solar power. Operating in California requires that we exercise the highest standards in environmental protection, waste disposal, and safety precautions for our entire team. Our location and industry-leading practices allow us to maintain longevity among staff and clients and provide unmatched customer service.

US Blanks also maintains a highly-prioritized recycling initiative. Our EPS foam scraps and off-cuts are processed off-site, then recycled for use in a variety of applications from packaging to construction. Our wood scraps, off-cuts and sawdust are reclaimed off-site for use outside of the surf industry. Our paper, plastic, metal, packaging, and office waste is recycled using best practices at local recycling facilities.

MARKETING RESOURCES

Marketing Resources are available for clients. Utilize these to help inform your customers about blank options. Our goal is to educate surfers about the importance of quality foam and our wide-ranging customization options. Send requests to info@usblanks.com. For visual examples visit usblanks.com/marketing-resources/

Product Catalog
Tri-Fold Brochures
Hats
Laminate

One Sheets
Stickers
Stringer Samples
Customer Gift Bags

Product Overview
Poster
T-Shirts
Colored Foam Samples
US Blanks Surf Wax

SOLARMADE IN THE USA

Every PU US Blanks surfboard blank is manufactured with solar energy in the USA. The core of surfing, solar made, in the USA.

In 2016 we installed 680 solar panels on the roof of our factory in Los Angeles and transitioned our entire manufacturing facility to run on the energy produced from these panels. This transition makes US Blanks the first and only blank manufacturer in the world to be 100% solar powered.

We believe that responsible business practices foster long-term client and employee relationships and help grow our economy. This has been a core tenet of our brand since day one. Transitioning our factory to 100% solar power is the latest action of this core belief. We have SOLARMADE stickers and laminates for you. Send your request to info@usblanks.com.



US BLANKS 2.0

In 2019 we introduced a new and improved version of our polyurethane foam. It was the result of two years of research, development, and feedback from clients. Through updated manufacturing methods and an adjusted formula we've been able to yield a comprehensively better foam, both for hand shaping and machine cutting. 2.0 foam is firmer, has tighter cell structure, smoother texture and unrivaled consistency from skin to core, nose to tail, and from one blank to the next. 2.0 foam blanks are identified by the stencil sprayed on the bottom of the blank.

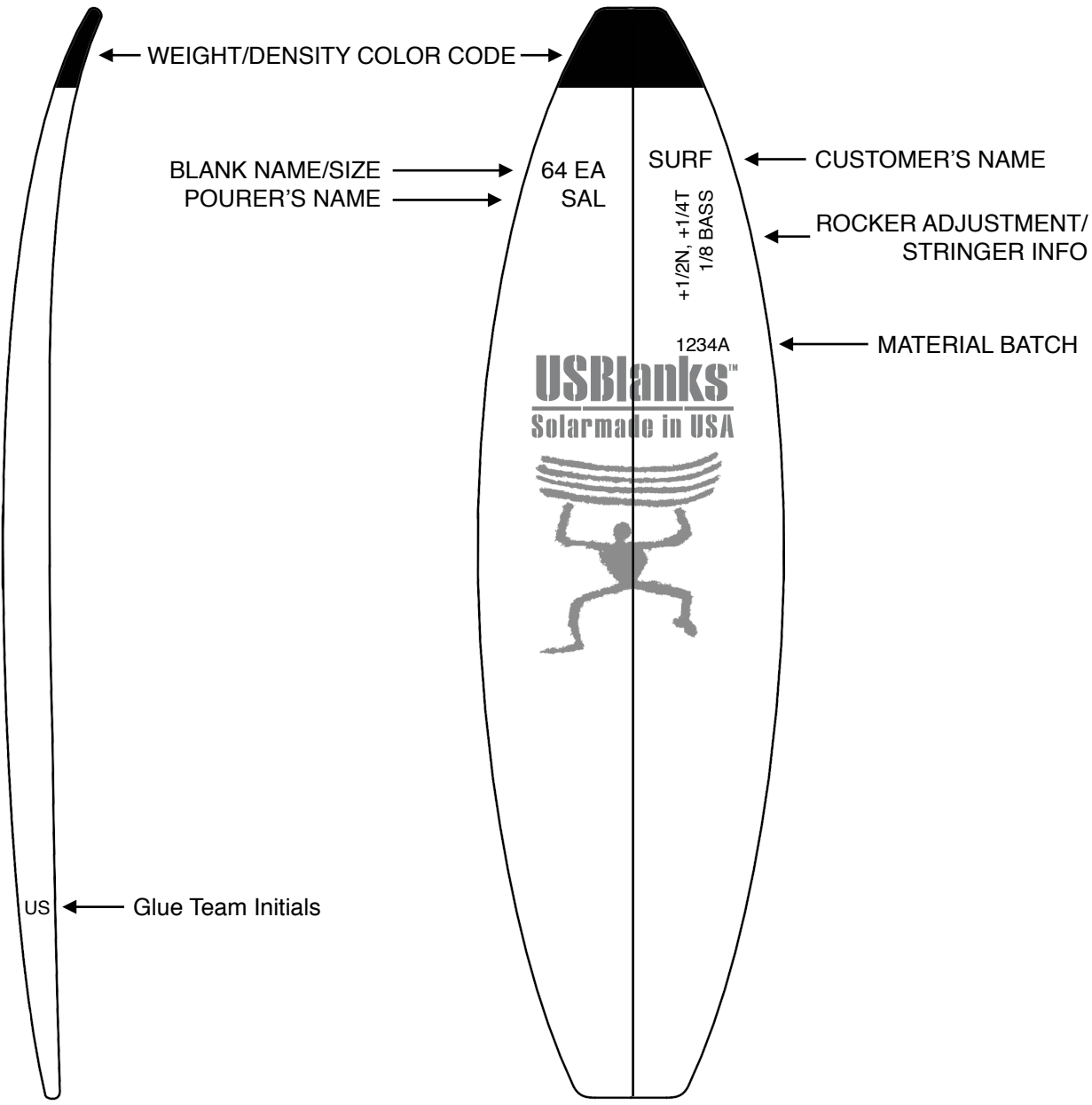
USBlanks2.0
Solarmade in USA

BLANK MEASUREMENTS

All blank illustrations in this catalog are drawn to actual scale; 1:12 scale for blanks shorter than 8'0" and 1:16 for blanks 8'0" and longer. Shape3D sightings from Nose-to-Tail are also included.

Actual measurements vary slightly due to the use of mold release, unpredictable shrinkage during molding, rail fill and rough rails. The nose and tail rockers are measured from the bottom of the blank to the bottom of the nose and the tail.

Volume measurements are calculated using the Shape3D scan method. Shape3D and AKU files for each blank are available upon request. Contact info@usblanks.com



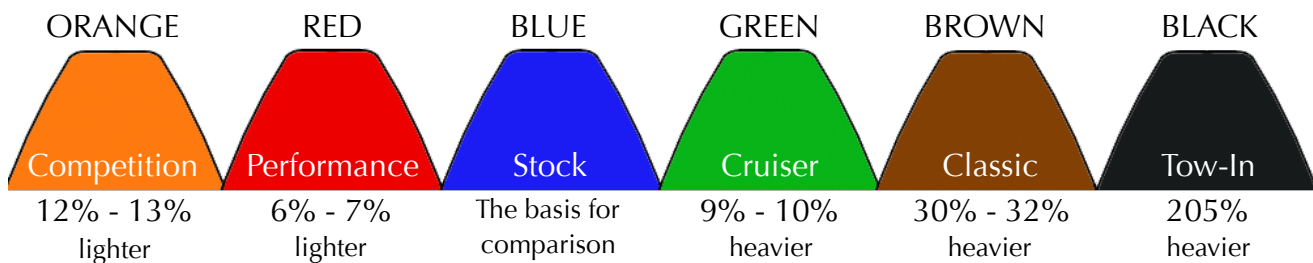
US Blanks offers 6 densities of Polyurethane foam and 2 types of EPS foam, each available in 2 densities.

POLYURETHANE (PU)

US Blanks manufactures a water blown, Toluene Diisocyanate based polyester polyurethane blank. We feel this combination provides the best physical properties required by a surfboard, resulting in the strongest blank possible, and yields the best performance qualities. Our formulation provides the optimum strength, ease of shaping, and ideal flex.

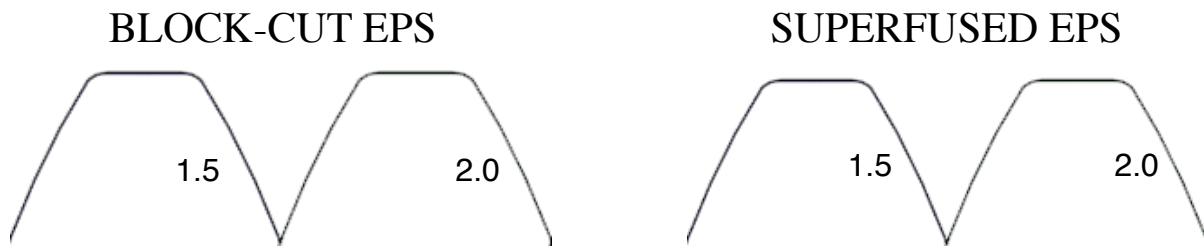
Our PU blanks are available in 6 densities for most sizes. Actual PCF (pounds per cubic foot) of a given weight foam will vary due to mold compaction and skin-to-core ratio. The comparisons listed are based on the difference in pounds of foam used to pour each density and is an average among blank sizes.

The DENSITY is identified by the color on the nose of each blank.



EXPANDED POLYSTYRENE (EPS)

US Blanks offers 2 types of surf-formulated EPS foam with DENSITY indicated with text on the nose:



BLOCK-CUT EPS blanks are available in 2 stock densities; 1.5 pcf & 2.0 pcf, with 1.0 pcf available via custom order. These blocks are available up to 24' long x 4' wide x 3' thick. Custom cut files may be submitted in either Shaped 3D or AKU formats. All PU sizes are available as Block-Cut EPS.

SUPERFUSED EPS are molded and available in 6 sizes, in multiple thicknesses, and 2 densities; 1.5 pcf & 2.0 pcf. The molding process provides tighter fusion and cell structure than traditional EPS blanks. Additional information is listed on page 70 of this catalog.

USBlanks.com/blank-options/density-selection/

STRINGER SELECTION

Stringer selection is an important part of a surfboard's strength, flex pattern and aesthetic. Our in-house mill allows us to offer nearly any conceivable cut or configuration, including multi-stringers, T-bands, off-set stringers, flares, wedge cuts, and parabolics (see page 101).

We offer 5 solid woods, various plywoods, and 2 alternative materials. For photographic examples of stringer materials and configurations, visit USBlanks.com and contact info@usblanks.com for a sample pack of stringers.

Solid Wood

BALSA: Consistent color and grain. Available in any length and thickness. Not always available. Sometimes scabbed to achieve customer's desired lengths.

BASSWOOD: Consistent color and grain. Available in any length and thickness. Readily available.

CEDAR: Slight variation in color and grain. Available in any length and thickness. Not always available.

DARK WOOD: Introduced to fill the void when cedar is unavailable. Variation in color, from a cedar-tone to dark. Available in any length and thickness. Readily available.

REDWOOD: Slight variation in color and grain. Available in any length and thickness. Available for a limited time.

Plywood

All our plywoods are unidirectional and have very consistent color and grain.

POPLAR 3-PLY: 4mm (Light / Light / Light)

POPLAR 5-PLY: 6mm (Light / Light / Light / Light / Light)

HIGH-PERFORMANCE 3-PLY: 4mm (Light / Dark / Light)

TEAM 3-PLY: 4mm (Dark / Light / Dark)

APPLECORE 3-PLY: 1/8", color-dyed basswood. Available in a variety of color combinations.

APPLECORE 5-PLY: 5/32" (Light / Dark / Light / Dark / Light)

APPELCORE 5-PLY: 1/4" (Light / Dark / Black / Dark / Light)

APPLECORE 7-PLY: 3/8" (Dark / Light / Dark / Black / Dark / Light / Dark)

Alternative Materials

PVC: Red & Black at 3mm (up to 8'). White at 4mm (up to 8'). Black at 6mm (up to 10').

COLORED FOAM INSERTS: High density, colored, polyurethane foam is available as a stringer insert. It's available in any width including wedges, T-bands, and up to 11' in length. Stock colors are Blue, Red, Yellow, Orange, Green (Regular or Fresh), Black, Pink, Grey. We formulate our colors to be bright and bold. Occasionally we may have additional colors available.

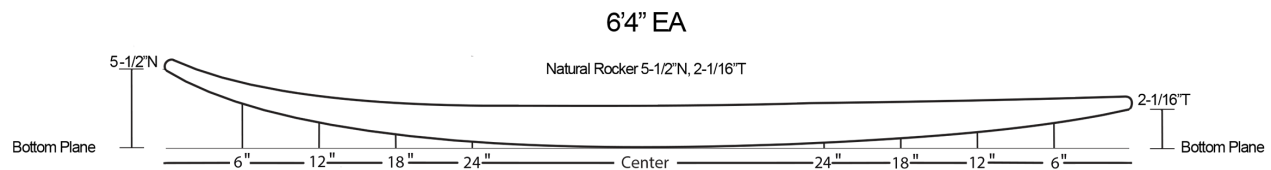
ROCKER SELECTION

Rocker selection will allow to you find the precise balance of speed and turning radius for your surfboard. US Blanks are designed with a *Natural Rocker* that fits the widest variety of designs, but we also offer custom Rocker adjustments.

We use the deck line to index all blanks when gluing, and all adjustments are referenced to the *Natural Rocker*. Adjustments can be made from almost any point on a blank, whether deck or bottom, and from one blank size to another. Unless instructed, all rocker adjustments will be made from the center of the blank. If the adjustment is made from a point other than center, the adjustment point will be part of the description. Rockers transferred from one blank size to another will require a match point. Radical rocker adjustments may result in bumps or dips created in the deck line.

The Rocker Formula:

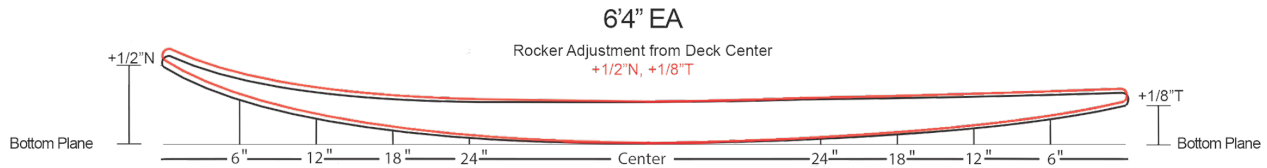
Natural Rocker = Inches Rise in the Nose, Inches Rise in the Tail (from the Bottom Plane)



The Nose measurement is always written first. It begins with the number of inches the tip rises from the bottom plane of the blank and is followed by the letter "N". A comma separates the Nose rocker from the Tail rocker. Likewise, the Tail rocker is written in number of inches the tip rises from the bottom plane of the blank and is followed by the letter "T".

Rocker Adjustments

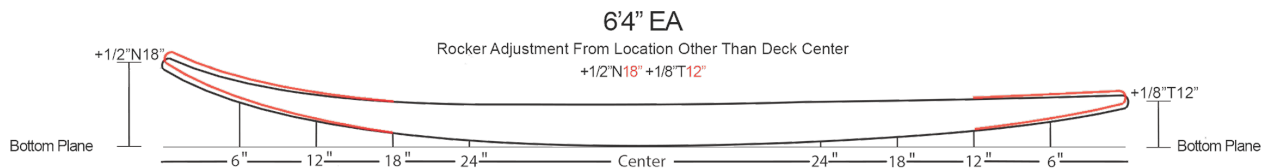
All Custom Rockers are written as adjustments from the Natural Rocker. Adjustments are made from the center unless otherwise specified.



This indicates that the tip of the Nose is adjusted $+1/2''$ and the Tail is adjusted $+1/8''$ from the Natural Rocker and the adjustments were made from the center.

Rocker Adjustments From Location Other Than Center

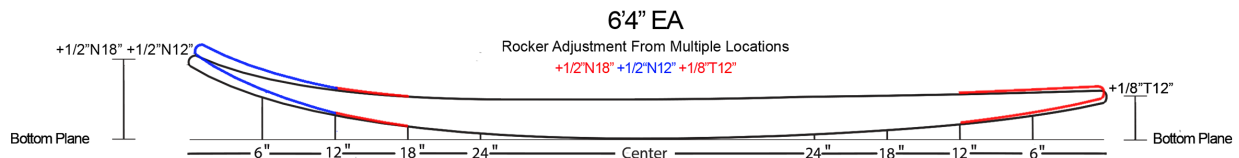
Adjustments made from a location other than centered are indicated by the number, in inches, that follows the "N" or "T" in the rocker formula.



This indicates that the tip of the Nose is adjusted $+1/2''$ from the Natural Rocker, but only within the last 18" of the Nose. And the tail is adjusted $+1/8''$ from the Natural Rocker but only in the last 12" of the Tail.

Rocker Adjusted from Multiple Locations

Rockers can also be adjusted from multiple locations within the Nose or Tail to add subtle rocker to a given area and then increased rocker to another area, (i.e., a "Flipped Tip" effect). It is indicated by simply adding values to the existing rocker formula.



This indicates that the tip of the Nose is adjusted $+1/2''$ from the Natural Rocker in the last 18" of the Nose and then an additional $1/2''$ in the last 12" of the Nose. And the tail is adjusted $+1/8''$ from the Natural Rocker but only in the last 12" of the Tail.

BLANKS BY CATEGORY

5'9"P page 12 6'0"P page 14 6'0"R page 15 6'2"P page 17 6'3"EA page 18 6'4"EA page 20 6'4"EAX page 21 6'4"MB page 22 6'5"R page 24

6'6"EA page 25 6'7"P page 26 6'8"A page 27 6'8"AX page 28 6'8"P page 29 6'9"EA page 31 6'9"R page 32 7'0"A page 34 7'1"A page 35

5'10"RP page 13 6'2"A page 16 6'3"RP page 19 6'5"A page 23 6'8"RP page 30 6'10"A page 33 7'3"A page 38 7'4"SP page 39 7'9"H page 44

7'9" HX page 45 7'10"SP page 46 8'0"H page 48 8'4"SP page 53 8'4"SPX page 54

7'1"EA page 36 7'5"A page 40 7'6"EA page 41 7'7"A page 42 8'1"EA page 49 8'2"A page 50 8'2"AX page 51 8'3"H page 52 8'6"EA page 56

9'3"A page 60 9'3"AX page 61

8'9"Y page 57 8'9"YX page 58 9'3"Y page 62 9'4"B page 63 9'5"M page 64 9'8"Y page 65 9'9"B page 68 10'1"C page 70 10'2"B page 71

10'2"BX page 72 10'8"C page 76 10'8"Y page 77 11'3"D page 79

7'2"EA page 37 7'8"EA page 43 7'11"A page 47 8'5"A page 55 9'2"A page 59 9'9"A page 65 9'9"AX page 67 10'0"BG page 69 10'6"A page 73

10'6"AX page 74 10'8"BG page 75 11'8"BG page 80

9'6"SUP page 97 10'0"SUP page 98 10'4"SUP-A page 99 10'4"SUP-B page 100 10'10"T page 78 11'2"SUP-A page 101

11'2"SUP-B page 102 12'1"SUP page 103 12'6"SUP page 104

6'5" page 82 6'5"X page 83 6'8" page 84 6'8"X page 85 7'2" page 86 7'2"X page 87 7'8" page 88 7'8"X page 89 8'8" page 90

8'8"X page 91 9'8" page 92 9'8"X page 93 9'8"XX page 94

SHORTBOARD

5'9"P

Designed by

TIMMY PATTERSON

Introduced April 2006

Overall Bottom Length: 5'10 1/4" (178.44 cm)

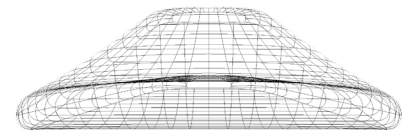
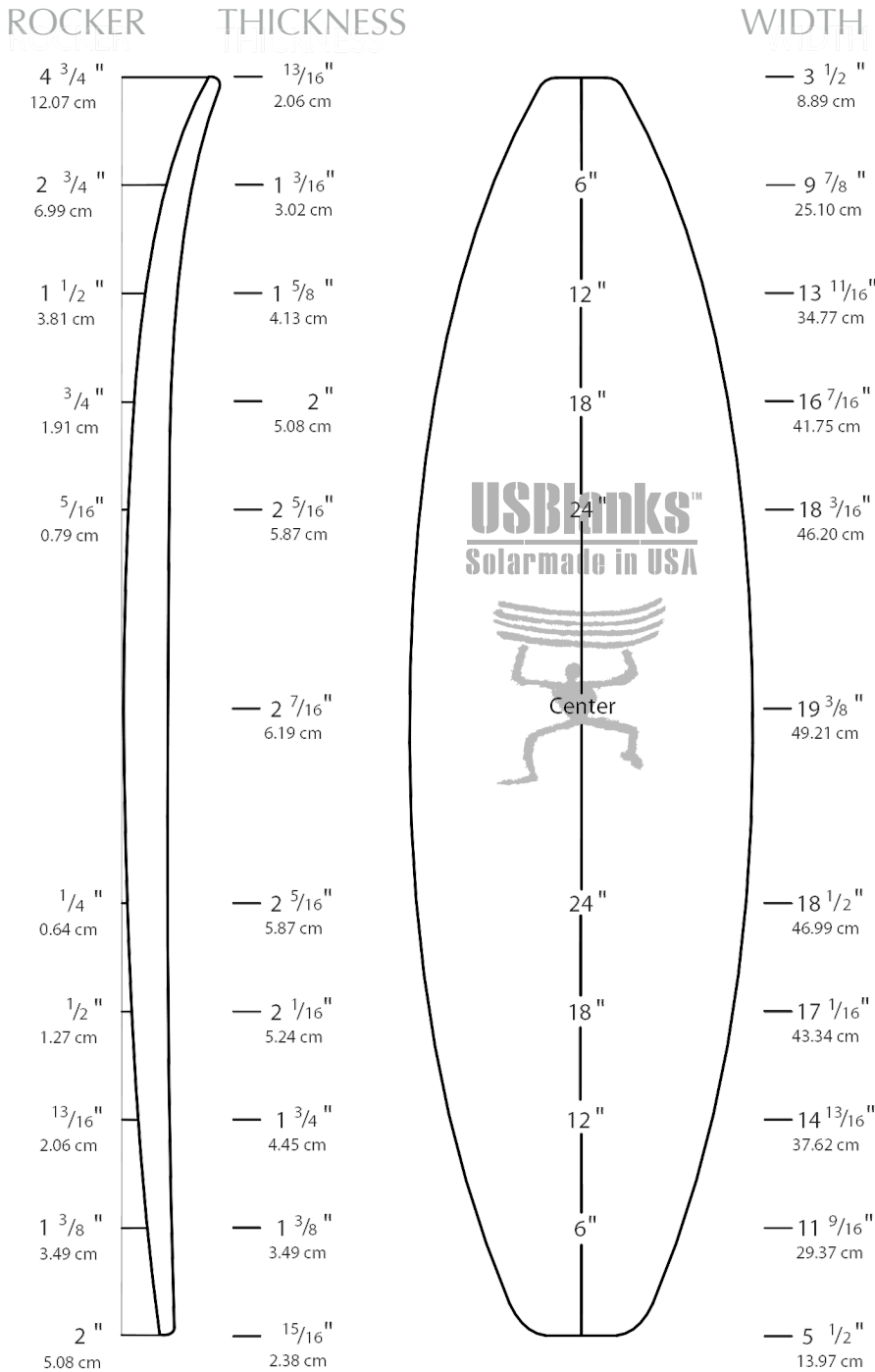
Tip-to-Tip Deck Length: 5'9 5/8" (176.85 cm)

Max Width: 19 3/8" (49.21 cm)

Max Thickness: 2 7/16" (6.19 cm)

Displacement: 1.14 ft³ (32.2 L)

Natural Rocker: 4 3/4"N 2"T



"This is an ideal Grom blank with medium volume. It has an excellent natural rocker which will also work well in the 6'0"P and 6'2"P matched from the nose. A perfect hand shape blank that can also be used on the machine."

TIMMY PATTERSON



FISH/EGG

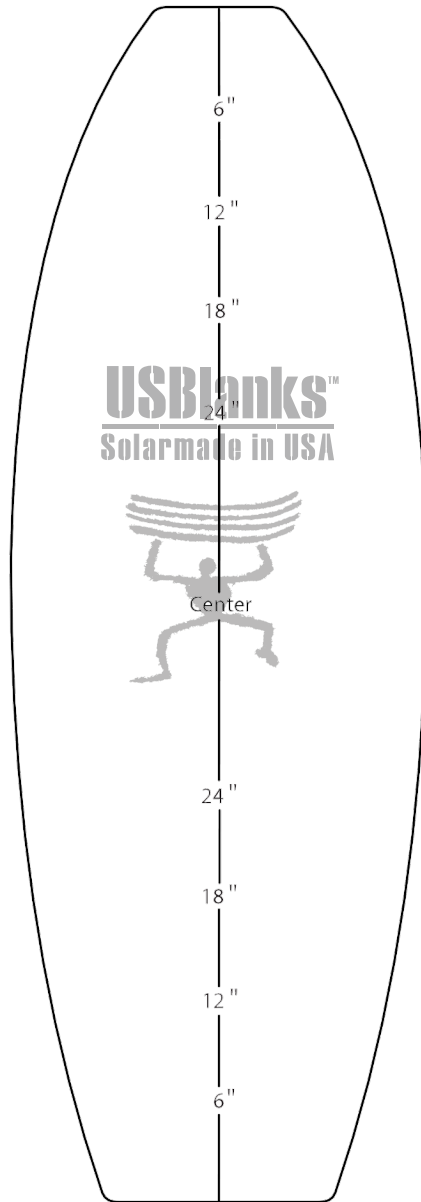
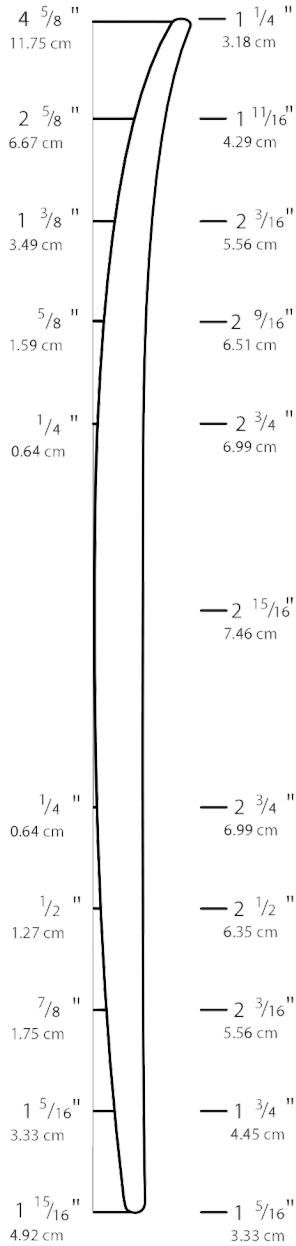
5'10"RP

Designed by
RICH PAVEL

Introduced October 2008

ROCKER THICKNESS

WIDTH



Overall Bottom Length: 5'11 1/4" (180.98 cm)

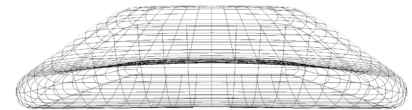
Tip-to-Tip Deck Length: 5'10 3/4" (179.71 cm)

Max Width: 24 7/8" (63.18 cm)

Max Thickness: 2 15/16" (7.46 cm)

Displacement: 1.91 ft³ (54.1 L)

Natural Rocker: 4 5/8"N 1-15/26"T



"This is a versatile blank with enough volume to accommodate multiple styles of surfboard, but it was inspired by input from the famed 'Fish Fry' events attended worldwide. It was designed for the modern hand shaper but modified for machine shapes. It easily nets 5'10" deck measurement with high-performance rockers and thicker profiles."

RICH PAVEL



SHORTBOARD

6'0" P

Designed by
TIMMY PATTERSON

Introduced April 2007

ROCKER

THICKNESS

WIDTH

4 5/8"
11.75 cm

2 1/16"
6.83 cm

1 1/2"
3.81 cm

1 3/16"
2.06 cm

5/16"
0.79 cm

3/16"
0.48 cm

7/16"
1.11 cm

3/4"
1.91 cm

1 3/16"
3.02 cm

1 11/16"
4.29 cm

7/8"
2.22 cm

1 1/4"
3.18 cm

1 5/8"
4.13 cm

2"
5.08 cm

2 1/4"
5.72 cm

2 1/2"
6.35 cm

2 5/16"
5.87 cm

2 1/8"
5.40 cm

1 7/8"
4.76 cm

1 7/16"
3.65 cm

1"
2.54 cm

6"

12"

18"

24"

24"

18"

12"

6"

4
10.16 cm

10 1/16"
25.56 cm

14 1/16"
35.72 cm

16 13/16"
42.70 cm

18 9/16"
47.15 cm

20"
50.80 cm

18 15/16"
48.10 cm

17 11/16"
44.93 cm

15 9/16"
39.53 cm

12 3/8"
31.43 cm

6 3/4"
17.15 cm

Overall Bottom Length: 6'0 3/4" (184.78 cm)

Tip-to-Tip Deck Length: 6'0 1/4" (182.88 cm)

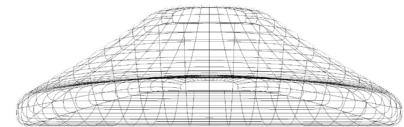
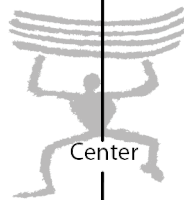
Max Width: 20" (50.80 cm)

Max Thickness: 2 1/2" (6.35 cm)

Displacement: 1.23 ft³ (34.9 L)

Natural Rocker: 4 5/8"N 1-11/16"T

USBlanks™
Solarmade in USA



"This is a close-to-medium tolerance blank excellent for junior sizes. Adjusted thickness flow in the nose and tail makes it a perfect quick shape blank. The design was based on the

6'2" P"

TIMMY PATTERSON



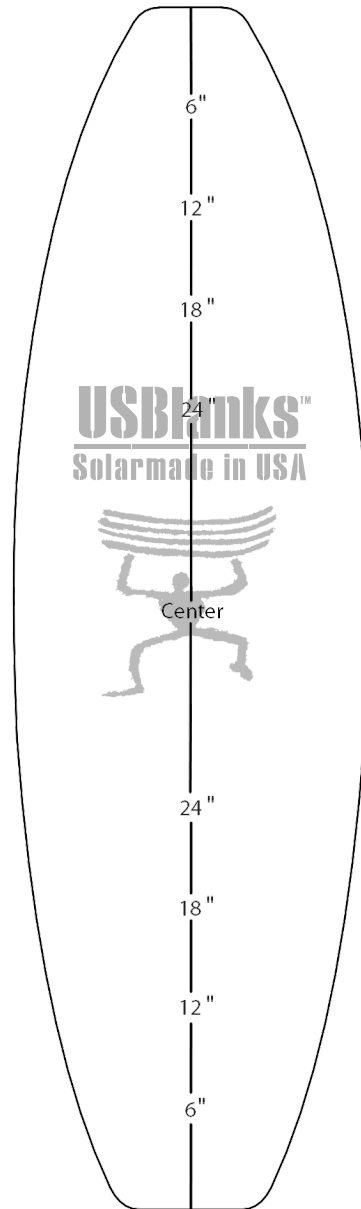
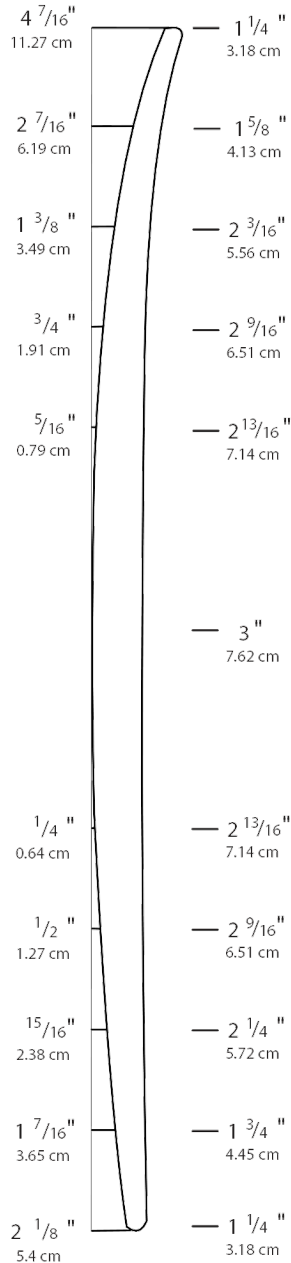
SHORTBOARD

6'0"R

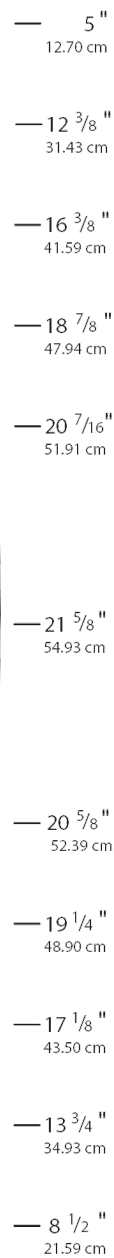
Designed by
RUSTY PRESENDORFER

Introduced March 2011

ROCKER THICKNESS



WIDTH



Overall Bottom Length: 6'0 1/2" (184.15 cm)

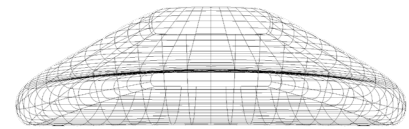
Tip-to-Tip Deck Length: 5'11 3/4" (182.25 cm)

Max Width: 21 3/16" (53.82 cm)

Max Thickness: 3 3/16" (7.78 cm)

Displacement: 1.667 ft³ (47.2 L)

Natural Rocker: 4 7/16"N 2-1/8"T



"Designed to be a versatile blank for shorter, wider, relaxed rockered boards. Somewhere between a Fish and performance Shortboard, with added volume under the chest. Semi-flat deck and thicker on the ends. It should provide a wide range of option."

RUSTY PRESENDORFER



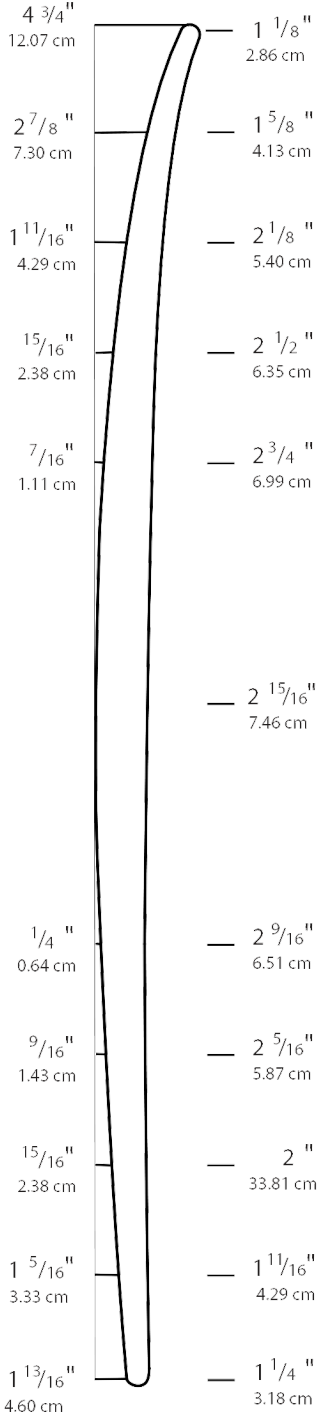
FISH/EGG

6'2" A

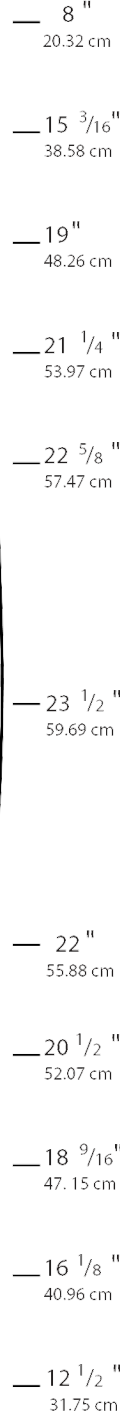
Designed by
PAT RAWSON

Introduced July 2006

ROCKER THICKNESS



WIDTH



Overall Bottom Length: 6'2 3/4" (189.87 cm)

Tip-to-Tip Deck Length: 6'2" (187.96 cm)

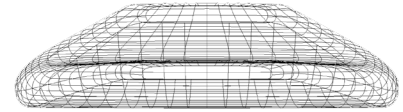
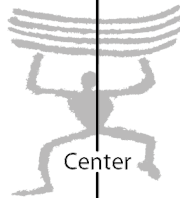
Max Width: 23 1/2" (59.69 cm)

Max Thickness: 2 15/16" (7.46 cm)

Displacement: 1.95 ft³ (55.1 L)

Natural Rocker: 4 3/4" N 1 13/16" T

USBlanks™
Solarmade in USA



"I designed this one to be able to easily net 6'1" by the bottom measurement for a shorter length contemporary, retro Fish or single fin design."

PAT RAWSON



SHORTBOARD

6'2"P

Designed by

TIMMY PATTERSON

Introduced July 2006

ROCKER

THICKNESS

WIDTH

4 7/16"
11.27 cm

2 1/2"
6.35 cm

1 1/2"
3.81 cm

1 3/16"
2.06 cm

3/8"
0.95 cm

5/16"
0.79 cm

5/8"
1.59 cm

1 1/16"
2.70 cm

1 5/8"
4.13 cm

2 1/4"
5.72 cm

3/4"
1.91 cm

1 1/4"
3.18 cm

1 5/8"
4.13 cm

2"
5.08 cm

2 1/4"
5.72 cm

2 1/2"
6.35 cm

2 3/8"
6.03 cm

2 3/16"
5.57 cm

1 7/8"
4.76 cm

1 3/8"
3.49 cm

1"
2.54 cm

4 1/2"
11.43 cm

10"
25.40 cm

14"
35.56 cm

16 3/4"
42.55 cm

18 5/8"
47.31 cm

20 1/2"
52.07 cm

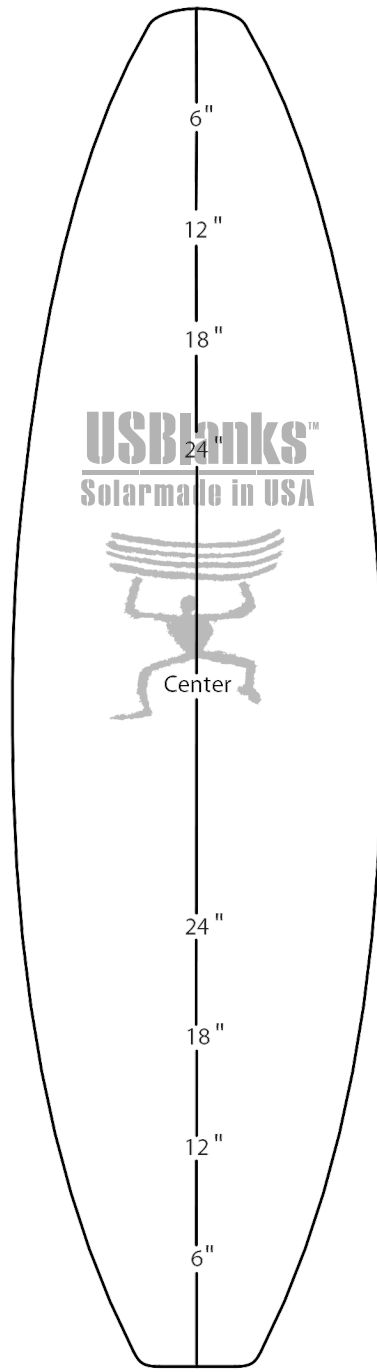
19 7/16"
49.37 cm

17 7/8"
45.40 cm

15 7/16"
39.21 cm

11 7/8"
30.16 cm

6 1/8"
15.58 cm



Overall Bottom Length: 6'2 1/2" (189.23 cm)

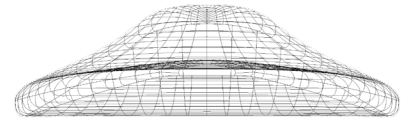
Tip-to-Tip Deck Length: 6'1 7/8" (187.64 cm)

Max Width: 20 1/2" (52.07 cm)

Max Thickness: 2 1/2" (6.35 cm)

Displacement: 1.31 ft³ (37.2 L)

Natural Rocker: 4 7/16"N 2 1/4"T



"This blank is designed for team boards and production shaping. It is a shorter version of the 6'7"P which has a little more thickness in the nose and tail than the original. A medium tolerance blank."

TIMMY PATTERSON



SHORTBOARD

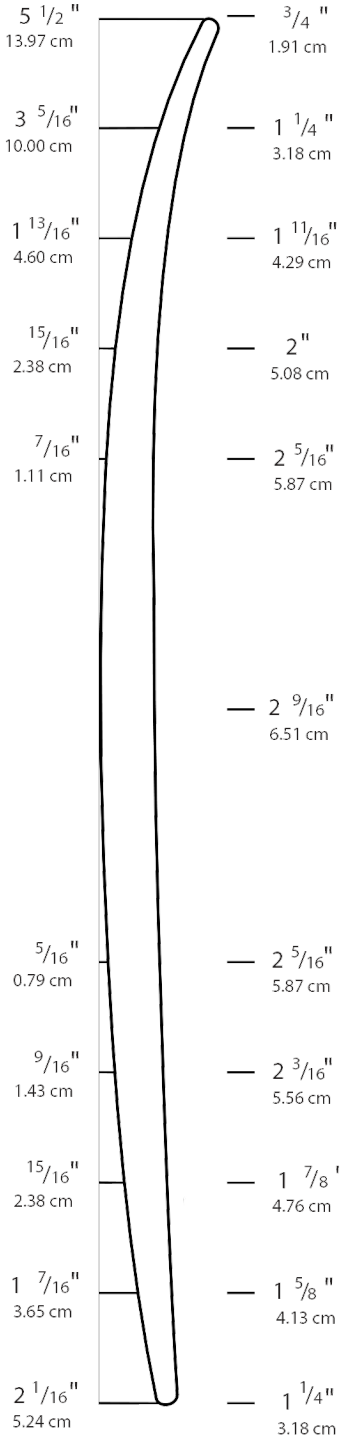
6'3"EA

Designed by

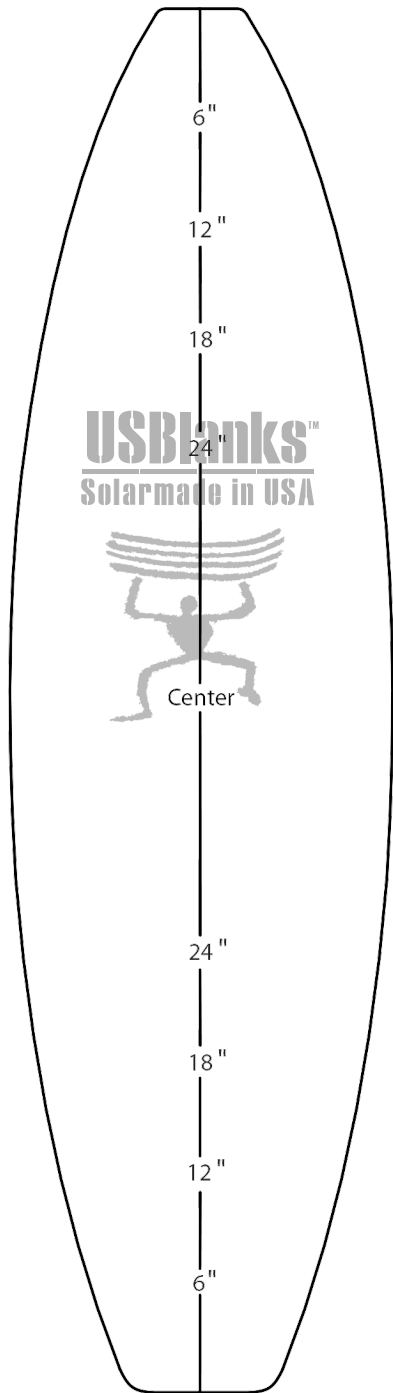
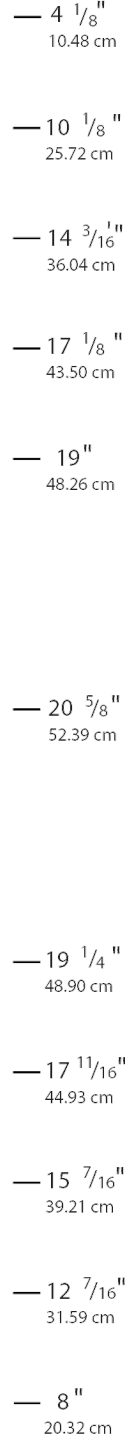
ERIC ARAKAWA

Introduced July 2006

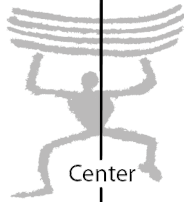
ROCKER THICKNESS



WIDTH



USBlanks™
Solarmade in USA



Center

Overall Bottom Length: 6'4 1/8" (193.36 cm)

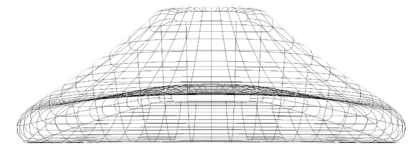
Tip-to-Tip Deck Length: 6'3 1/4" (191.14 cm)

Max Width: 20 5/8" (52.39 cm)

Max Thickness: 2 9/16" (6.51 cm)

Displacement: 1.38 ft³ (39.2 L)

Natural Rocker: 5 1/2"N 2 1/16" T



"Designed to be a versatile blank for boards 6'2" and under. I added a little nose width to accommodate most modern full nose shortboards. This is essentially a thinner version of the 6'4" EA."

ERIC ARAKAWA



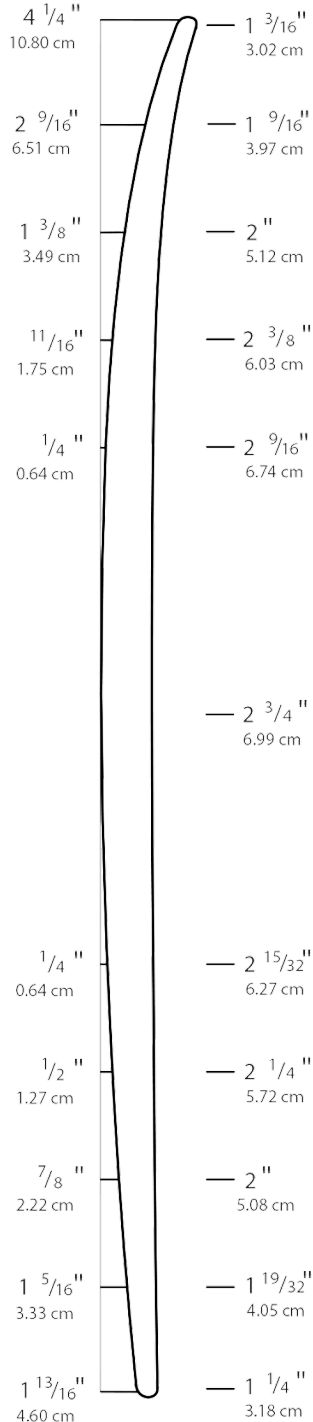
FISH/EGG

6'3"RP

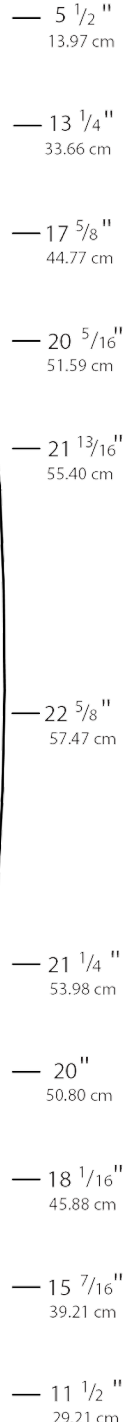
Designed by
RICH PAVEL

Introduced April 2020

ROCKER THICKNESS



WIDTH



Overall Bottom Length: 6'4 1/8" (193.36 cm)

Tip-to-Tip Deck Length: 6'3 1/2" (191.77 cm)

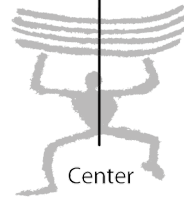
Max Width: 22 5/8" (57.47 cm)

Max Thickness: 2 3/4" (6.99 cm)

Displacement: 1.819 ft³ (57.47 L)

Natural Rocker: 4 1/4"N 1 13/16"T

USBlanks™
Solarmade in USA



Center

"A high tolerance, low volume design; optimizing US Blanks 2.0 formulation. The RP series is well informed drawing upon surfing's finest designs minds. This 6'3RP design plays an important role in the current generation of shapers emerging while bringing surfing's next era. A slice of heaven for hand-shapers everywhere; this one's for you. Enjoy!"

RICH PAVEL



SHORTBOARD

6'4"EA

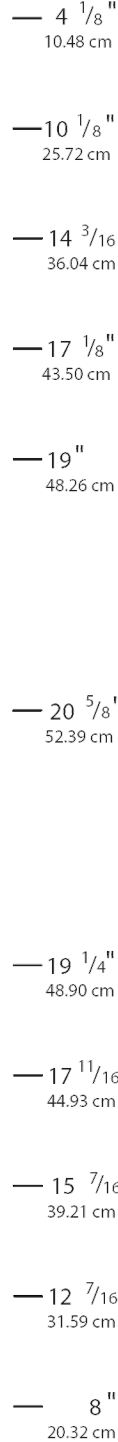
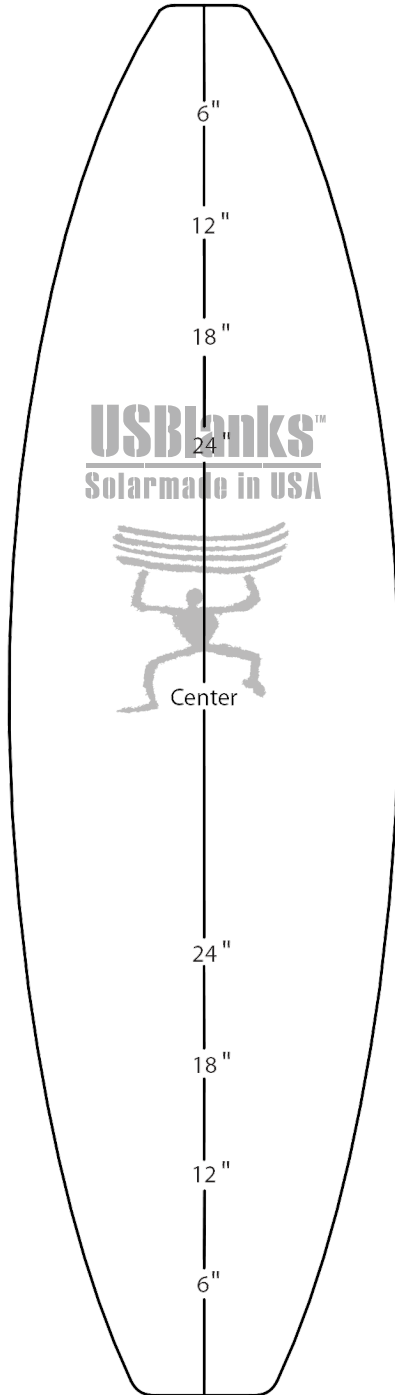
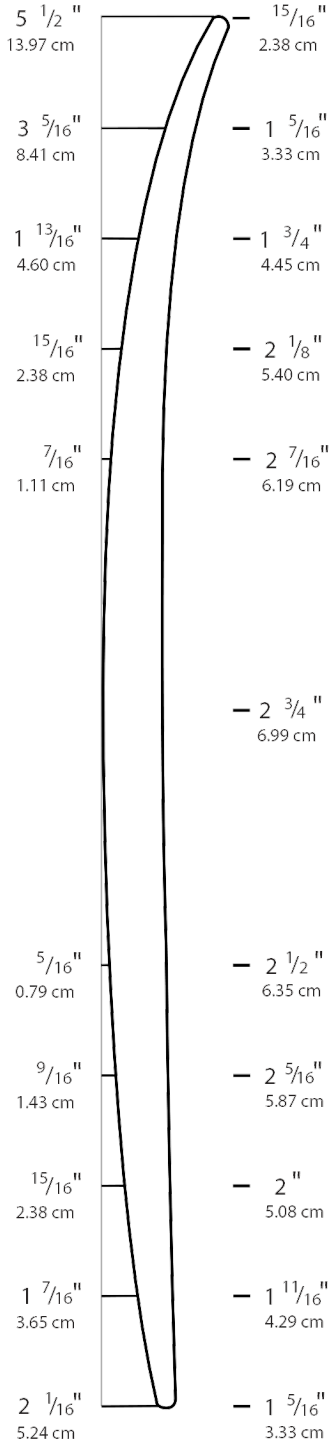
Designed by
ERIC ARAKAWA

Introduced July 2006

ROCKER

THICKNESS

WIDTH



Overall Bottom Length: 6'4 1/4" (193.66 cm)

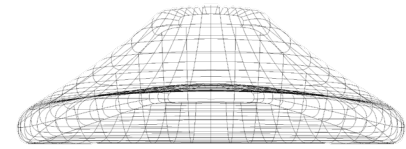
Tip-to-Tip Deck Length: 6'3 1/2" (191.77 cm)

Max Width: 20 5/8" (52.39 cm)

Max Thickness: 2 3/4" (6.99 cm)

Displacement: 1.49 ft³ (42.3 L)

Natural Rocker: 5 1/2"N 2 1/16" T



"Designed to be a versatile blank for boards 6'2" and under. I added a little nose width to accommodate most modern full nose shortboards. It also accommodates machine shapes."

ERIC ARAKAWA



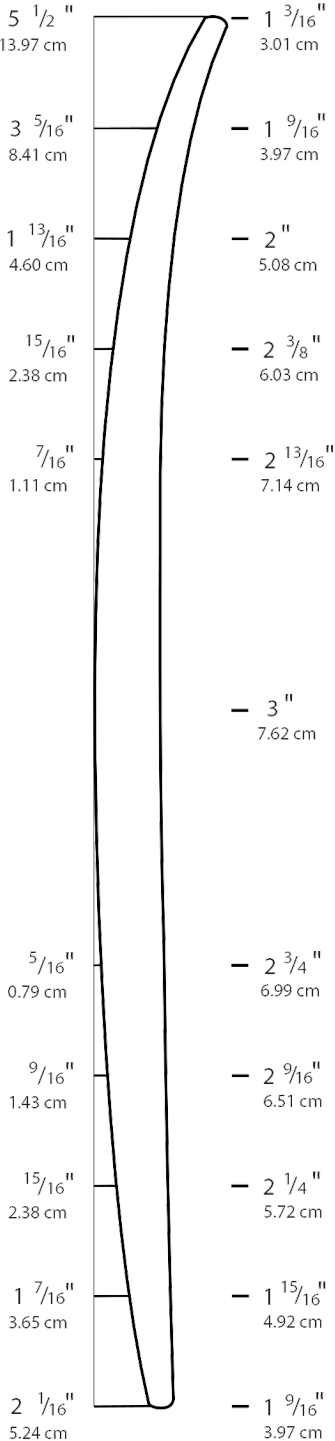
SHORTBOARD

6'4" EAX

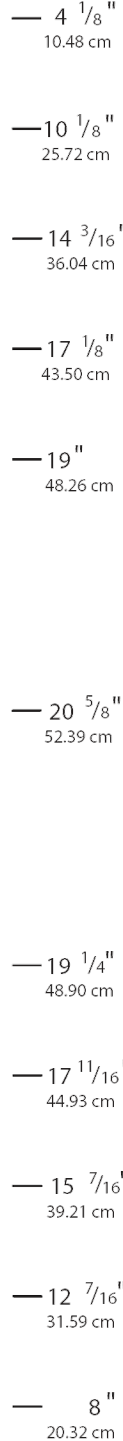
Designed by
ERIC ARAKAWA

Introduced July 2006

ROCKER THICKNESS



WIDTH



Overall Bottom Length: 6'4 1/4" (193.66 cm)

Tip-to-Tip Deck Length: 6'3 1/2" (191.77 cm)

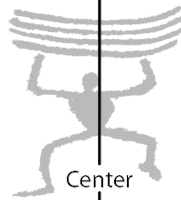
Max Width: 20 5/8" (52.39 cm)

Max Thickness: 3" (7.62 cm)

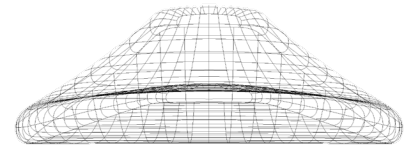
Displacement: 1.646 ft³ (46.61 L)

Natural Rocker: 5 1/2"N 2 1/16" T

USBlanks™
Solarmade in USA



Center



"This is the 1/4" thicker version of the 6'4"EA. Designed to be a versatile blank for boards 6'2" and under. I added a little nose width to accommodate most modern full nose shortboards. It also accommodates machine shapes."

ERIC ARAKAWA



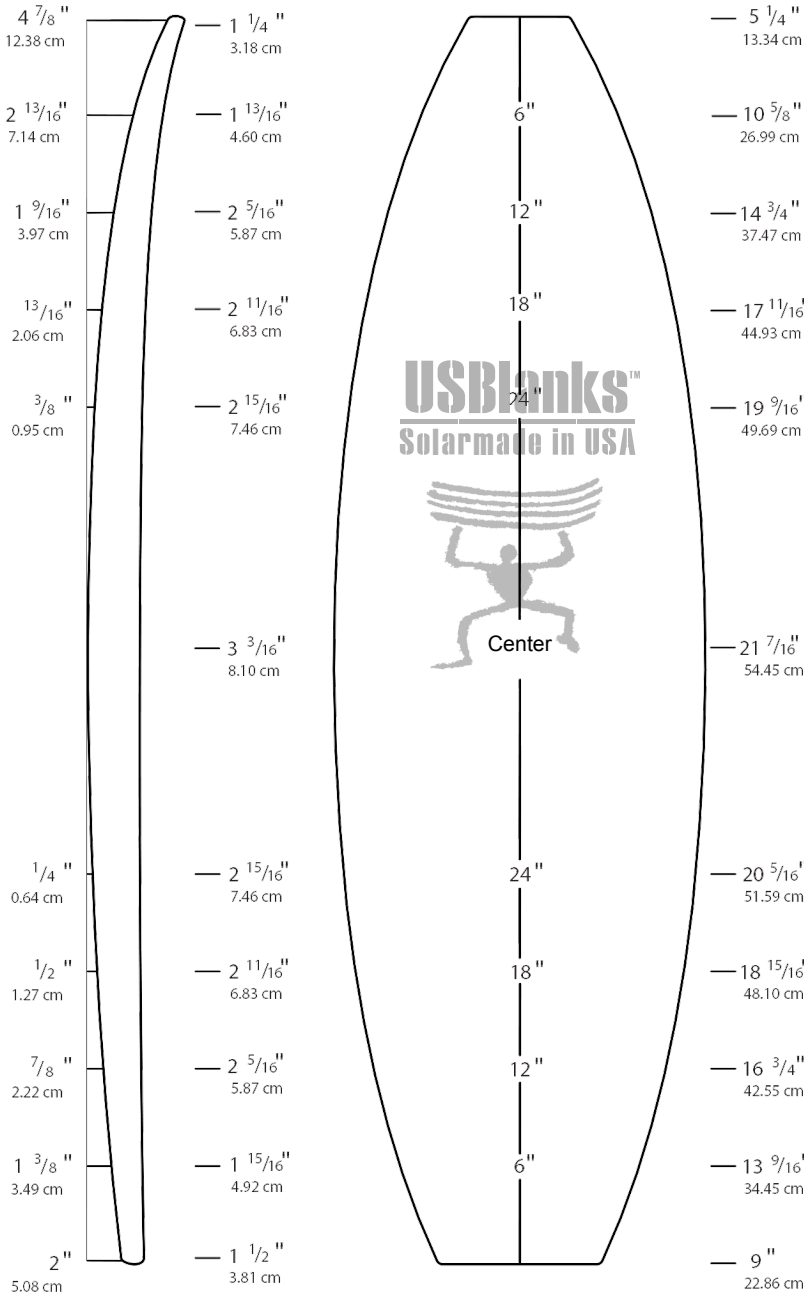
SHORTBOARD

6'4"MB

Designed by
MATT BIOLOS

Introduced January 2016

ROCKER THICKNESS WIDTH



Overall Bottom Length: 6'4 7/8" (195.26 cm)

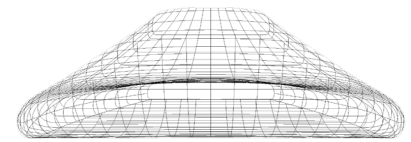
Tip-to-Tip Deck Length: 6'4 1/8" (193.36 cm)

Max Width: 21 7/16" (54.45 cm)

Max Thickness: 3 3/16" (8.10 cm)

Displacement: 1.836 ft³ (52.0 L)

Natural Rocker: 4 7/8"N 2"T



"This blank fills the volume gap between the 6'4"EA & 6'5"R. Ideal for grovelers and thicker Shortboards, the blank features more subtle nose and tail rocker and enough thickness to fit a wide variety of modern Shortboard needs."

MATT BIOLOS



FISH/EGG

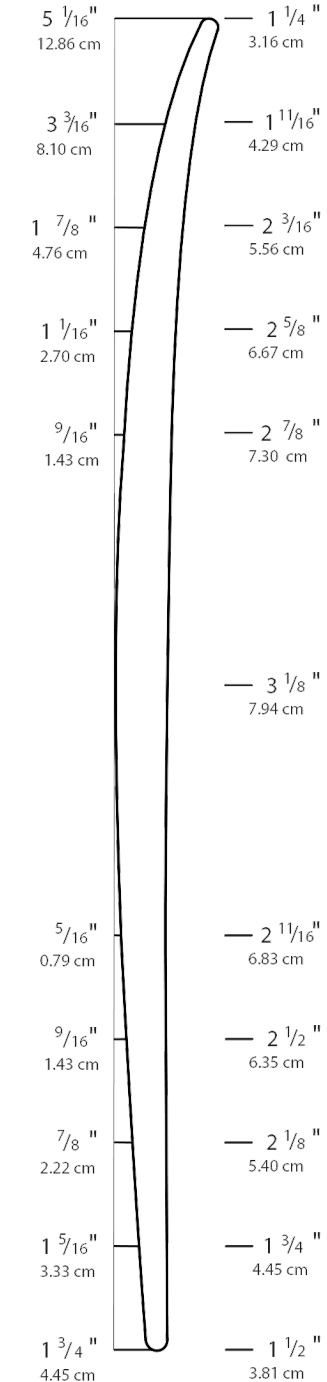
6'5" A

Designed by

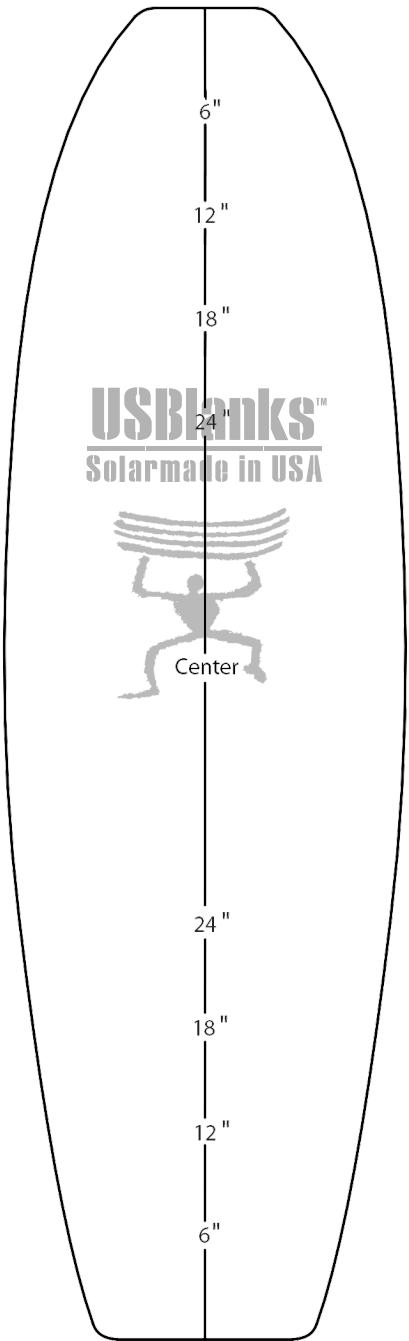
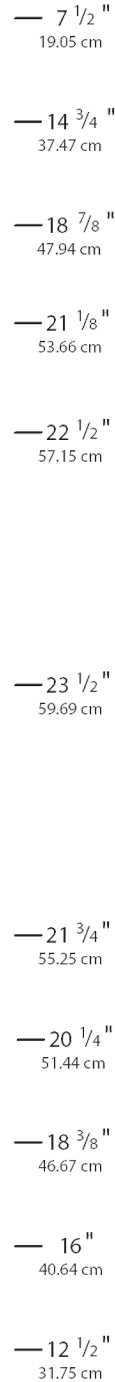
PAT RAWSON

Introduced July 2006

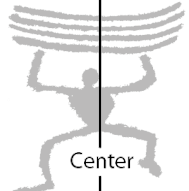
ROCKER THICKNESS



WIDTH



USBlanks™
Solarmade in USA



Overall Bottom Length: 6'5 1/2" (196.85 cm)

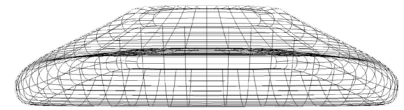
Tip-to-Tip Deck Length: 6'4 7/8" (195.26 cm)

Max Width: 23 1/2" (59.69 cm)

Max Thickness: 3 1/8" (7.94 cm)

Displacement: 2.15 ft³ (60.9 L)

Natural Rocker: 5 1/16"N 1 3/4"T



"This is the longer version of my 6'2" A. It easily nets 6'4" by the bottom measurement for a shorter mid length contemporary, a retro Fish, or a single-fin design."

PAT RAWSON



SHORTBOARD

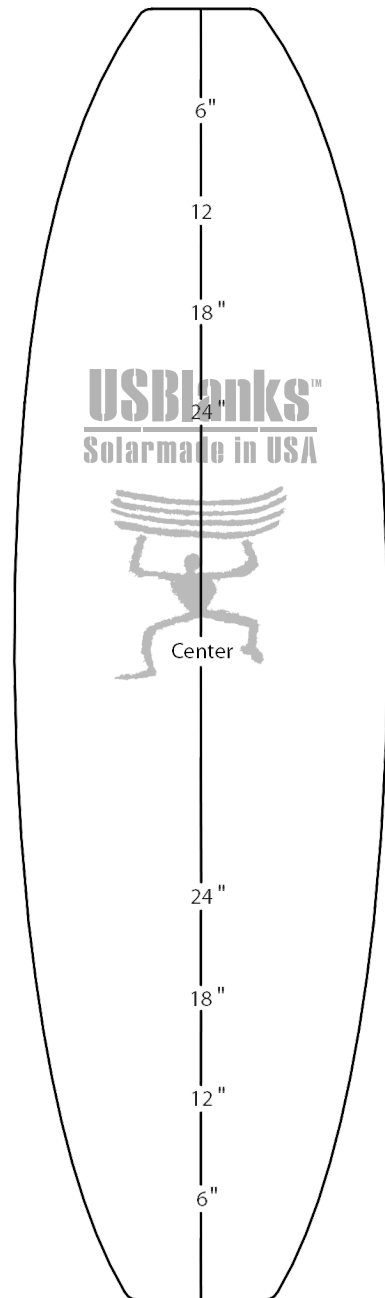
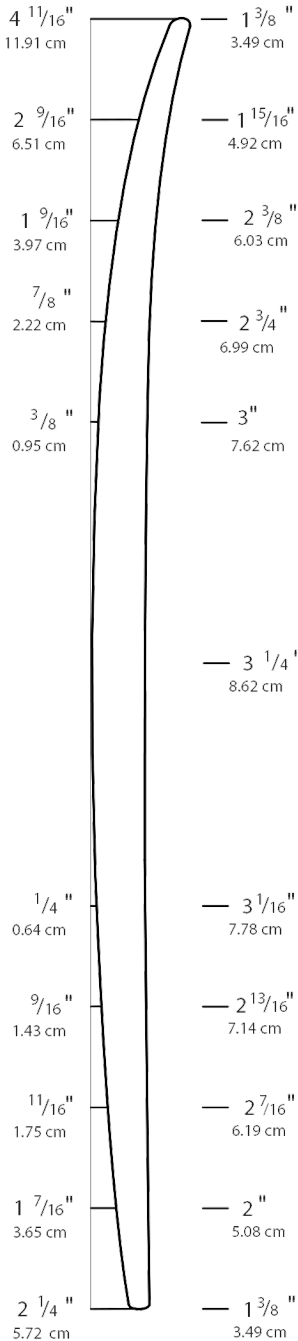
6'5"R

Designed by

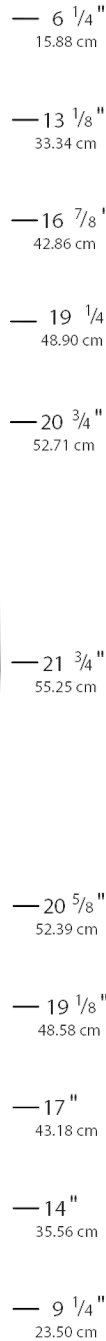
RUSTY PREISENDORFER

Introduced April 2011

ROCKER THICKNESS



WIDTH



Overall Bottom Length: 6'5 1/2" (196.85 cm)

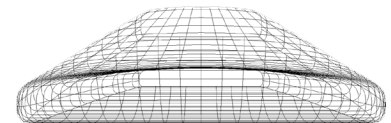
Tip-to-Tip Deck Length: 6'4 3/4" (194.95 cm)

Max Width: 21 3/4" (55.25 cm)

Max Thickness: 3 1/4" (8.26 cm)

Displacement: 1.98 ft³ (56.0 L)

Natural Rocker: 4 11/16"N 2 1/4"T



"This is the larger version of the 6'0"R. Designed to be a versatile blank for shorter, wider, relaxed rockered boards; somewhere between a Fish and a performance Shortboard with added volume under the chest. The semi-flat deck and thicker nose and tail provide a wide range of design options."

RUSTY PREISENDORFER



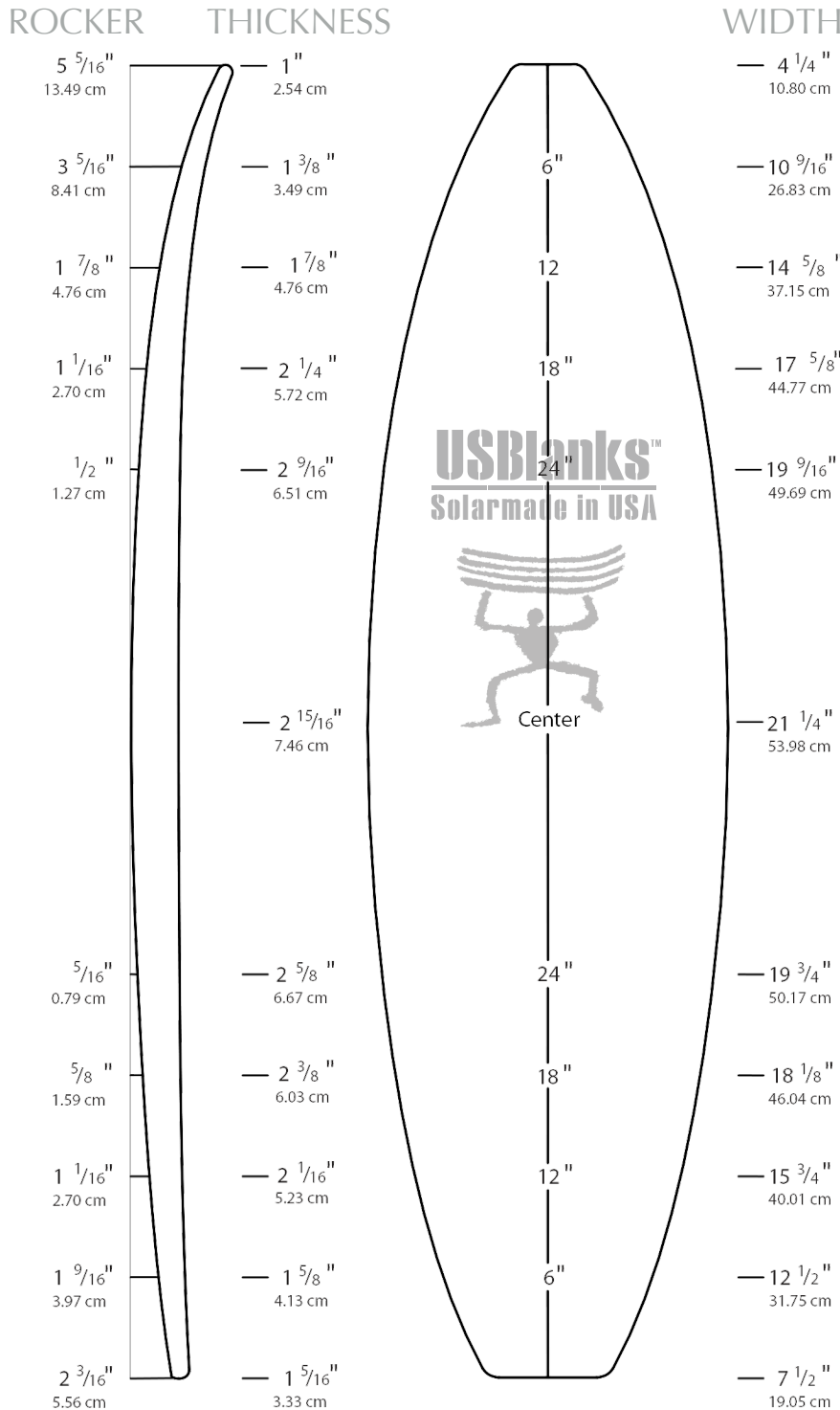
SHORTBOARD

6'6"EA

Designed by

ERIC ARAKAWA

Introduced July 2006



Overall Bottom Length: 6'6 1/8" (198.44 cm)

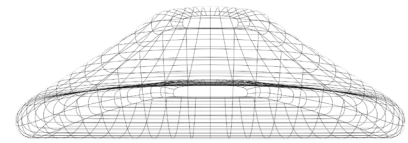
Tip-to-Tip Deck Length: 6'5 3/8" (196.22 cm)

Max Width: 21 1/4" (53.98 cm)

Max Thickness: 2 15/16" (7.46 cm)

Displacement: 1.65 ft³ (46.7 L)

Natural Rocker: 5 5/16"N 2 3/16"T



"This blank is intended for high-performance shortboard designs between 6'2" and 6'5" in length. It was designed in concert with the 6'4"EA and 6'9"EA."

ERIC ARAKAWA



SHORTBOARD

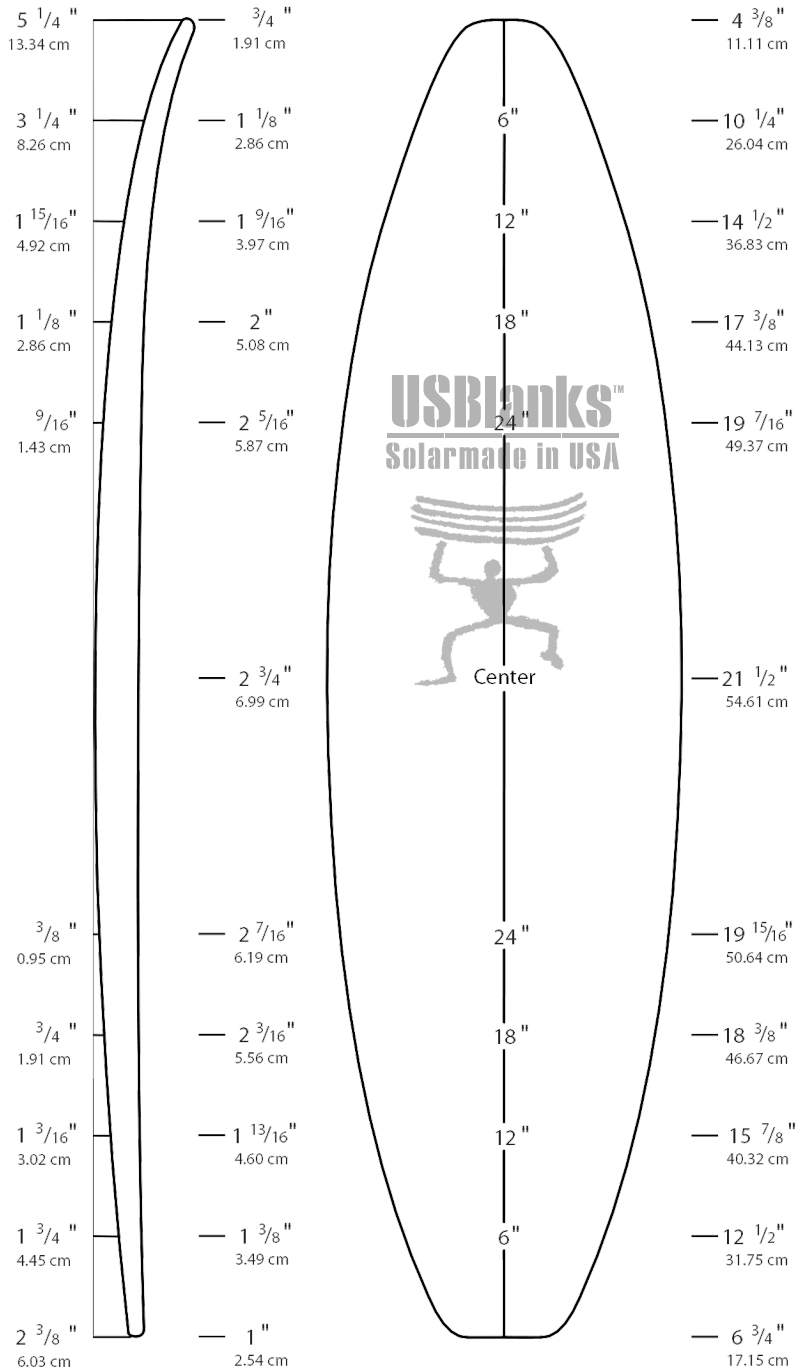
6'7" P

Designed by
TIMMY PATTERSON

Introduced July 2006

ROCKER THICKNESS

WIDTH



Overall Bottom Length: 6'7 1/8" (200.66 cm)

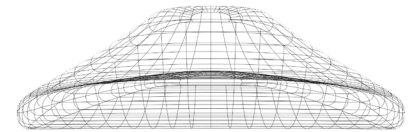
Tip-to-Tip Deck Length: 6'6 1/2" (198.76 cm)

Max Width: 21 1/2" (54.61 cm)

Max Thickness: 2 3/4" (6.99 cm)

Displacement: 1.54 ft³ (43.6 L)

Natural Rocker: 5 1/4"N 2 3/8"T



"This blank was designed for team boards and production shaping. It has a little more thickness in the nose and tail than the original 6'6" P. It's a medium tolerance blank."

TIMMY PATTERSON



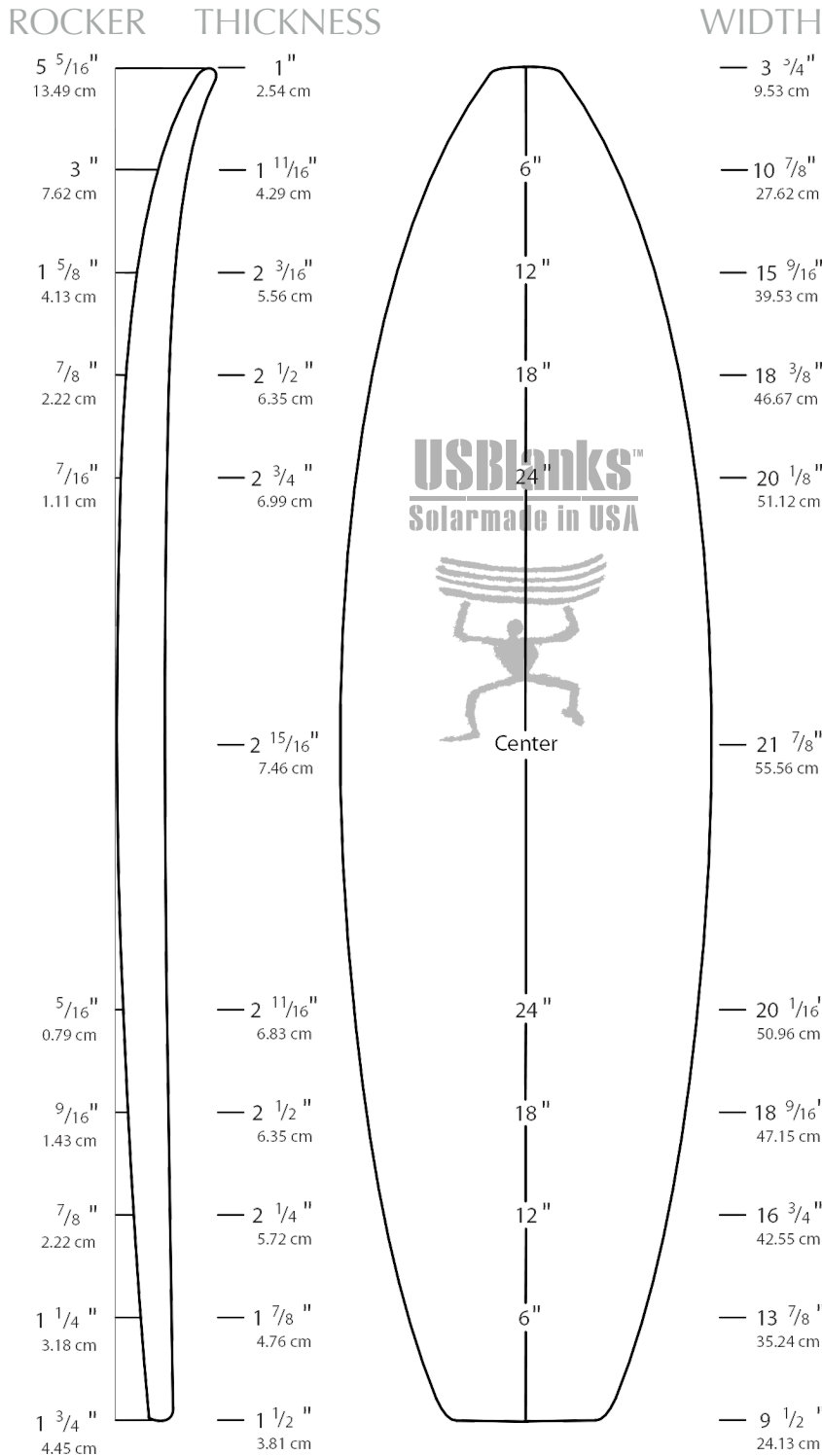
SHORTBOARD

6'8" A

Designed by

PAT RAWSON

Introduced July 2006



Overall Bottom Length: 6'7 3/4" (202.57 cm)

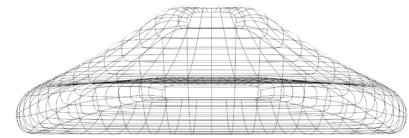
Tip-to-Tip Deck Length: 6'7" (200.66 cm)

Max Width: 21 7/8" (55.56 cm)

Max Thickness: 2 15/16" (7.46 cm)

Displacement: 1.95 ft³ (55.3 L)

Natural Rocker: 5 5/16"N 1 3/4"T



"I have listened to many shaper's feedback over the years on this blank. The slightly wider outline allows for board designs ranging from Shortboards to Fun shapes. The Natural Rocker is good for vee tail and contour nose shapes. The Hawaii Rocker can be used for high-performance designs."

PAT RAWSON



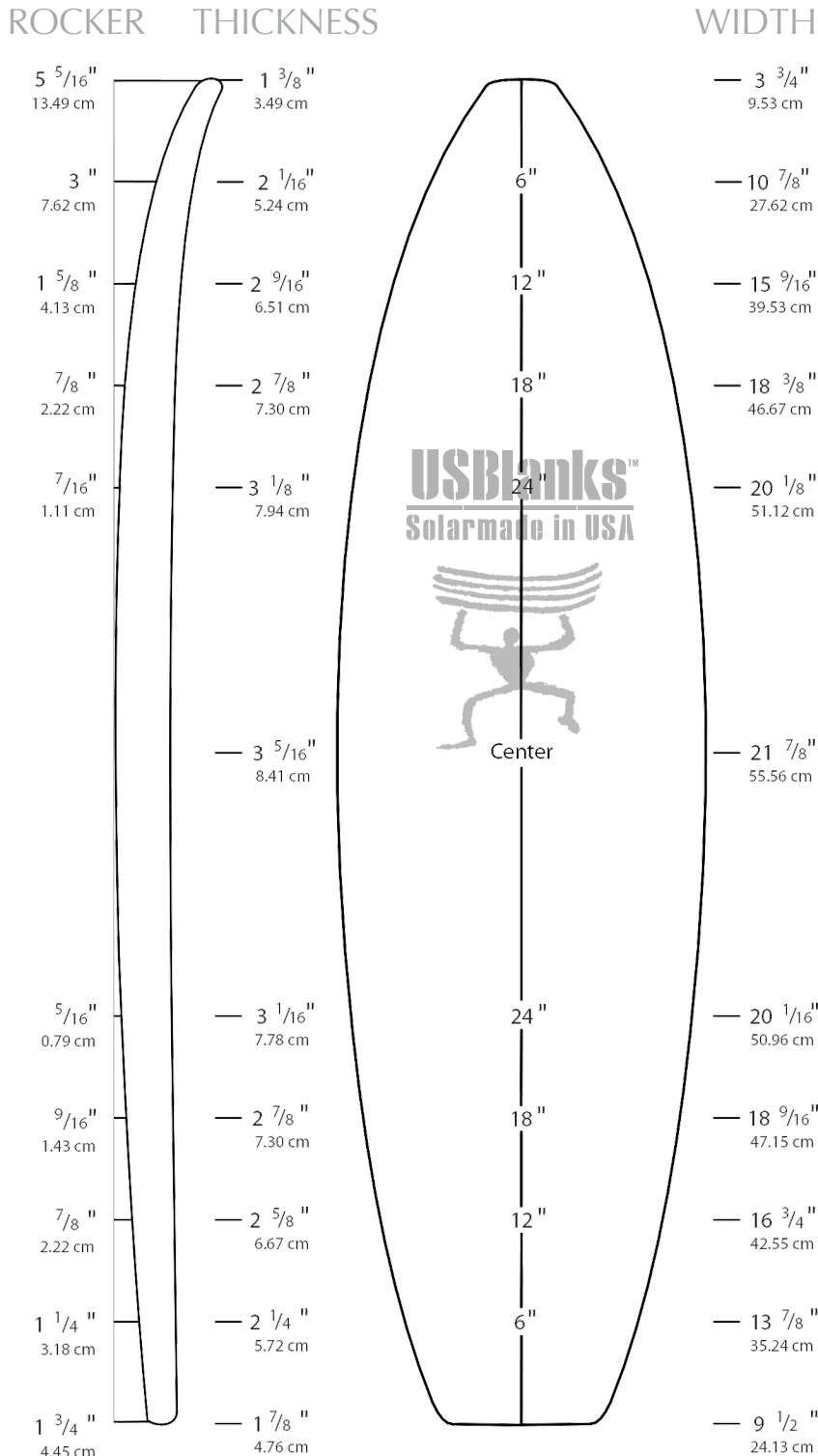
SHORTBOARD

6'8" AX

Designed by

PAT RAWSON

Introduced July 2006



Overall Bottom Length: 6'7 3/4" (202.57 cm)

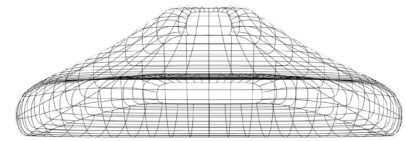
Tip-to-Tip Deck Length: 6'7" (200.66 cm)

Max Width: 21 7/8" (55.56 cm)

Max Thickness: 3 15/16" (8.41 cm)
6'8" A with 3/8" added thickness overall

Displacement: 2.24 ft³ (63.5 L)

Natural Rocker: 5 5/16" N 1 3/4" T



"This is the 3'8" thicker version than the 6'8" A. I have listened to many shaper's feedback over the years on this blank. The slightly wider outline allows for board designs ranging from Shortboards to Fun shapes. The Natural Rocker is good for vee tail and contour nose shapes. The Hawaii Rocker can be used for high-performance designs."

PAT RAWSON



SHORTBOARD

6'8"P

Designed by

TIMMY PATTERSON

Introduced July 2006

ROCKER

THICKNESS

WIDTH

5 1/16"
12.86 cm

3 1/16"
7.78 cm

1 13/16"
4.60 cm

1"
2.54 cm

1/2"
1.27 cm

3/8"
0.95 cm

11/16"
1.75 cm

1 1/8"
2.86 cm

1 5/8"
4.13 cm

2 3/16"
5.56 cm

7/8"
2.22 cm

1 3/16"
3.02 cm

1 11/16"
1.69 cm

2 1/16"
5.24 cm

2 3/8"
6.03 cm

2 3/4"
6.99 cm

2 7/16"
6.19 cm

2 3/16"
5.56 cm

1 7/8"
4.76 cm

1 1/2"
3.81 cm

1"
2.54 cm

6"

12"

18"

24"

Center

24"

18"

12"

6"

USBlanks™
Solarmade in USA



Center

4 1/2"
11.43 cm

10 1/2"
26.67 cm

14 1/2"
36.83 cm

17 1/4"
43.82 cm

19 1/4"
48.90 cm

21 3/8"
54.29 cm

19 3/4"
50.17 cm

18 3/16"
46.19 cm

15 11/16"
39.85 cm

12 1/16"
30.64 cm

6 1/2"
16.51 cm

Overall Bottom Length: 6'7 1/2" (201.93 cm)

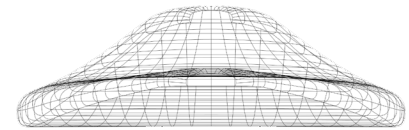
Tip-to-Tip Deck Length: 6'6" (200.03 cm)

Max Width: 21 3/8" (54.29 cm)

Max Thickness: 2 3/4" (6.99 cm)

Displacement: 1.57 ft³ (44.4 L)

Natural Rocker: 5 1/16"N 2 3/16"T



"This blank is designed for team boards and production shaping. It's slightly narrower and longer than the 6'7"P but with matching thicknesses. It's a medium tolerance blank."

TIMMY PATTERSON



FISH/EGG

6'8"RP

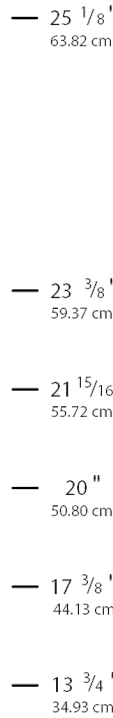
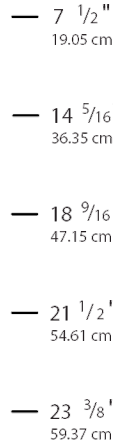
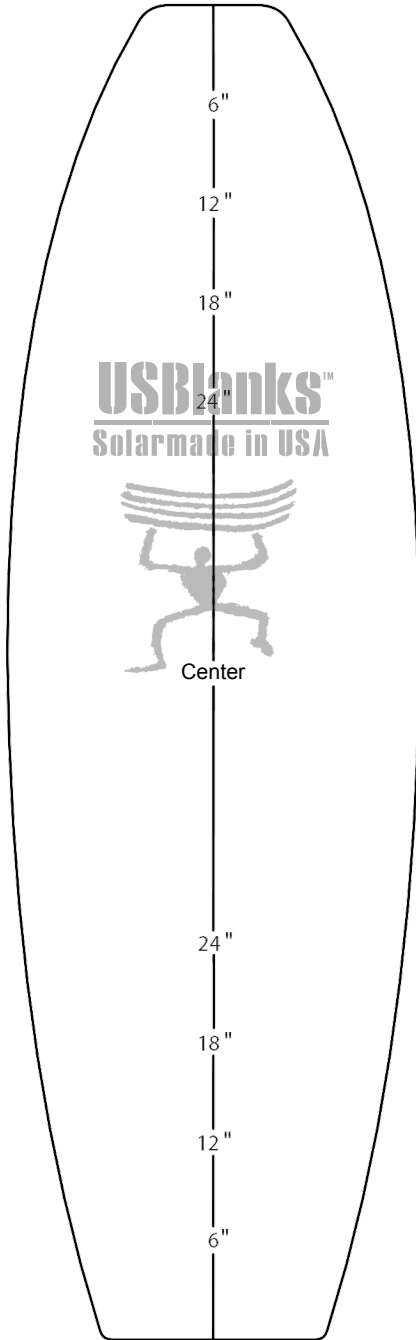
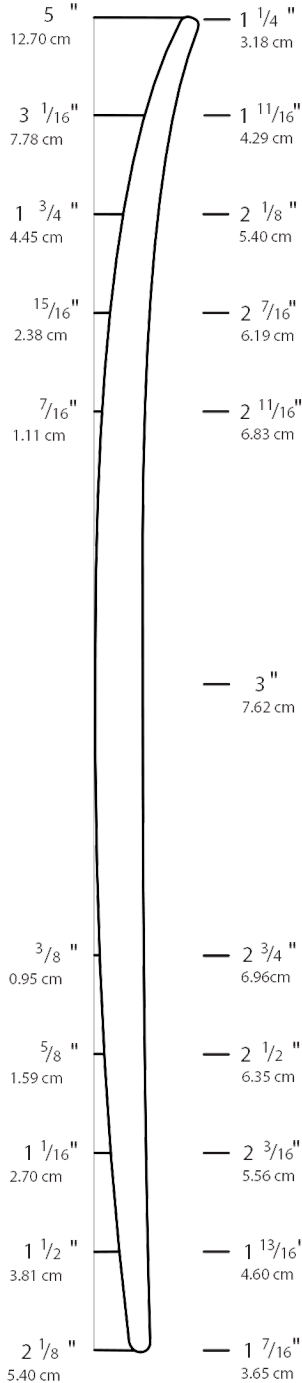
Designed by

RICH PAVEL

Introduced November 2008

ROCKER THICKNESS

WIDTH



Overall Bottom Length: 6'9 1/2" (207.01 cm)

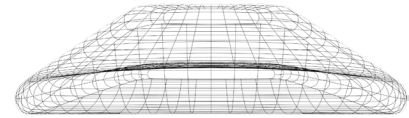
Tip-to-Tip Deck Length: 6'8 3/4" (205.11 cm)

Max Width: 25 1/8" (63.82 cm)

Max Thickness: 3" (7.62 cm)

Displacement: 2.25 ft³ (63.8 L)

Natural Rocker: 5"N 2 1/8"T



"Very versatile and designed with input from some of surfing's best design minds. The 6'8"RP is influenced by a universal rocker and timeless profiles. This blank accommodates the trend to ride shorter, fuller volume boards. It also provides enough volume for new levels of self-expression for shapers. Excellent contemporary Lis Fish. Big brother to the 5'10"RP."

RICH PAVEL

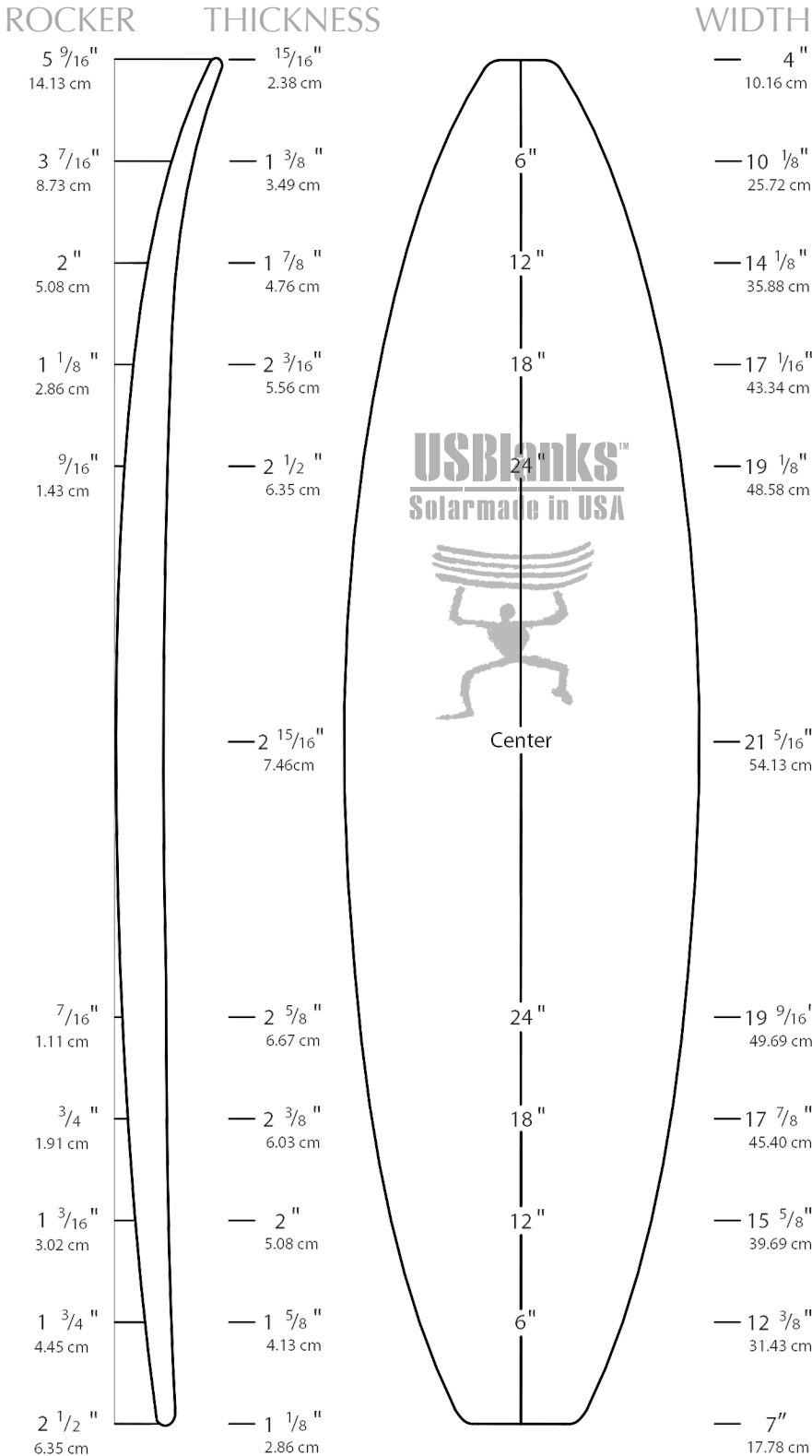
SHORTBOARD

6'9"EA

Designed by

ERIC ARAKAWA

Introduced July 2006



Overall Bottom Length: 6'9" (205.74 cm)

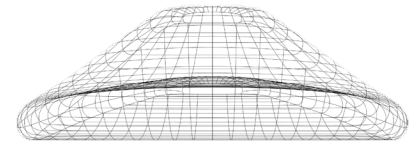
Tip-to-Tip Deck Length: 6'8" (203.20 cm)

Max Width: 21 5/16" (54.13 cm)

Max Thickness: 2 15/16" (7.46 cm)

Displacement: 1.71 ft³ (48.3 L)

Natural Rocker: 5 9/16"N 2 1/2"T



"This blank is designed to yield most modern Shortboard designs. The thicker nose and tail give it added versatility for machining. I designed the rocker and foil to accommodate low and full rocker designs."

ERIC ARAKAWA



SHORTBOARD

6'9"R

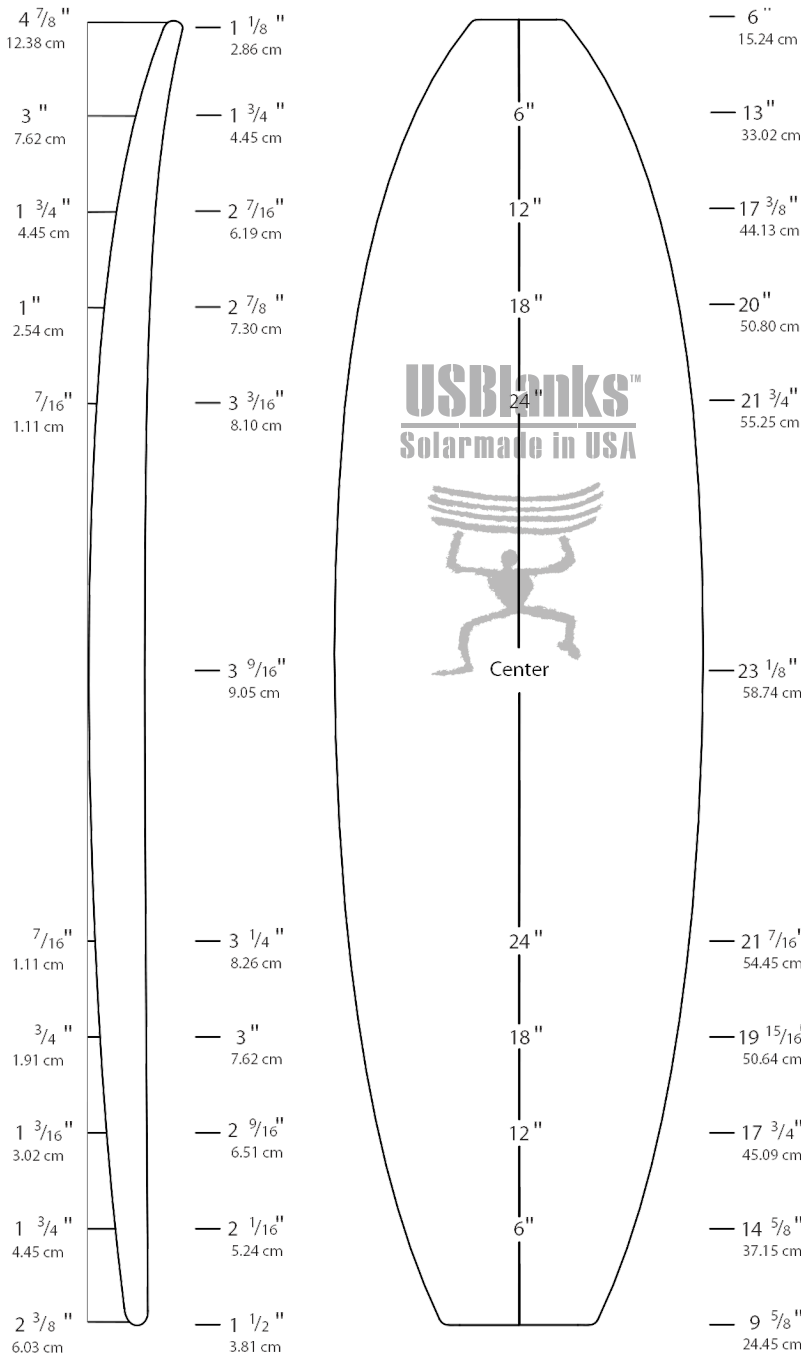
Designed by
RUSTY PREISENDORFER

Introduced July 2006

ROCKER

THICKNESS

WIDTH



Overall Bottom Length: 6'10 1/4" (208.92 cm)

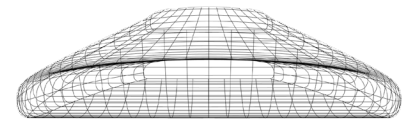
Tip-to-Tip Deck Length: 6'9 5/8" (207.33 cm)

Max Width: 23 1/8" (58.74 cm)

Max Thickness: 3 9/16" (9.05 cm)

Displacement: 2.406 ft³ (68.1 L)

Natural Rocker: 4 7/8"N 2 3/8"T



"The big brother to the 6'5"R to cover models in the upper size range.

Designed to be a versatile blank for short, wider, relaxed rockered boards; somewhere between a Fish and a performance Shortboard, with added volume under the chest. The semi-flat deck and thicker nose and tail provide a wide range of options.

RUSTY PREISENDORFER



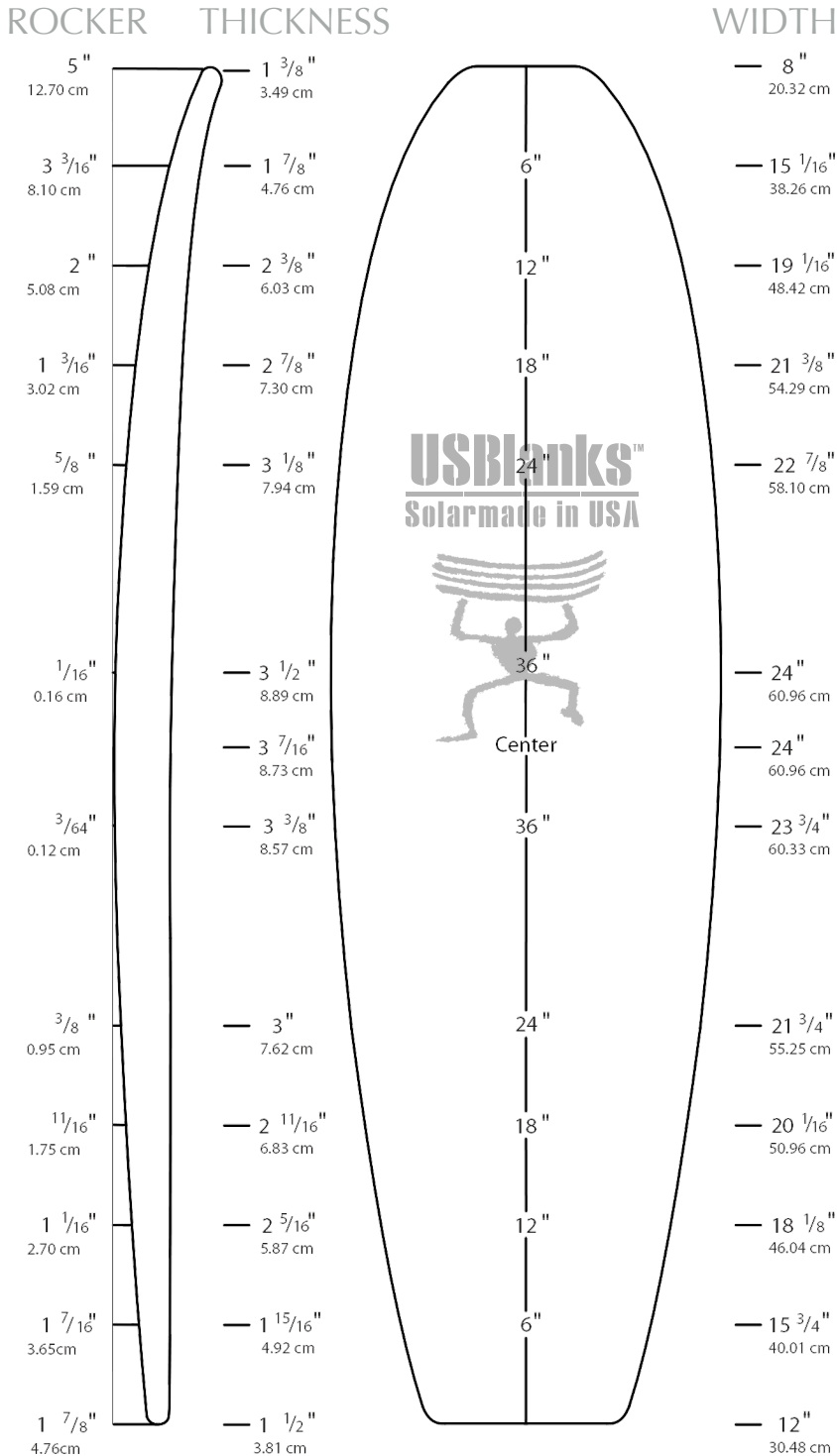
FISH/EGG

6'10" A

Designed by

PAT RAWSON

Introduced July 2006



Overall Bottom Length: 6'10" (208.28 cm)

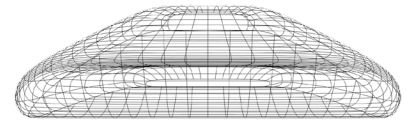
Tip-to-Tip Deck Length: 6'9 1/2" (207.01 cm)

Max Width: 24" (60.96 cm)

Max Thickness: 3 1/2" (8.89 cm)

Displacement: 2.52 ft³ (71.4 L)

Natural Rocker: 5"N 1 7/8"T



"This is my big guy Fish blank, designed to be able to easily net a 6'9" bottom measurement. Ideal for 6'5" to 6'9" length contemporary, retro Fish or single fin design."

PAT RAWSON



SHORTBOARD

7'0" A

Designed by

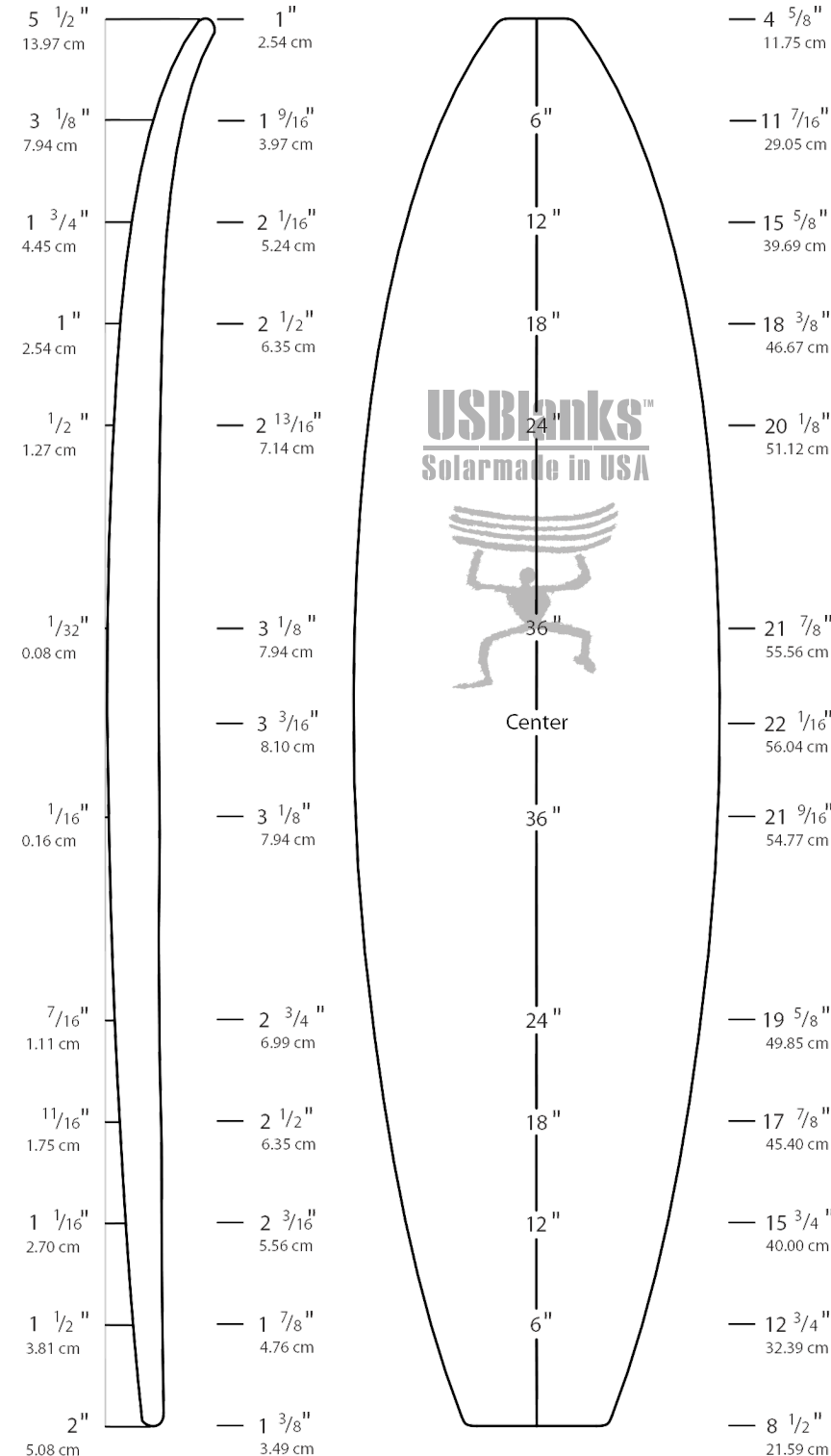
PAT RAWSON

Introduced July 2006

ROCKER

THICKNESS

WIDTH



Overall Bottom Length: 6'11 1/2" (212.09 cm)

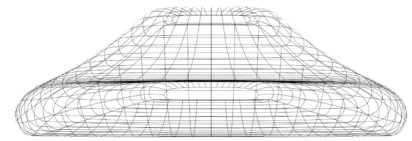
Tip-to-Tip Deck Length: 6'10 3/4" (210.19 cm)

Max Width: 22 1/8" (56.20 cm)

Max Thickness: 3 3/16" (8.10 cm)

Displacement: 2.12 ft³ (60.0 L)

Natural Rocker: 5 1/2"N 2"T



"The slightly wider outline allows for board designs ranging from bigger guy Shortboards to fun shapes. The Natural Rocker is good for vee in the tail and contoured bottom designs. The Hawaii Rocker can be used for high performance styles."

PAT RAWSON



SHORTBOARD

7'1" A

Designed by

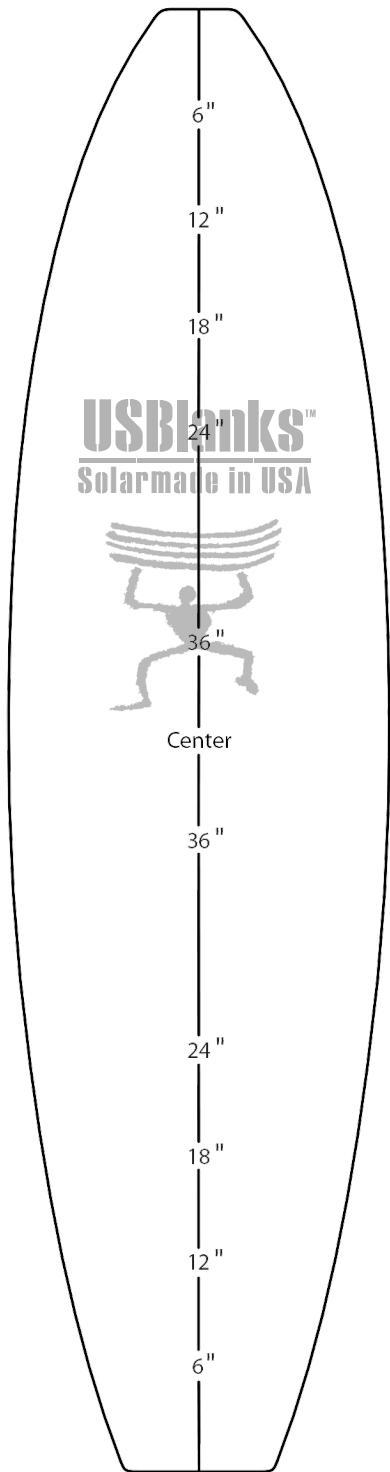
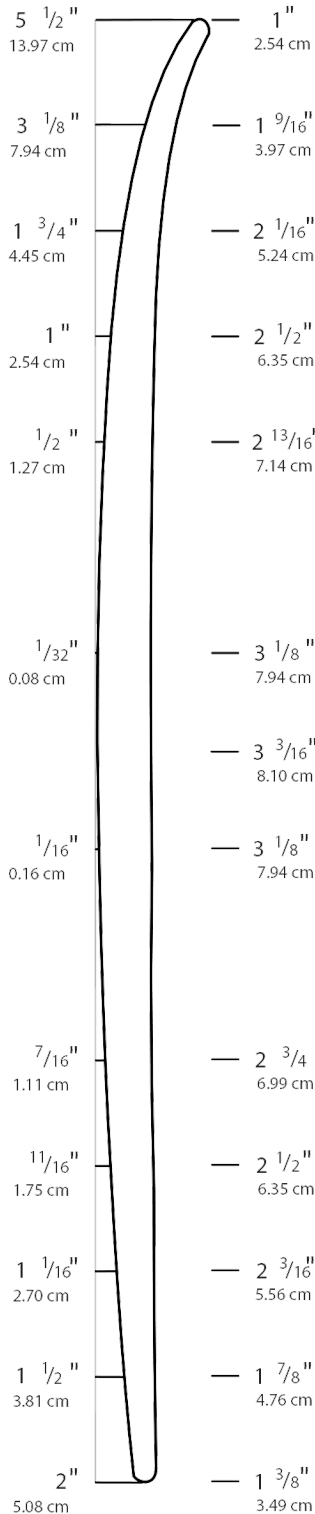
PAT RAWSON

Introduced July 2006

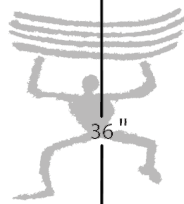
ROCKER

THICKNESS

WIDTH



USBlanks™
Solarmade in USA



Center

Overall Bottom Length: 7'0 7/8" (215.58 cm)

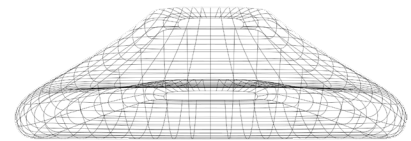
Tip-to-Tip Deck Length: 6'11" (213.04 cm)

Max Width: 22 3/16" (56.36 cm)

Max Thickness: 3" (7.62 cm)

Displacement: 2.05 ft³ (58.1 L)

Natural Rocker: 5 11/16" N 2 1/16" T



"About 3/16" thinner than the 7'0"A, this can net a 6'11" bottom length. The Natural Rocker is good for vee in the tail and contoured bottom designs.

The Hawaii Rocker can be used in high performance styles. I personally like the 7'2"EA bottom curve glued-up with this one for a flatter deck design.

PAT RAWSON



FUNBOARD

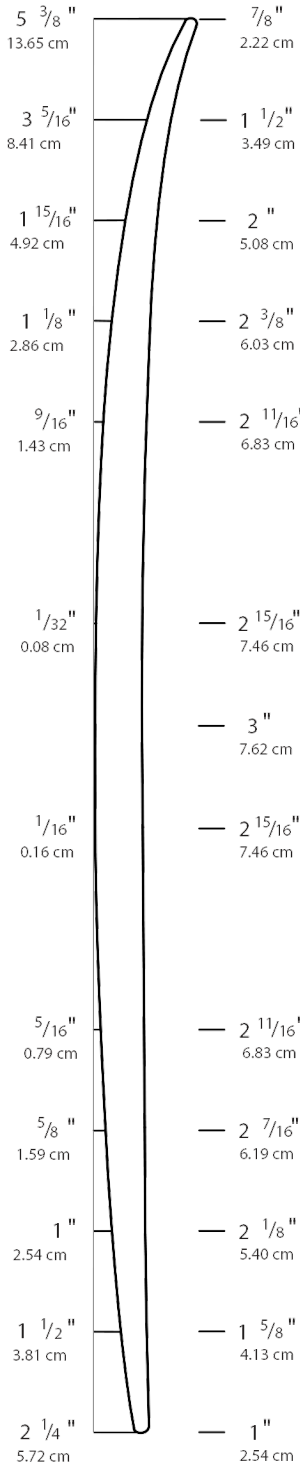
7'1"EA

Designed by

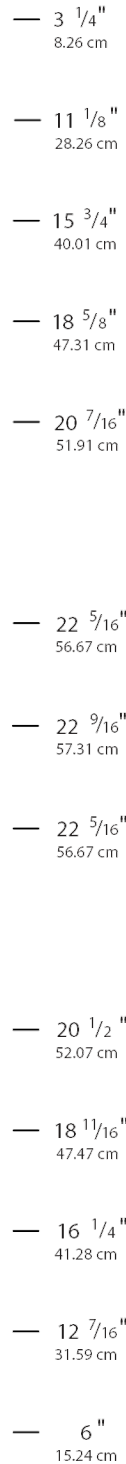
ERIC ARAKAWA

Introduced July 2006

ROCKER THICKNESS



WIDTH



Overall Bottom Length: 7'0 1/2" (214.63 cm)

Tip-to-Tip Deck Length: 6'11 3/4" (212.73 cm)

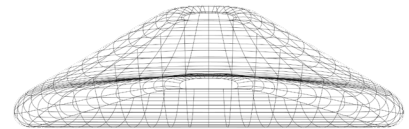
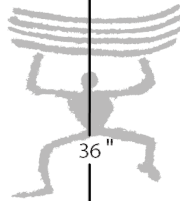
Max Width: 22 9/16" (57.31 cm)

Max Thickness: 3" (7.62 cm)

Displacement: 1.93 ft³ (54.6 L)

Natural Rocker: 5 3/8"N 2 1/4"T

USBlanks™
Solarmade in USA



"The slightly wider outline allows for board designs ranging from bigger guy Shortboards to fun shapes. The Natural Rocker is good for vee in the tail and contoured bottom designs. The Hawaii Rocker can be used for high performance styles."

PAT RAWSON



GUN

7'2"EA

Designed by

ERIC ARAKAWA

Introduced April 2006

ROCKER

THICKNESS

WIDTH

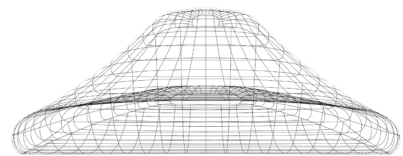
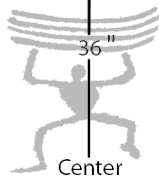
6 1/16" 15.40 cm
3 7/8" 9.84 cm
2 5/16" 5.87 cm
1 1/4" 3.18 cm
5/8" 1.59 cm
1/16" 0.16 cm
1/16" 0.16 cm
1/2" 1.27 cm
13/16" 2.06 cm
1 5/16" 3.33 cm
1 15/16" 4.92 cm
2 9/16" 6.51 cm

15/16" 2.38 cm
1 5/16" 3.33 cm
1 13/16" 4.60 cm
2 1/4" 5.72 cm
2 9/16" 6.51 cm
2 7/8" 7.30 cm
2 15/16" 7.46 cm
2 7/8" 7.30 cm
2 5/8" 6.67 cm
2 3/8" 6.03 cm
2 1/16" 5.24 cm
1 11/16" 4.29 cm
1 3/8" 3.49 cm

6"
12"
18"
24"
36"
Center
36"
24"
18"
12"
6"

3 1/2" 8.89 cm
9 1/4" 23.50 cm
13 1/4" 33.66 cm
16 1/4" 41.28 cm
18 9/16" 47.15 cm
21 3/16" 53.82 cm
21 5/8" 54.93 cm
21 7/16" 54.45 cm
19 3/8" 49.21 cm
17 9/16" 44.61 cm
15 1/4" 38.74 cm
11 15/16" 30.32 cm
6 1/4" 15.88 cm

USBlanks™
Solarmade in USA



Overall Bottom Length: 7'2 1/2" (219.71 cm)

Tip-to-Tip Deck Length: 7'1 7/8" (218.12 cm)

Max Width: 21 5/8" (54.93 cm)

Max Thickness: 2 15/16" (7.46 cm)

Displacement: 1.89 ft³ (53.4 L)

Natural Rocker: 6 1/16"N 2 9/16"T

"This blank is a versatile high performance semi-gun which was designed in series with the 7'8"EA. The rocker and foil will accommodate a wide variety of bottom contours."

ERIC AWAKAWA



FISH/EGG

7'3"A

Designed by

PAT RAWSON

Introduced July 2006

Overall Bottom Length: 7'2 7/8" (220.66 cm)

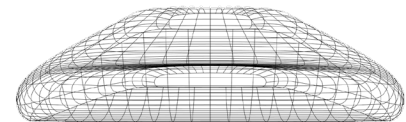
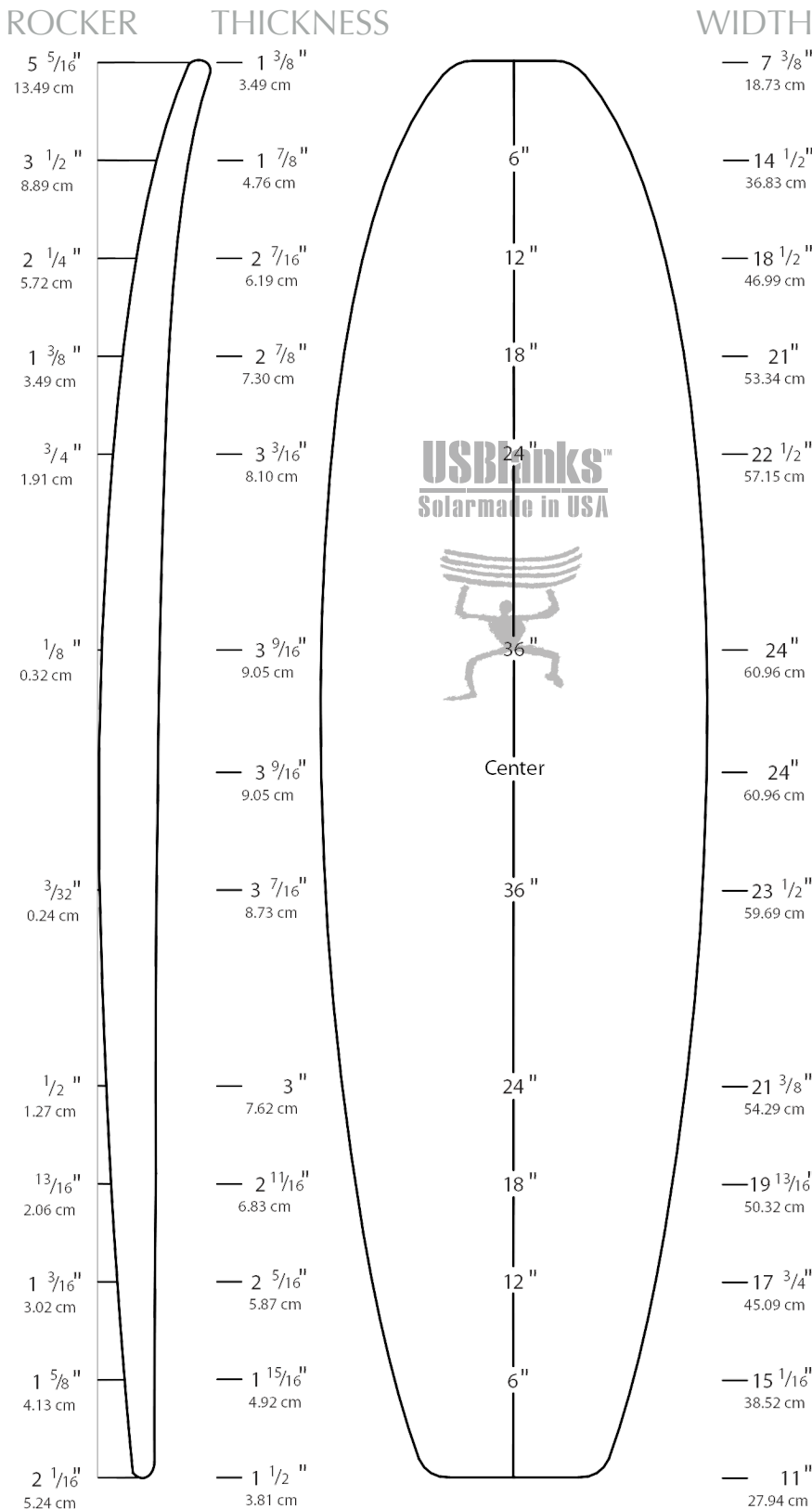
Tip-to-Tip Deck Length: 7'2 3/8" (219.39 cm)

Max Width: 24" (60.96 cm)

Max Thickness: 3 5/8" (9.21 cm)

Displacement: 2.74 ft³ (77.7 L)

Natural Rocker: 5 5/16"N 2 1/16"T



"This is my enlarged version of the 6'10"A Fish blank. I designed this one to be able to easily net 7'1" by the bottom measurement. Should net 6'9" to 7'1" length for contemporary, retro Fish or single fin designs."

PAT RAWSON



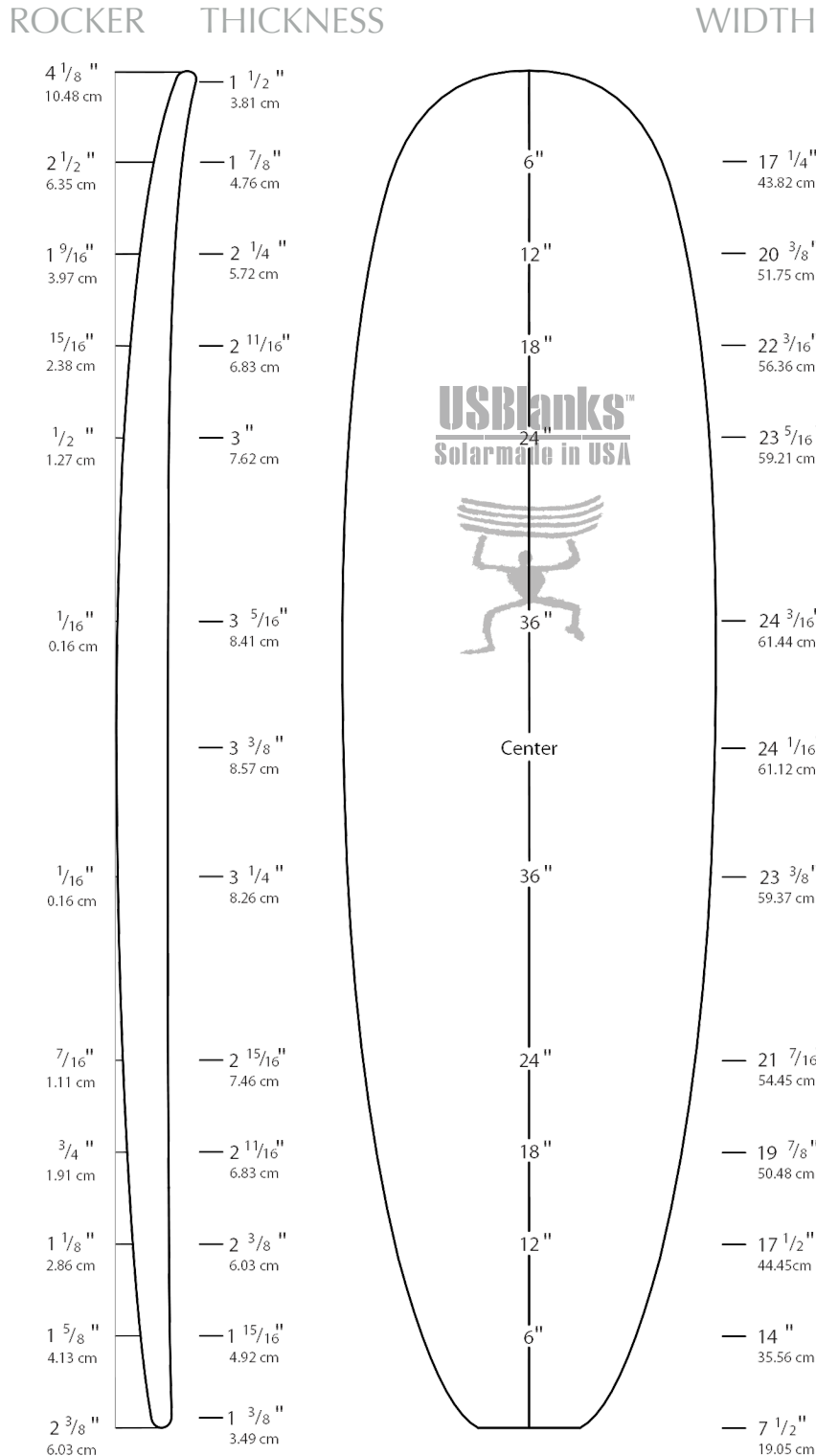
FISH/EGG

7'4"SP

Designed by

**TOM PARRISH &
CHARLIE SMITH**

Introduced June 2014



Overall Bottom Length: 7'5 11/16" (227.81 cm)

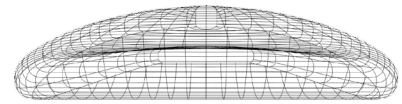
Tip-to-Tip Deck Length: 7'4 3/4" (225.43 cm)

Max Width: 24 3/16" (61.44 cm)

Max Thickness: 3 3/8" (8.57 cm)

Displacement: 2.723 ft³ (77.1 L)

Natural Rocker: 4 1/8" N 2 3/8" T



"The 7'4"SP & 7'10"SP were built together on Maui and are similar to the 8'4"SP, offering a more complete size progression for mini Longboards. The outlines of both were widened relative to the 8'4"SP to make them usable for a broader range of designs. Natural Rocker is fairly neutral in both the nose and tail with enough thickness to shape them up or down according to the shaper's preference. Ideal for boards in the 6'10" to 7'4" range."

TOM PARRISH



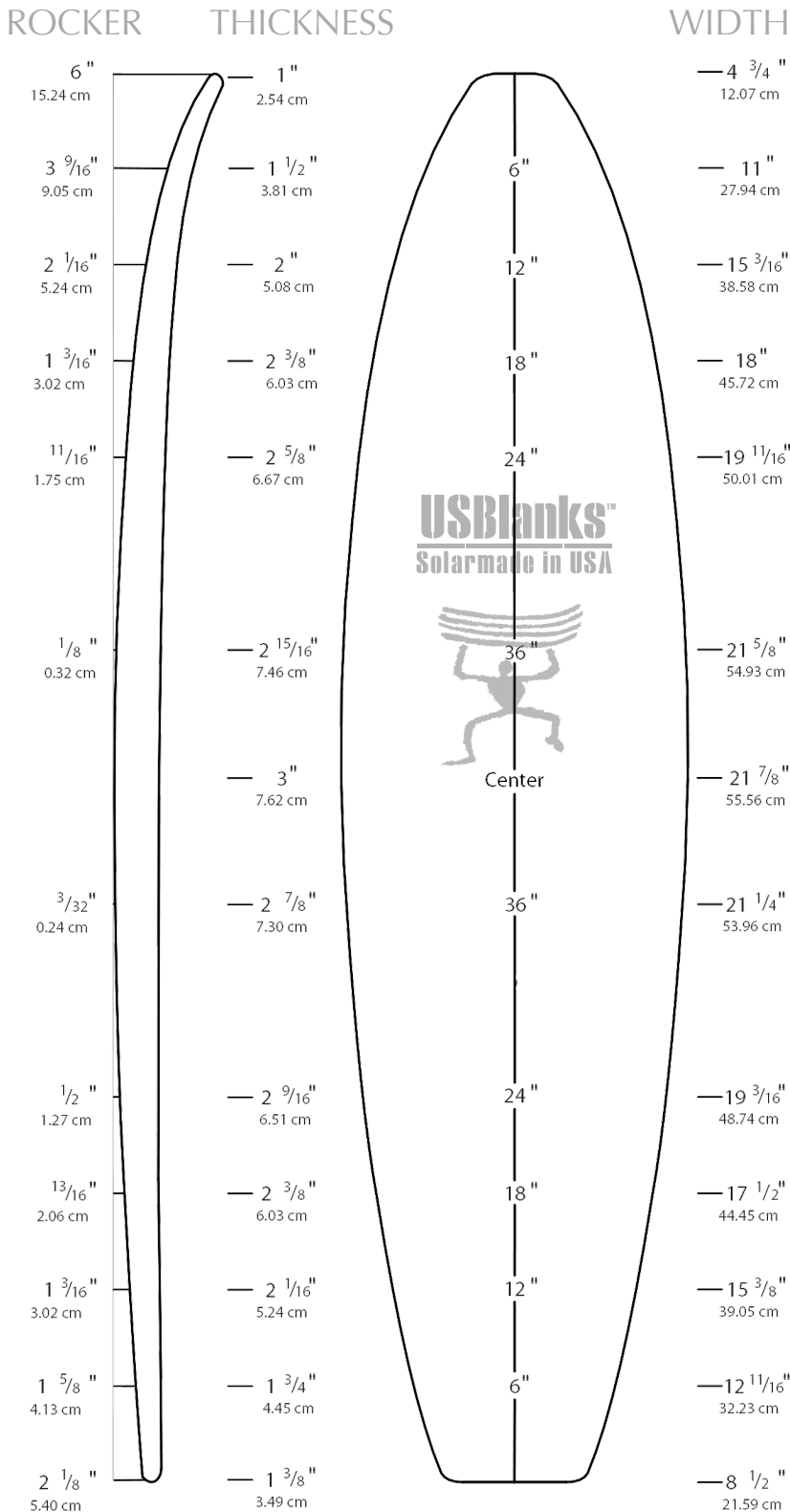
FUNBOARD

7'5" A

Designed by

PAT RAWSON

Introduced July 2006



Overall Bottom Length: 7'4 1/2" (224.79 cm)

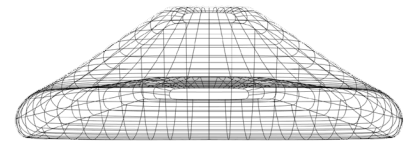
Tip-to-Tip Deck Length: 7'3 7/16" (222.09 cm)

Max Width: 21 7/8" (55.56 cm)

Max Thickness: 3" (7.62 cm)

Displacement: 2.13 ft³ (60.2 L)

Natural Rocker: 6"N 2 1/8" T



"Will net 7'3" bottom length. The Natural Rocker is good for vee in the tail and contoured bottom designs. The Hawaii rocker can be used for high performance styles. I personally like the 7'2" EA bottom extended curve glued up with this one for a flatter deck design."

PAT RAWSON



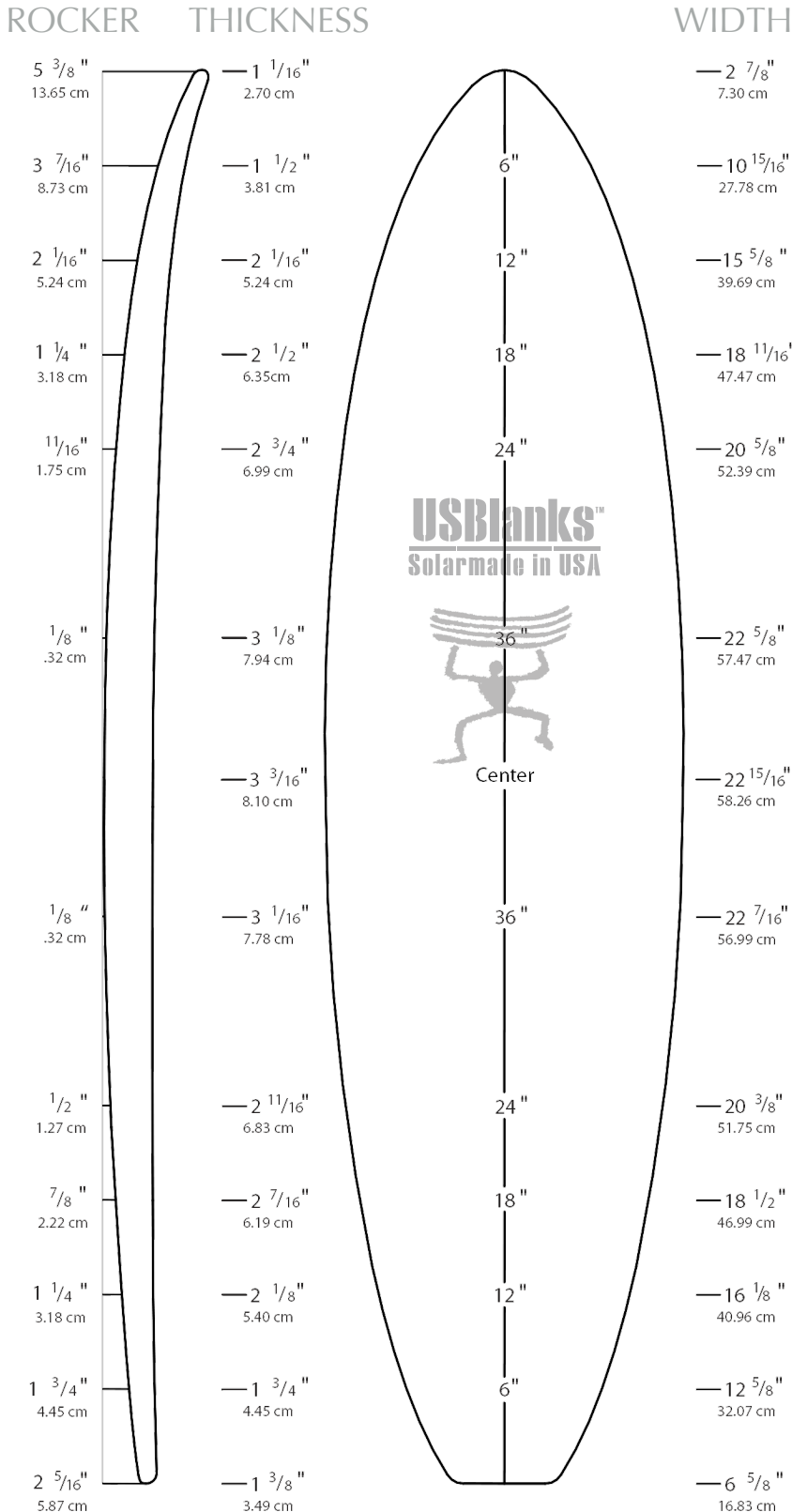
FUNBOARD

7'6"EA

Designed by

ERIC ARAKAWA

Introduced July 2006



Overall Bottom Length: 7'6" (228.60 cm)

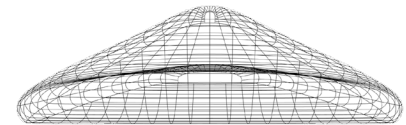
Tip-to-Tip Deck Length: 7'5 3/8" (227.01 cm)

Max Width: 23" (58.42 cm)

Max Thickness: 3 3/16" (8.10 cm)

Displacement: 2.28 ft³ (64.6 L)

Natural Rocker: 5 3/8"N 2 5/16"T



"This is primarily designed for making Funboards. It comes with a moderate but continuous even rocker and foil to make positioning the blank for the shaping process easy. The deck contour tapers to keep the foam harder on the rail on the finished shape. It's a longer version of the 7'1"EA."

ERIC ARAKAWA



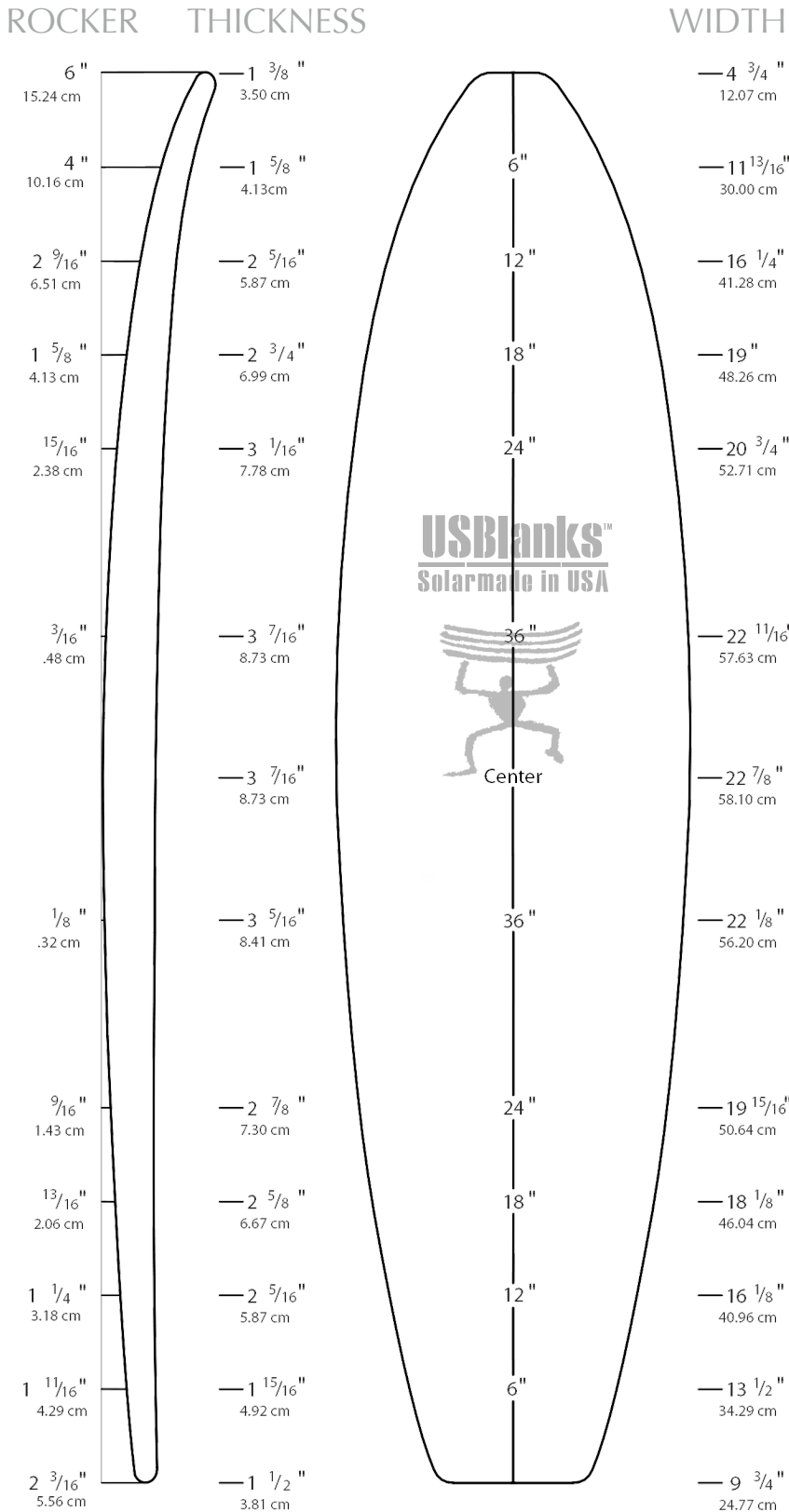
FUNBOARD

7'7" A

Designed by

PAT RAWSON

Introduced July 2006



Overall Bottom Length: 7'6 5/8" (230.19 cm)

Tip-to-Tip Deck Length: 7'6" (228.60 cm)

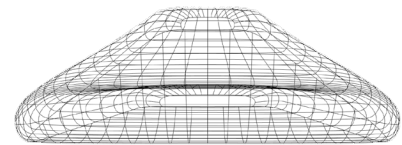
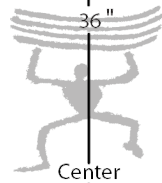
Max Width: 22 7/8" (58.10 cm)

Max Thickness: 3 7/16" (8.73 cm)

Displacement: 2.63 ft³ (74.6 L)

Natural Rocker: 6"N 2 3/16" T

USBlanks™
Solarmade in USA



"The thicker 7'7" A blank easily nets a 7'5" bottom length. The Natural Rocker is good for vee in the tail and contoured bottom designs. The Hawaii Rocker can be used for high performance styles. I personally like the 7'8" EA bottom curve (Hawaii rocker) glued up with this one for a flatter deck design for a bigger rider."

PAT RAWSON



GUN

7'8"EA

Designed by

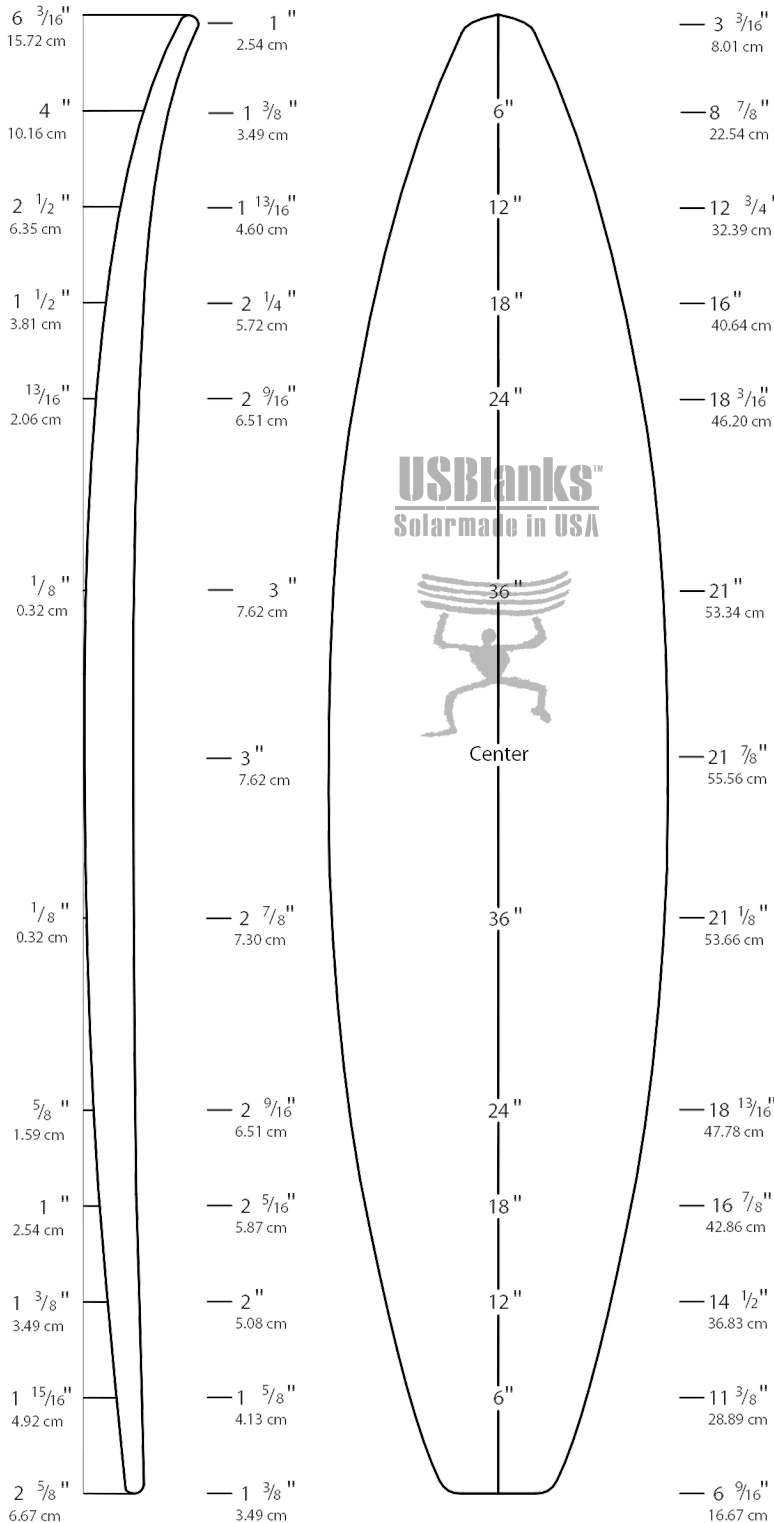
ERIC ARAKAWA

Introduced June 2007

ROCKER

THICKNESS

WIDTH



Overall Bottom Length: 7'9" (236.22 cm)

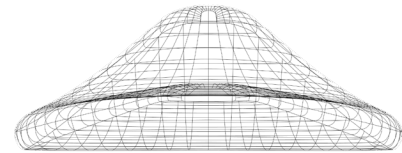
Tip-to-Tip Deck Length: 7'8 3/16" (234.16 cm)

Max Width: 21 7/8" (55.56 cm)

Max Thickness: 3" (7.62 cm)

Displacement: 2.03 ft³ (57.5 L)

Natural Rocker: 6 3/16"N 2 5/8"T



"Designed in series with the 7'2"EA to yield Guns in the 7'0" to 7'7" range.

This blank is a versatile high performance semi-Gun. The rocker and foil will accommodate a wide variety of bottom contours."

ERIC ARAKAWA



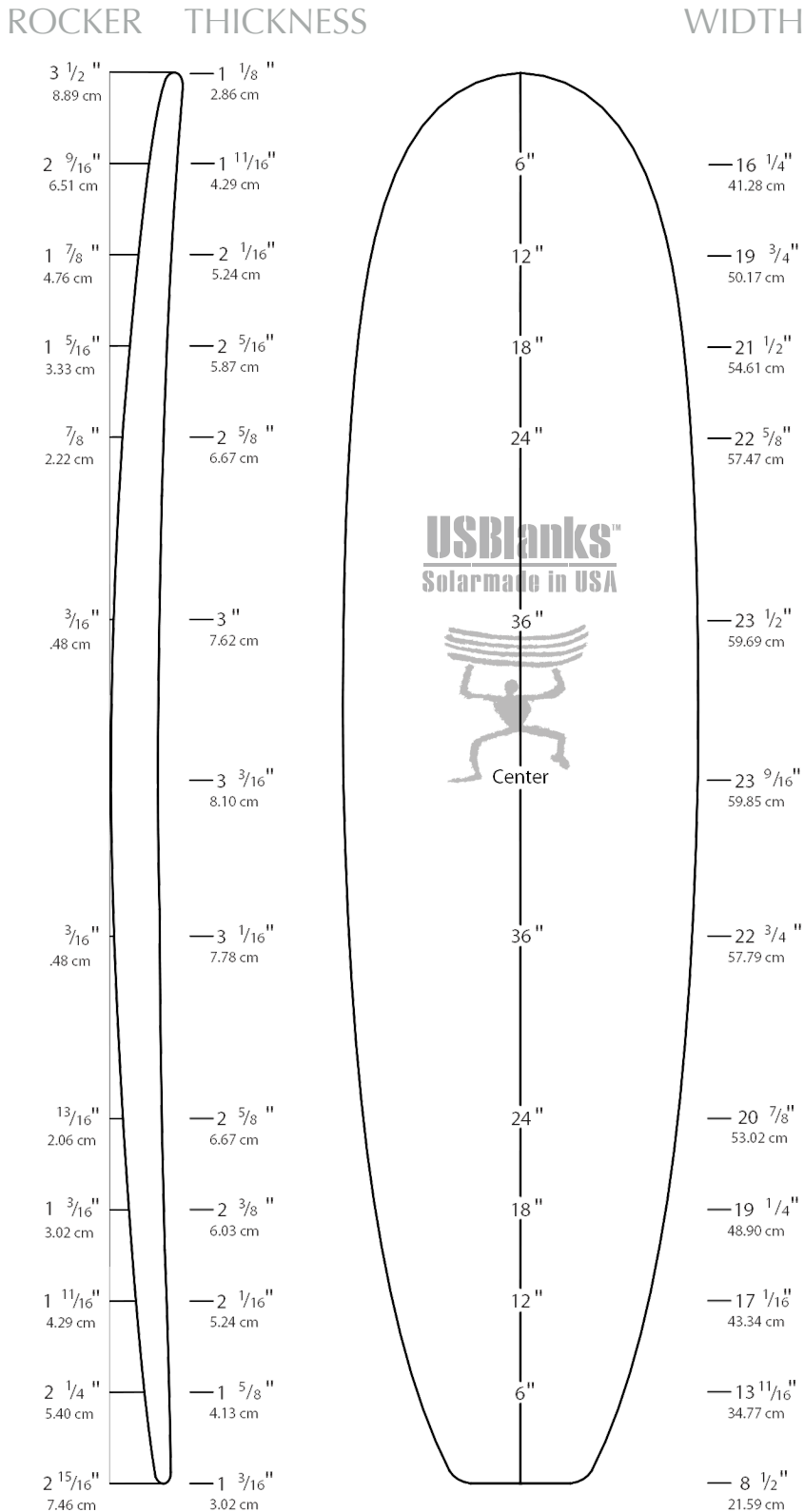
FISH/EGG

7'9"H

Designed by

ROGER HINDS

Introduced July 2006



Overall Bottom Length: 7'8 5/8" (235.27 cm)

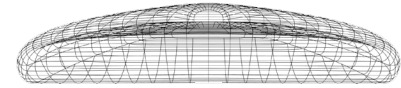
Tip-to-Tip Deck Length: 7'8 3/8" (234.63 cm)

Max Width: 23 9/16" (59.85 cm)

Max Thickness: 3 3/16" (8.10 cm)

Displacement: 2.51 ft³ (71.2 L)

Natural Rocker: 3 1/2"N 2 15/16"T



"Designed for retro Funshapes. Based on feedback from the 7'11"H and 8'4"H with improvements made in the thickness and foil. Should accommodate many rockers and ideally be hand shaped."

ROGER HINDS



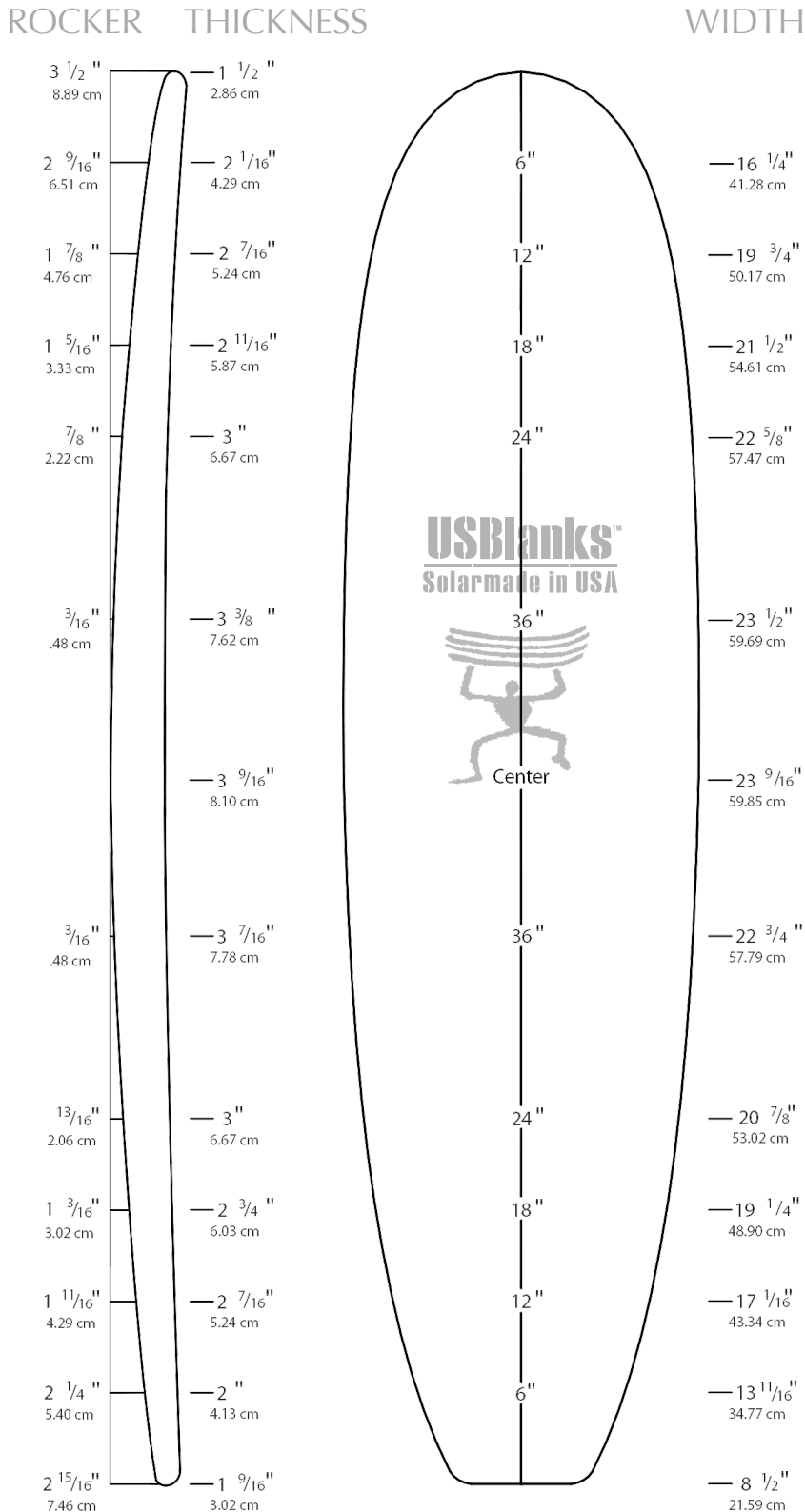
FISH/EGG

7'9"HX

Designed by

ROGER HINDS

Introduced July 2006



Overall Bottom Length: 7'8 5/8" (235.27 cm)

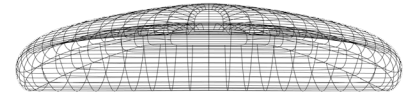
Tip-to-Tip Deck Length: 7'8 3/8" (234.63 cm)

Max Width: 23 9/16" (59.85 cm)

Max Thickness: 3 9/16" (9.05 cm)
7'9"H with 3/8" added thickness overall

Displacement: 2.51 ft³ (71.2 L)

Natural Rocker: 3 1/2"N 2 15/16"T



"This is a 3/8" thicker version of the 7'9"H. Designed for retro Funshapes. Based on feedback from the 7'11"H and 8'4"H with improvements made in the thickness and foil. Should accommodate many rockers and ideally be hand shaped."

ROGER HINDS



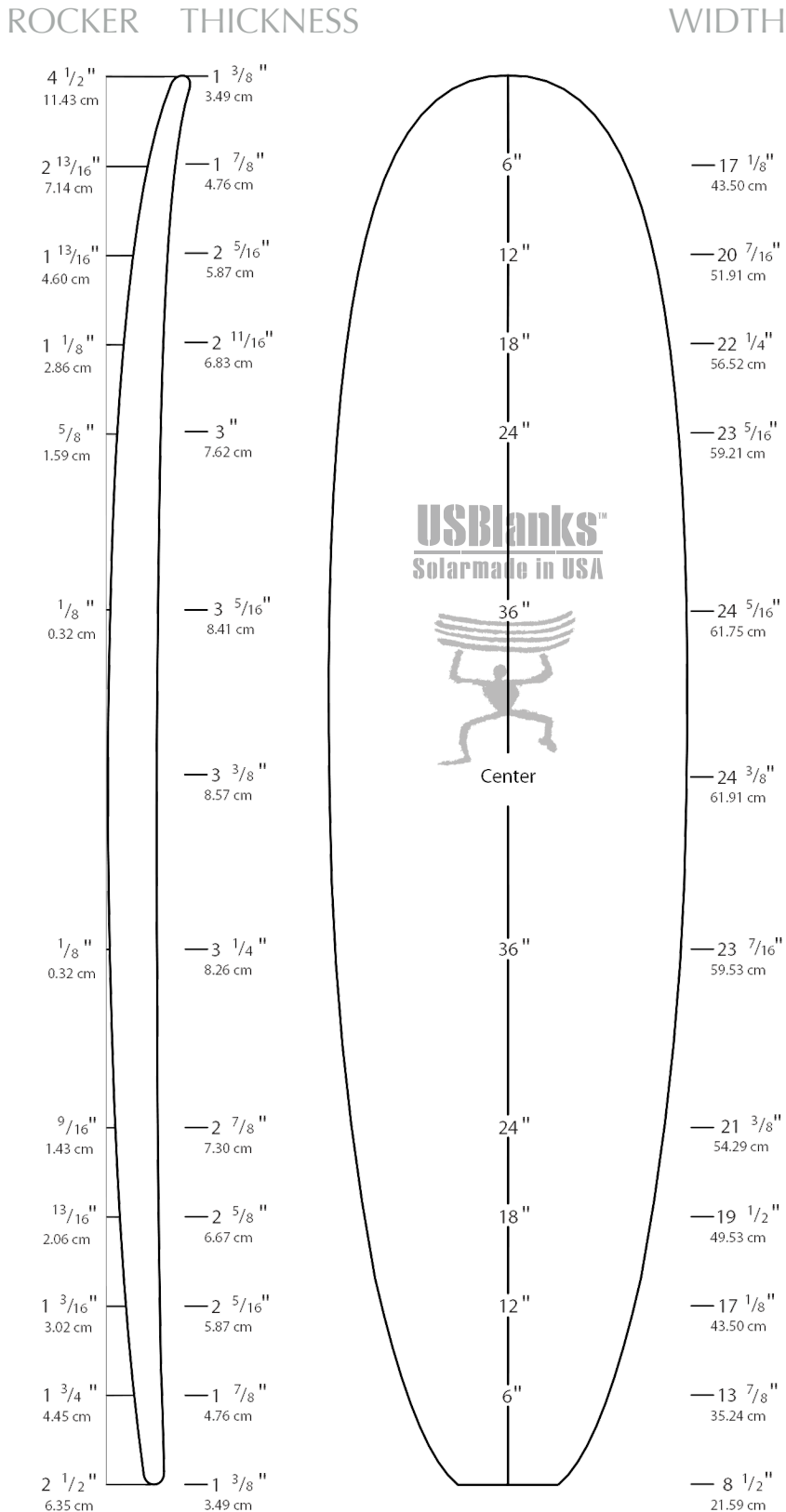
FUNBOARD

7'10"SP

Designed by

**TOM PARRISH &
CHARLIE SMITH**

Introduced May 2014



Overall Bottom Length: 7'11 1/4" (241.94 cm)

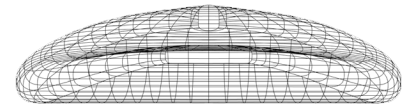
Tip-to-Tip Deck Length: 7'10 3/4" (240.67 cm)

Max Width: 24 3/8" (61.91 cm)

Max Thickness: 3 3/8" (8.57 cm)

Displacement: 2.892 ft³ (81.9 L)

Natural Rocker: 4 1/2"N 2 1/2"T



"The 7'10SP and the 7'4"SP were built together on Maui and are similar to the 8'4"SP offering a more complete size progression for mini Longboards. The outlines of both were widened relative to the 8'4"SP to make it usable for a broader range of designs. Natural Rocker is fairly neutral in both the nose and tail with enough thickness to shape them up or down according to the shaper's preference. Ideal for boards in the 7'4" to 7'10" range.

TOM PARRISH

TOM PARRISH



GUN

7'11" A

Designed by

PAT RAWSON

Introduced September 2006

Overall Bottom Length: 7'11 1/2" (242.57 cm)

Tip-to-Tip Deck Length: 7'10 11/16" (240.51 cm)

Max Width: 21 7/8" (55.56 cm)

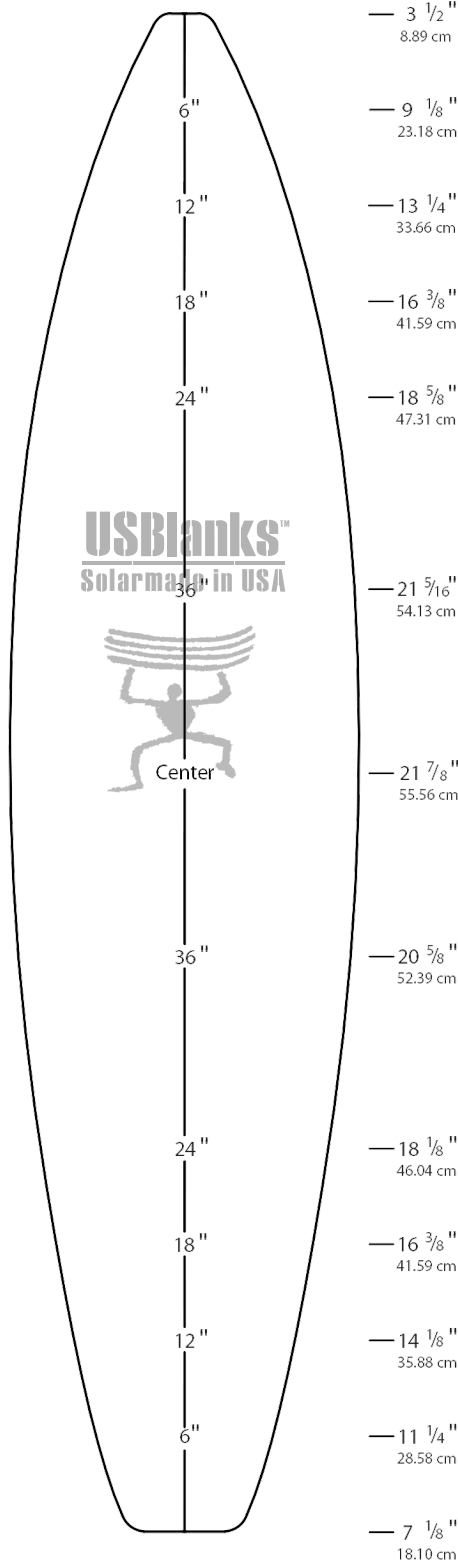
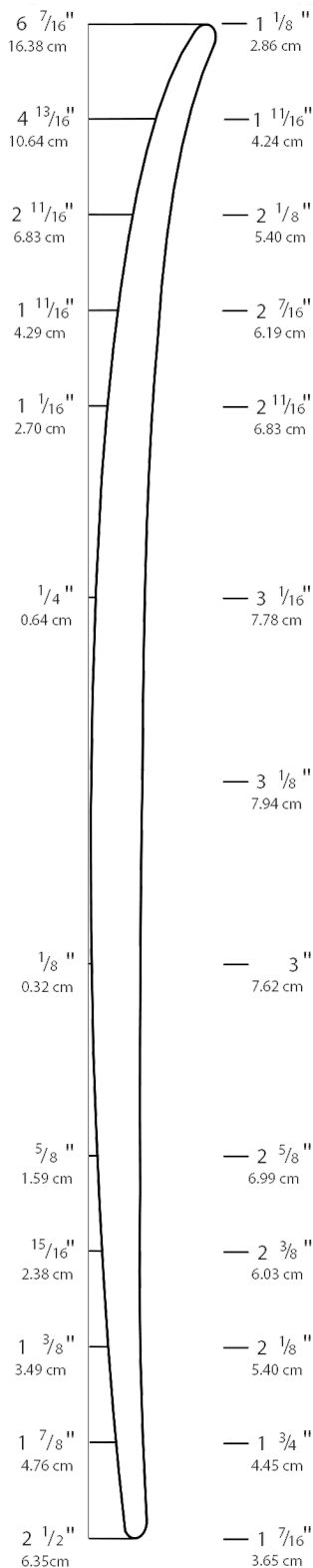
Max Thickness: 3 1/8" (7.94 cm)

Displacement: 2.32 ft³ (65.7 L)

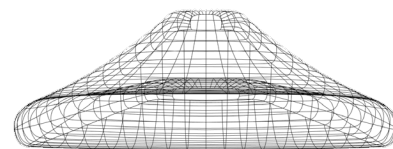
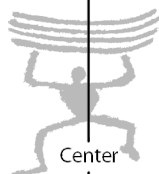
Natural Rocker: 6 7/16" N 2 1/2" T

ROCKER THICKNESS

WIDTH



USBlanks™
Solarmade in USA



"This midsize Gun blank can net a 7'9" bottom length. The Natural Rocker is good for vee in the tail and contoured bottom designs. The Hawaii rocker can bemused for high performance styles."

PAT RAWSON



FISH/EGG

8'0"H

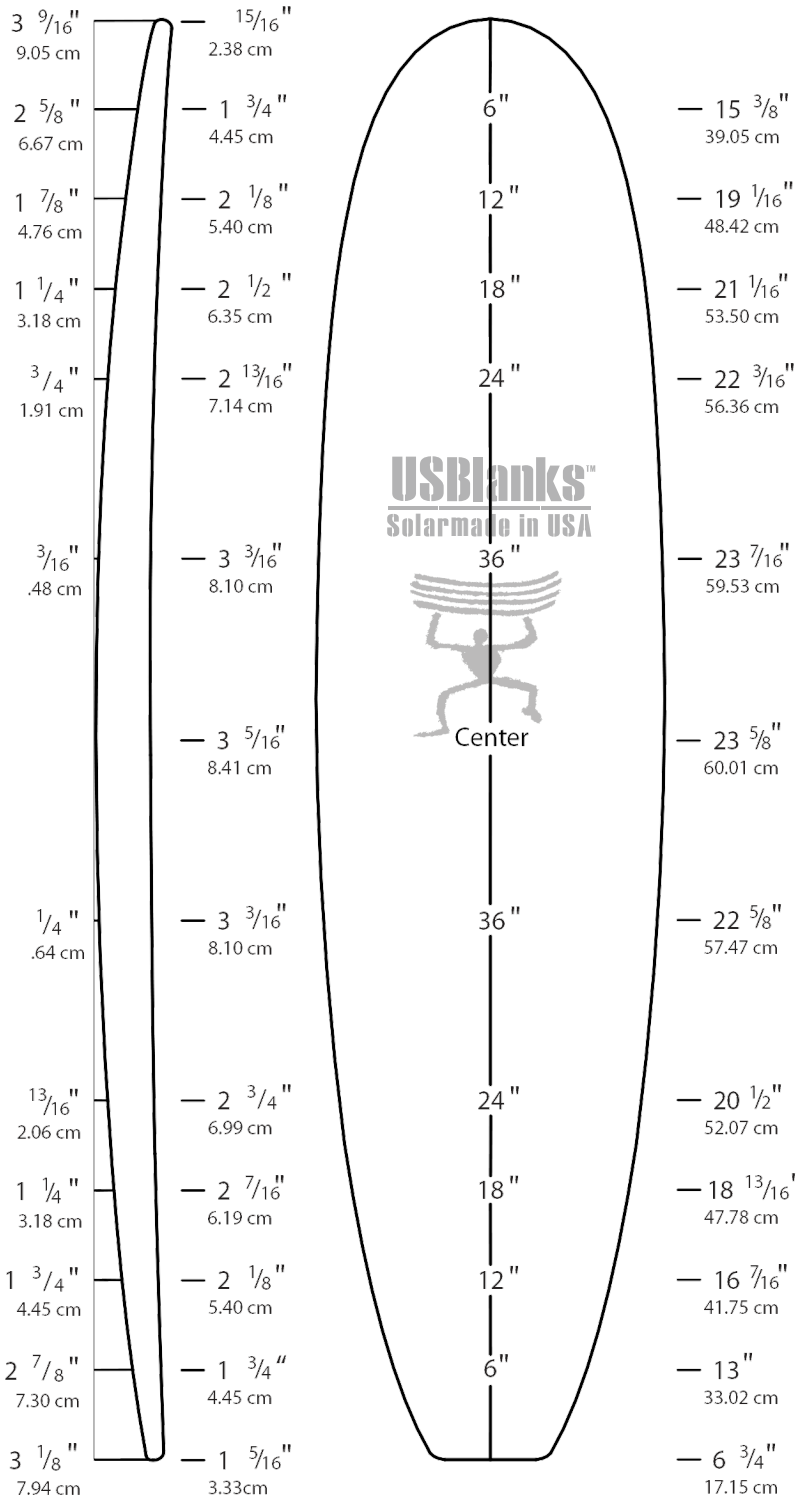
Designed by

ROGER HINDS

Introduced July 2006

ROCKER THICKNESS

WIDTH



Overall Bottom Length: 8'0 1/8" (244.16 cm)

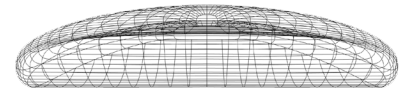
Tip-to-Tip Deck Length: 7'11 5/8" (242.89 cm)

Max Width: 23 5/8" (60.01 cm)

Max Thickness: 3 5/16" (8.41 cm)

Displacement: 2.77 ft³ (78.4 L)

Natural Rocker: 3 9/16"N 3 1/8"T



"Designed for retro Funshapes. Based on feedback from the 7'11"H and 8'4"H with improvements made in the thickness and foil. Should accommodate many rockers and ideally be hand shaped."

ROGER HINDS



FUNBOARD

8'1"EA

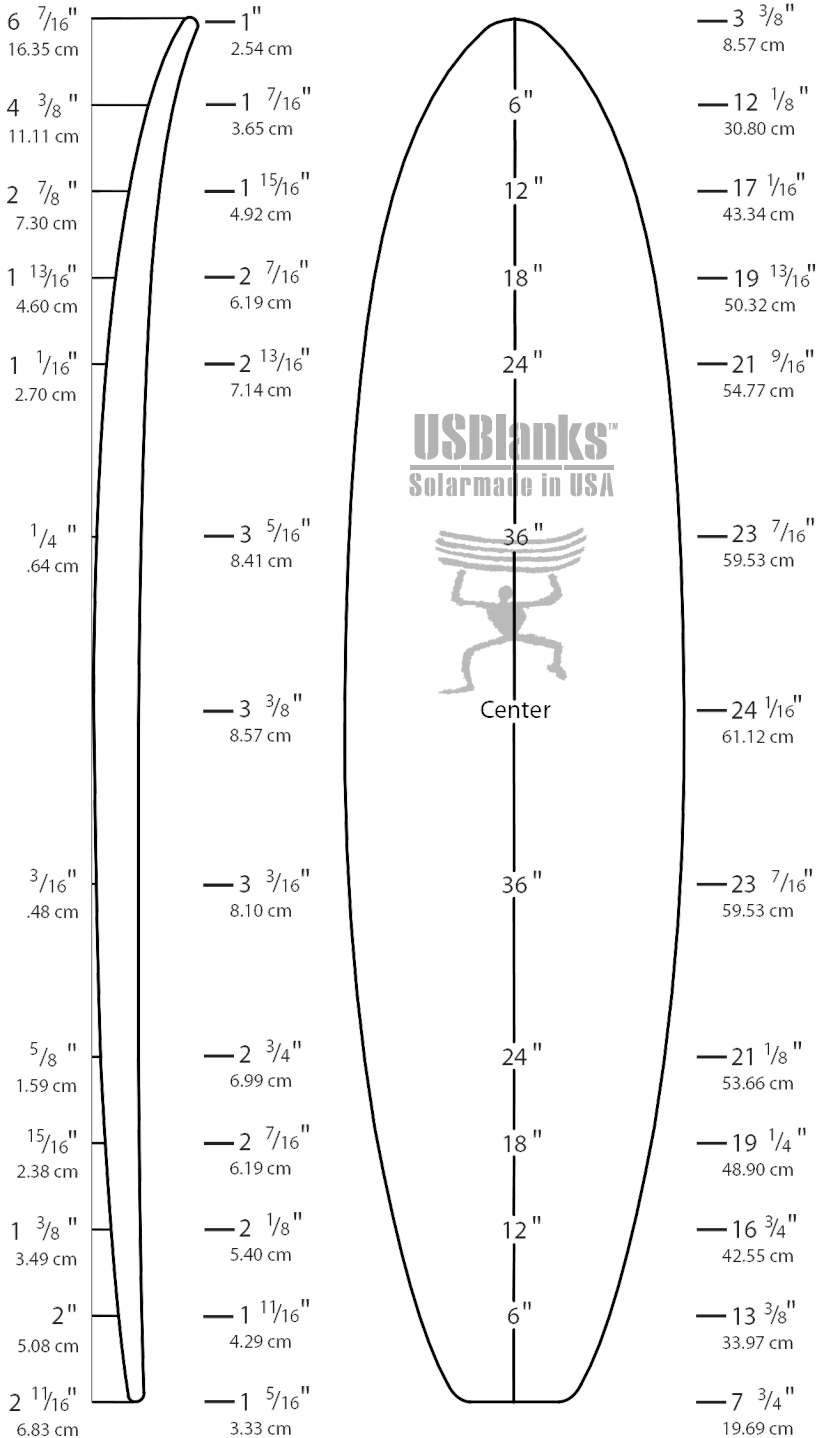
Designed by

ERIC ARAKAWA

Introduced July 2006

ROCKER THICKNESS

WIDTH



Overall Bottom Length: 8'0 5/8" (245.43 cm)

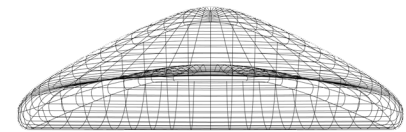
Tip-to-Tip Deck Length: 7'11 3/4" (243.21 cm)

Max Width: 24 1/16" (61.19 cm)

Max Thickness: 3 3/8" (8.57 cm)

Displacement: 2.66 ft³ (75.3 L)

Natural Rocker: 6 7/16"N 2 11/16"T



"This is primarily designed for making Funboards. It comes with a moderate but continuous even rocker and foil to make positioning the blank for the shape process easy. It's a longer version of the 7'6"EA but I added width forward to accommodate wider noses."

ERIC ARAKAWA



FUNBOARD

8'2"A

Designed by

PAT RAWSON

Introduced July 2008

ROCKER

THICKNESS

WIDTH

6 5/8"
16.83 cm

4 3/8"
11.11 cm

2 11/16"
6.83 cm

1 11/16"
4.29 cm

1"
2.54 cm

1/4"
0.64 cm

3/16"
0.48 cm

11/16"
1.75 cm

1 1/16"
2.70 cm

1 1/2"
3.81 cm

2"
5.08 cm

2 9/16"
6.51 cm

1 5/16"
3.33 cm

1 13/16"
4.60 cm

2 7/16"
6.19 cm

3"
7.62 cm

3 3/8"
8.57 cm

3 15/16"
10.00 cm

4 1/16"
10.32 cm

3 7/8"
9.84 cm

3 3/8"
8.57 cm

3"
7.62 cm

2 5/8"
6.68 cm

2 1/8"
5.40 cm

1 3/4"
4.45 cm

6"

12"

18"

24"

36"

Center

36"

24"

18"

12"

6"

4"
10.16 cm

12 1/2"
31.75 cm

17 3/8"
44.13 cm

20 1/4"
52.07 cm

22 7/16"
56.99 cm

24 7/16"
62.07 cm

25"
63.50 cm

24 1/16"
61.12 cm

21 7/8"
55.56 cm

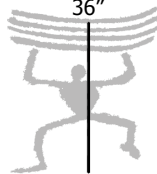
20 1/8"
51.12 cm

17 11/16"
44.93 cm

14 5/16"
36.35 cm

9 1/2"
24.13 cm

USBlanks™
Solarmade in USA



Overall Bottom Length: 8'2 1/2" (250.19 cm)

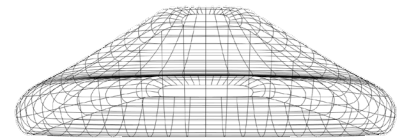
Tip-to-Tip Deck Length: 8'1 1/2" (250.19 cm)

Max Width: 25" (63.50 cm)

Max Thickness: 4 1/16" (10.32 cm)

Displacement: 3.59 ft³ (101.7 L)

Natural Rocker: 6 5/8"N 2 9/16"T



"I designed the 8'2"A to be a serious 'big guy' blank for either high performance retros or fun Gun styles. It has a performance bottom curve and enough volume for 300lbs surfers. It should be able to yield 8'0" x 24" x 3 3/4" with ability to position the overall rocker and nose widths as needed.

Cutting 2" length off the nose will enable an 18 1/2" nose width at 12" back and facilitate well for 'big guy' Fish designs. My special thanks to Ben Aipa who provided the inspiration on the overall design of the blank and the 9'3"A."

PAT RAWSON



FUNBOARD

8'2" AX

Designed by

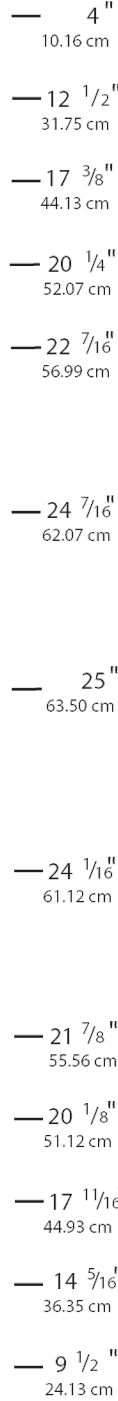
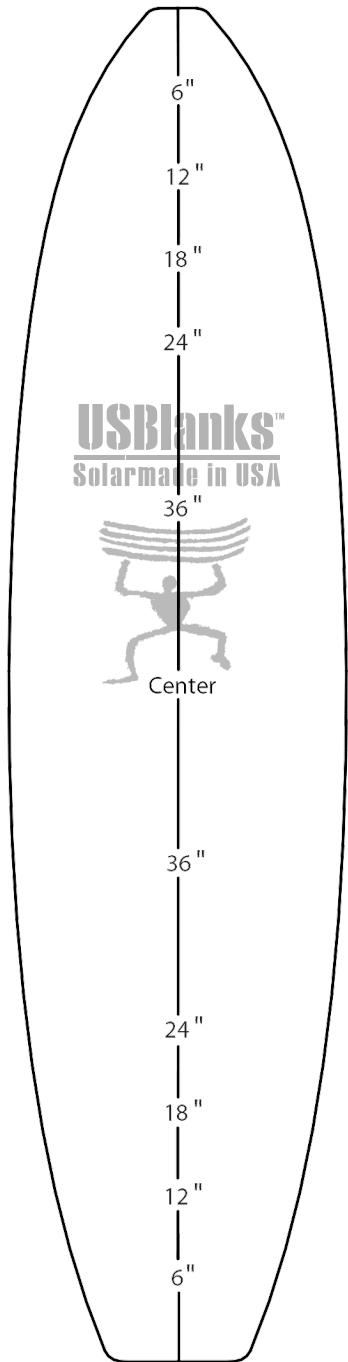
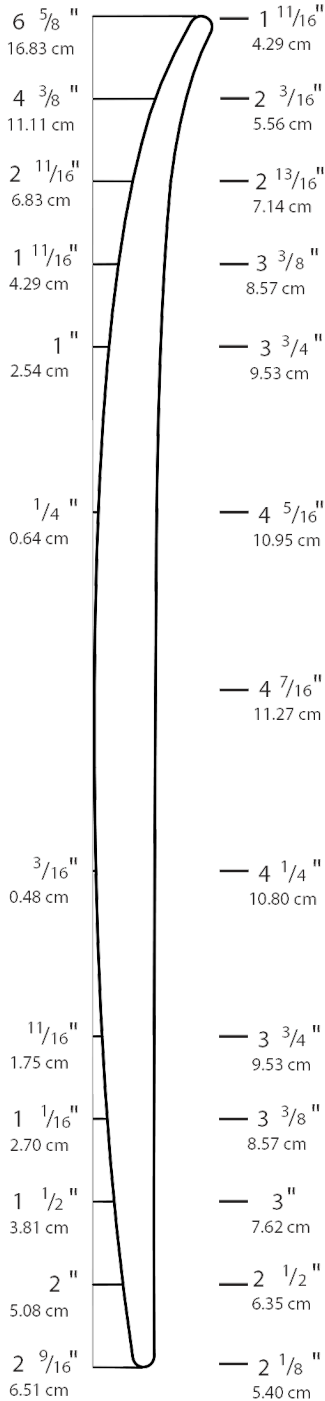
PAT RAWSON

Introduced July 2008

ROCKER

THICKNESS

WIDTH



Overall Bottom Length: 8'2 1/2" (250.19 cm)

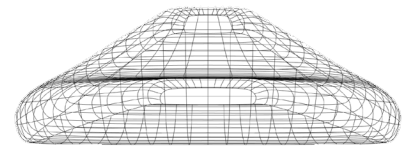
Tip-to-Tip Deck Length: 8'1 1/2" (250.19 cm)

Max Width: 25" (63.50 cm)

Max Thickness: 4 7/16" (11.27 cm)
8'2"A with 3/8" added thickness overall

Displacement: 3.99 ft³ (113.1 L)

Natural Rocker: 6 5/8"N 2 9/16"T



"Same as the 8'2"A but shimmed to produce 3/8" thicker. I designed the 8'2"A to be a serious 'big guy' blank for either high performance retros or fun Gun styles. It has a performance bottom curve and enough volume for 300lbs surfers. It should be able to yield 8'0" x 24" x 3 3/4" with ability to position the overall rocker and nose widths as needed. Cutting 2" length off the nose will enable an 18 1/2" nose width at 12" back and facilitate well for 'big guy' Fish designs. My special thanks to Ben Aipa who provided the inspiration on the overall design of the blank and the 9'3"A."

PAT RAWSON



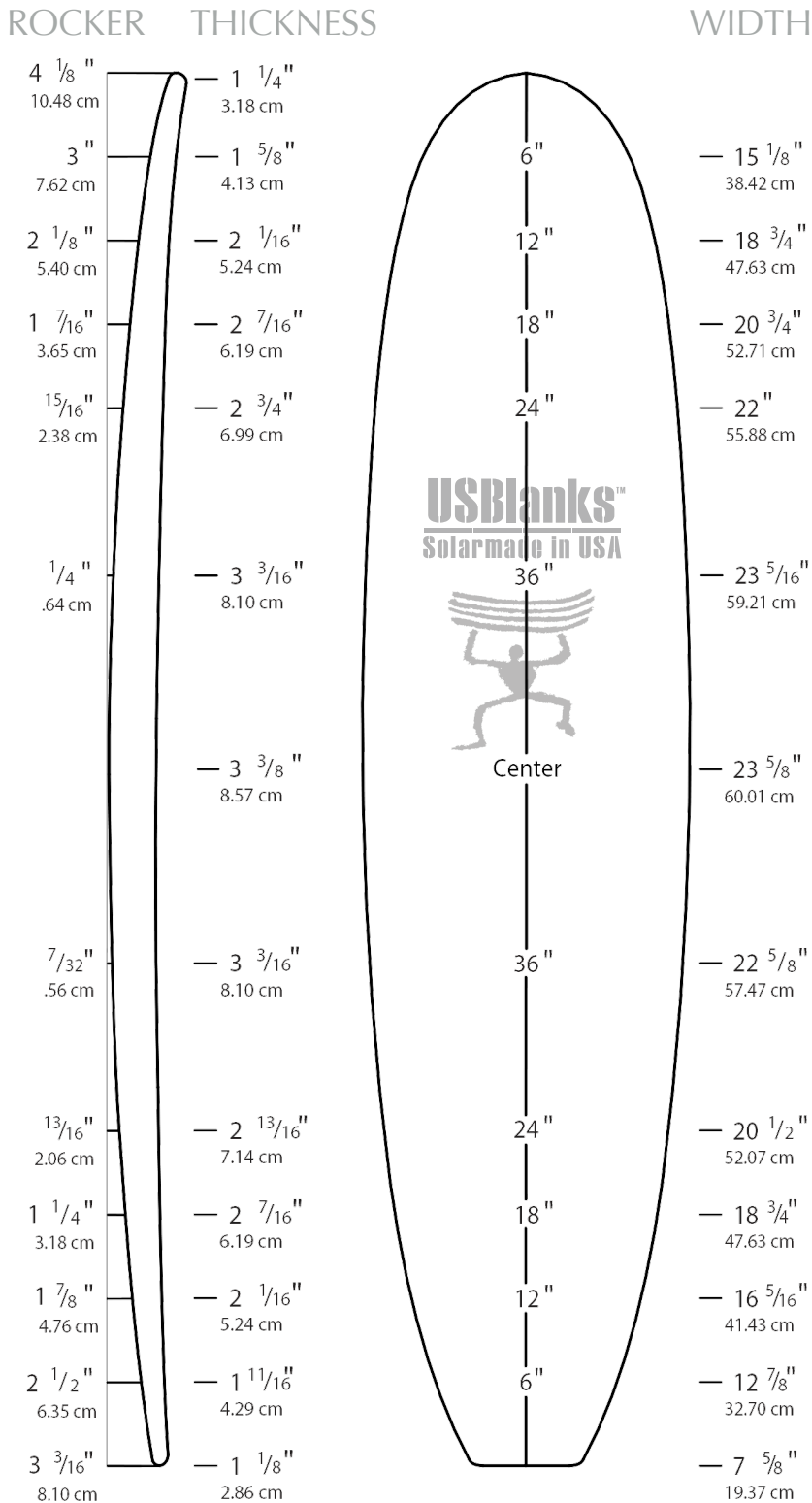
FUNBOARD

8'3"H

Designed by

ROGER HINDS

Introduced July 2006



Overall Bottom Length: 8'3 1/8" (251.78 cm)

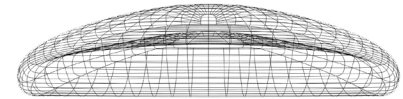
Tip-to-Tip Deck Length: 8'2 5/8" (250.51 cm)

Max Width: 23 5/8" (60.01 cm)

Max Thickness: 3 5/16" (8.41 cm)

Displacement: 2.74 ft³ (77.6 L)

Natural Rocker: 4 1/8"N 3 3/16"T



"Designed for retro Funshapes. Based on feedback from the 7'11"H and 8'4"H with improvements made in the thickness and foil. Should accommodate many rockers and ideally be hand shaped."

ROGER HINDS



FISH/EGG

8'4"SP

Designed by

**TOM PARRISH &
CHARLIE SMITH**

Introduced May 2009

Overall Bottom Length: 8'4 7/16" (255.11 cm)

Tip-to-Tip Deck Length: 8'3 13/16" (253.52 cm)

Max Width: 24 3/16" (61.44 cm)

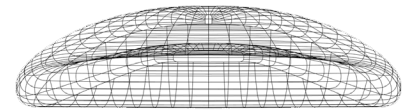
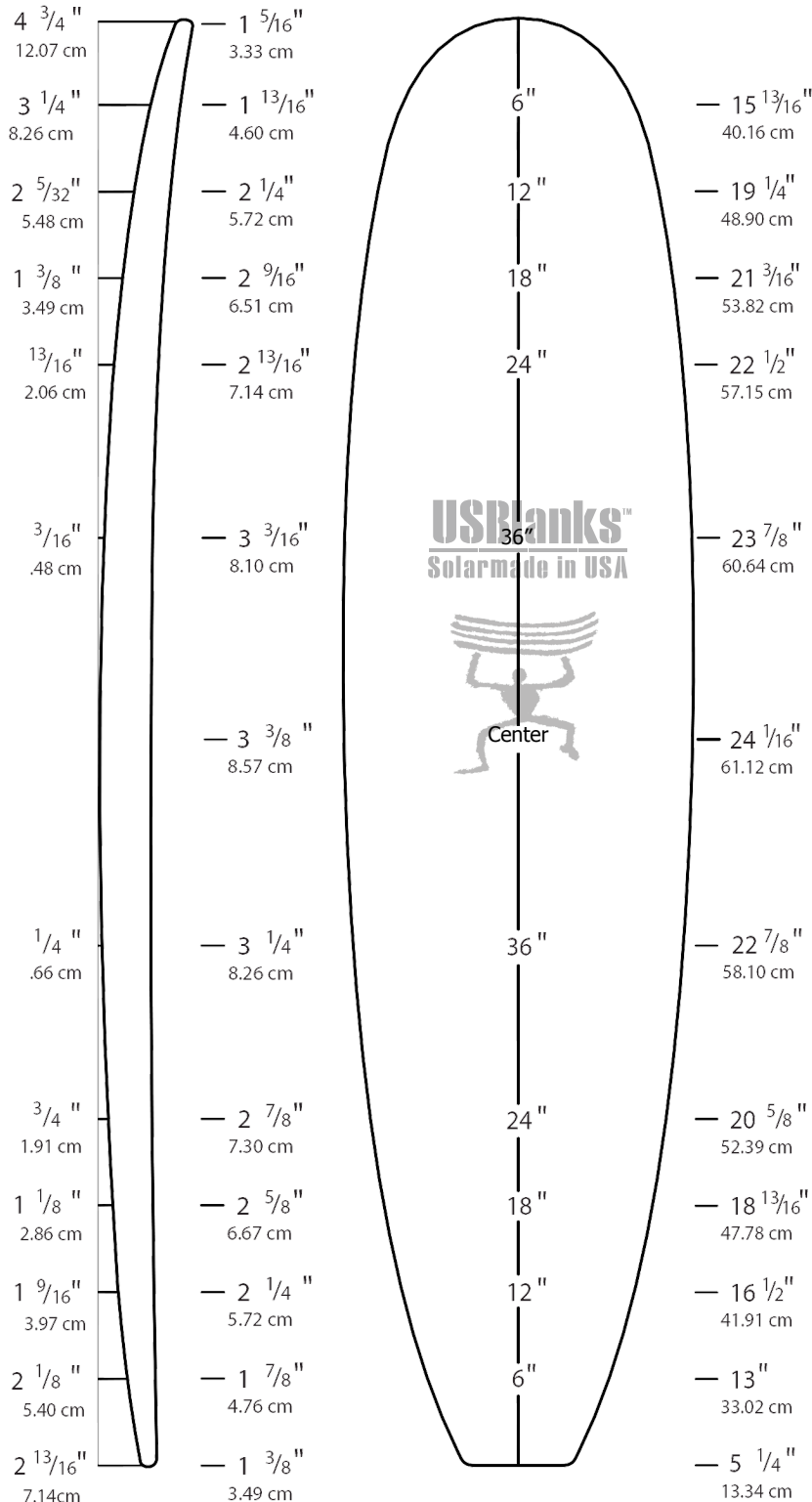
Max Thickness: 3 3/8" (8.57 cm)

Displacement: 2.97 ft³ (84.0 L)

Natural Rocker: 4 3/4"N 2 13/16"T

ROCKER THICKNESS

WIDTH



"This blank reflects four decades of collaboration between Charlie Smith and Tom Parrish. The 8'4"SP allows for Funboard, mini-Longboard, and noserider style templates. Natural Rocker is fairly neutral in both nose and tail with enough thickness to shape it up or down. Ideal for boards in the 7'10" to 8'4" range."

TOM PARRISH



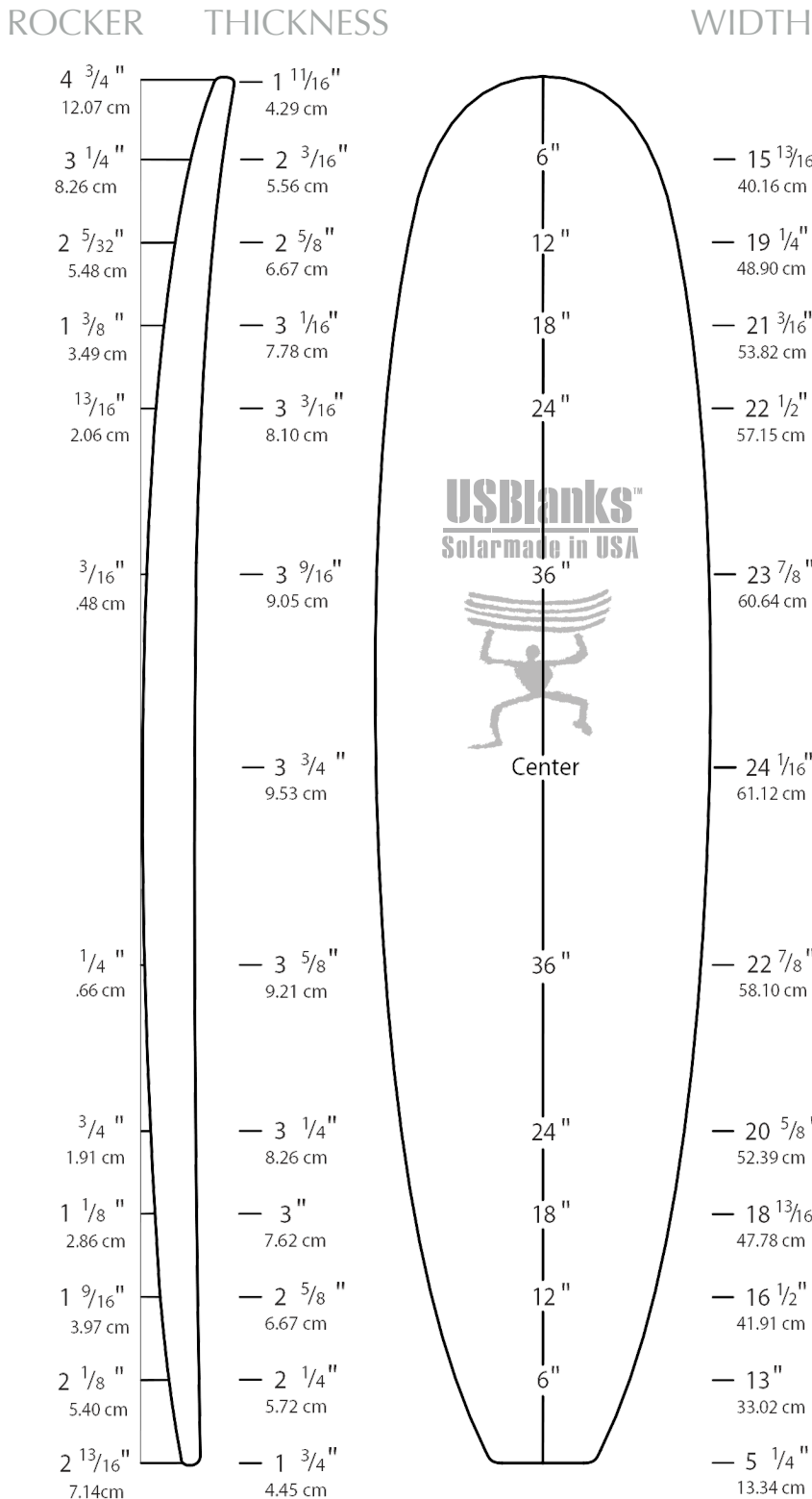
FISH/EGGS

8'4"SPX

Designed by

**TOM PARRISH &
CHARLIE SMITH**

Introduced May 2009



Overall Bottom Length: 8'4 7/16" (255.11 cm)

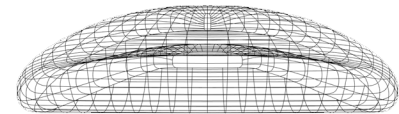
Tip-to-Tip Deck Length: 8'3 13/16" (253.52 cm)

Max Width: 24 3/16" (61.44 cm)

Max Thickness: 3 3/4" (9.53 cm)
8'4"SP with 3/8" added thickness overall

Displacement: 2.97 ft³ (84.0 L)

Natural Rocker: 4 3/4"N 2 13/16"T



"This is the 3/8" thicker version of the 8'4"SP. This blank reflects four decades of collaboration between Charlie Smith and Tom Parrish. The 8'4"SP allows for Funboard, mini-Longboard, and noserider style templates. Natural Rocker is fairly neutral in both nose and tail with enough thickness to shape it up or down. Ideal for boards in the 7'10" to 8'4" range."

TOM PARRISH



GUN

8'5"A

Designed by

PAT RAWSON

Introduced September 2006

Overall Bottom Length: 8'6 3/8" (260.03 cm)

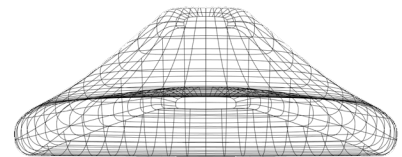
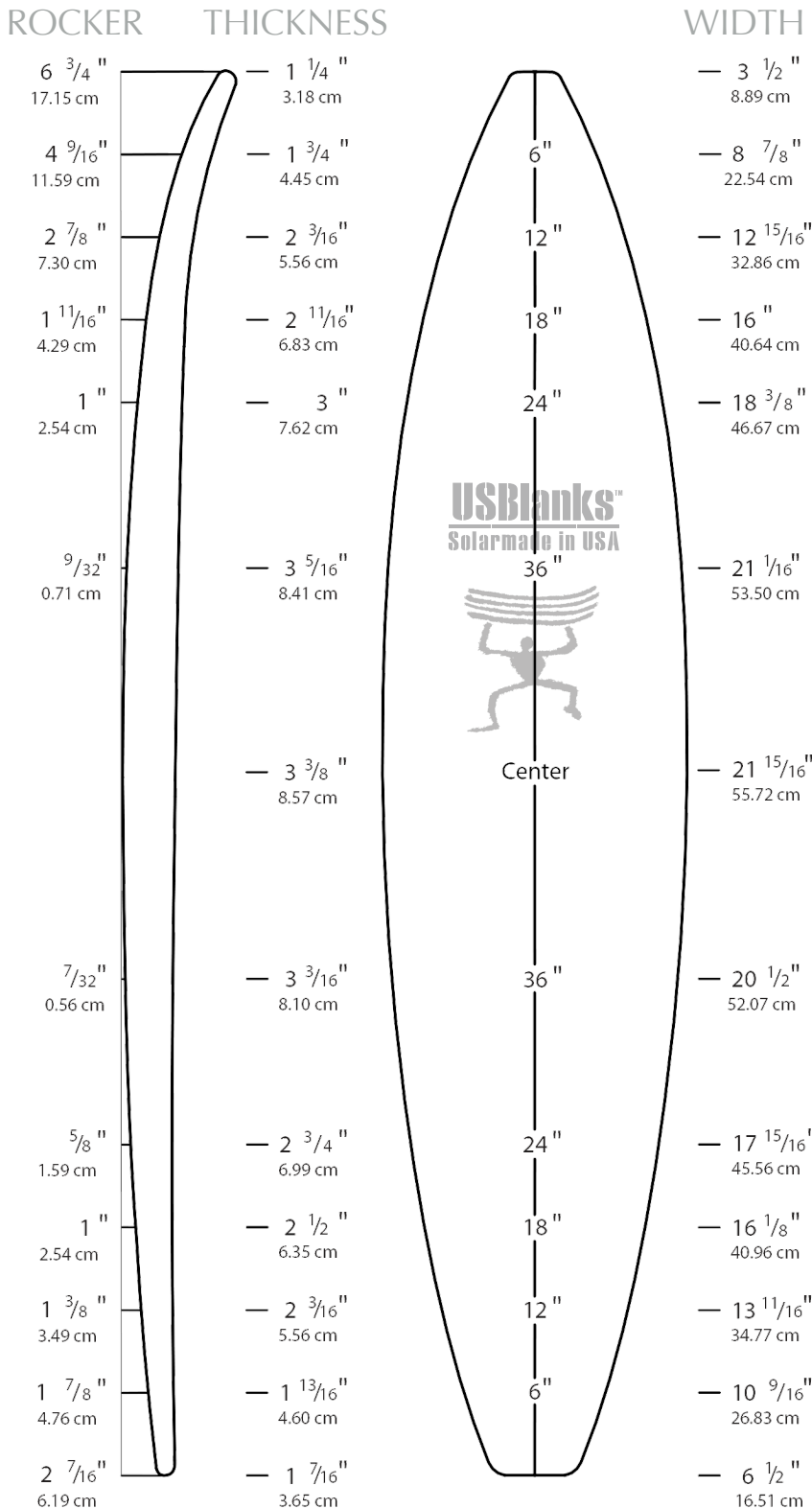
Tip-to-Tip Deck Length: 8'5 1/2" (257.81 cm)

Max Width: 22" (55.88 cm)

Max Thickness: 3 3/8" (8.57 cm)

Displacement: 2.70 ft³ (76.5 L)

Natural Rocker: 6 3/4"N 2 7/16"T



"The 8'5"A blank easily nets an 8'4" bottom length. The Natural Rocker is good for vee in the tail and contoured bottom designs. The Hawaii Rocker can be used for high performance styles."

PAT RAWSON



FUNBOARD

8'6"EA

Designed by

ERIC ARAKAWA

Introduced September 2006

Overall Bottom Length: 8'6" (259.08 cm)

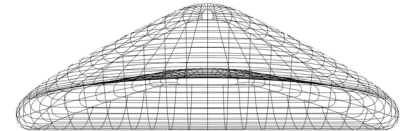
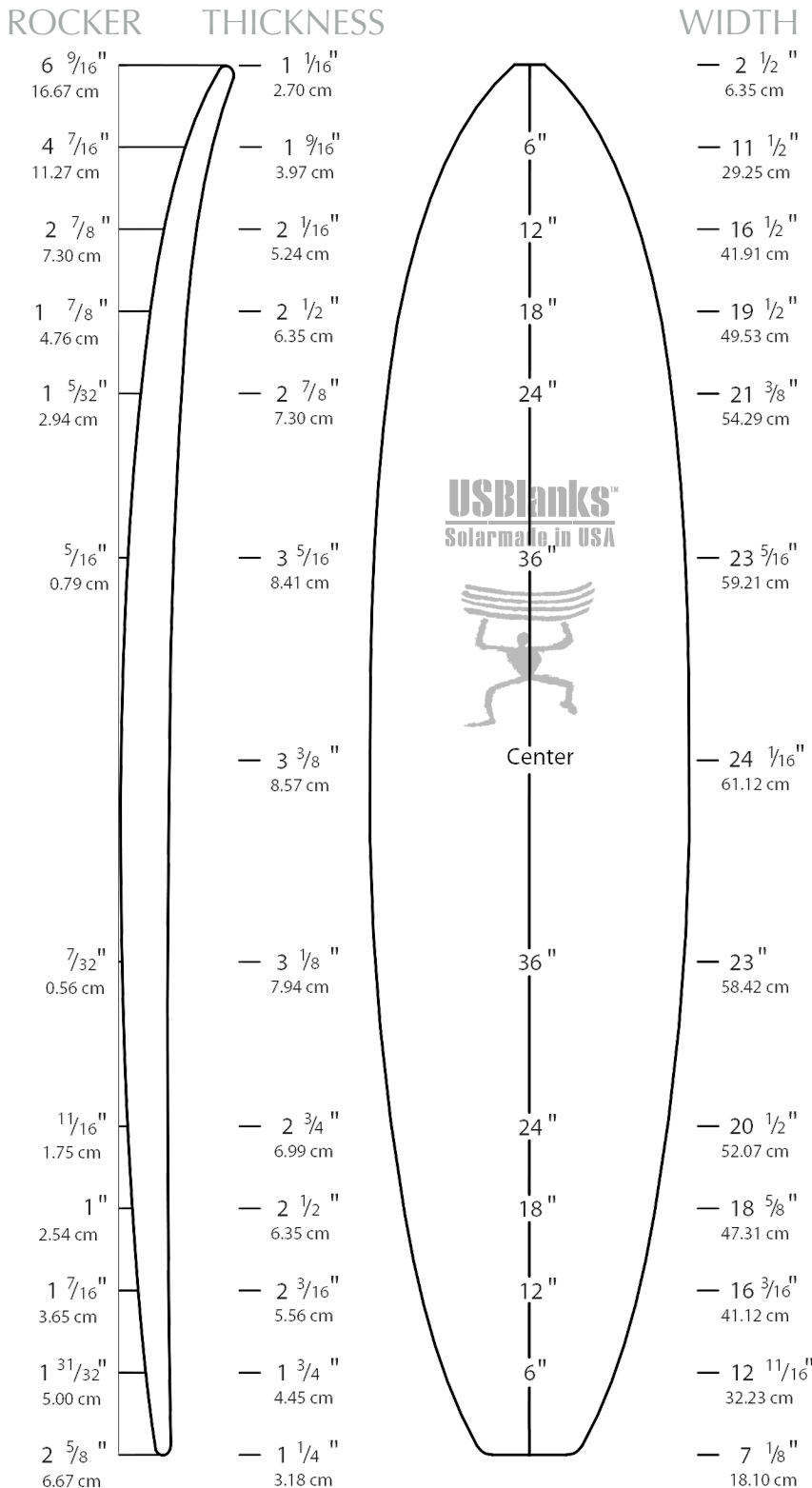
Tip-to-Tip Deck Length: 8'5 1/8" (257.81 cm)

Max Width: 24 1/16" (61.12 cm)

Max Thickness: 3 3/8" (8.57 cm)

Displacement: 2.72 ft³ (77.0 L)

Natural Rocker: 6 9/16"N 2 5/8"T



"This blank is designed to yield big Funboards and 'big guy' Guns."

ERIC ARAKAWA



LONGBOARDS

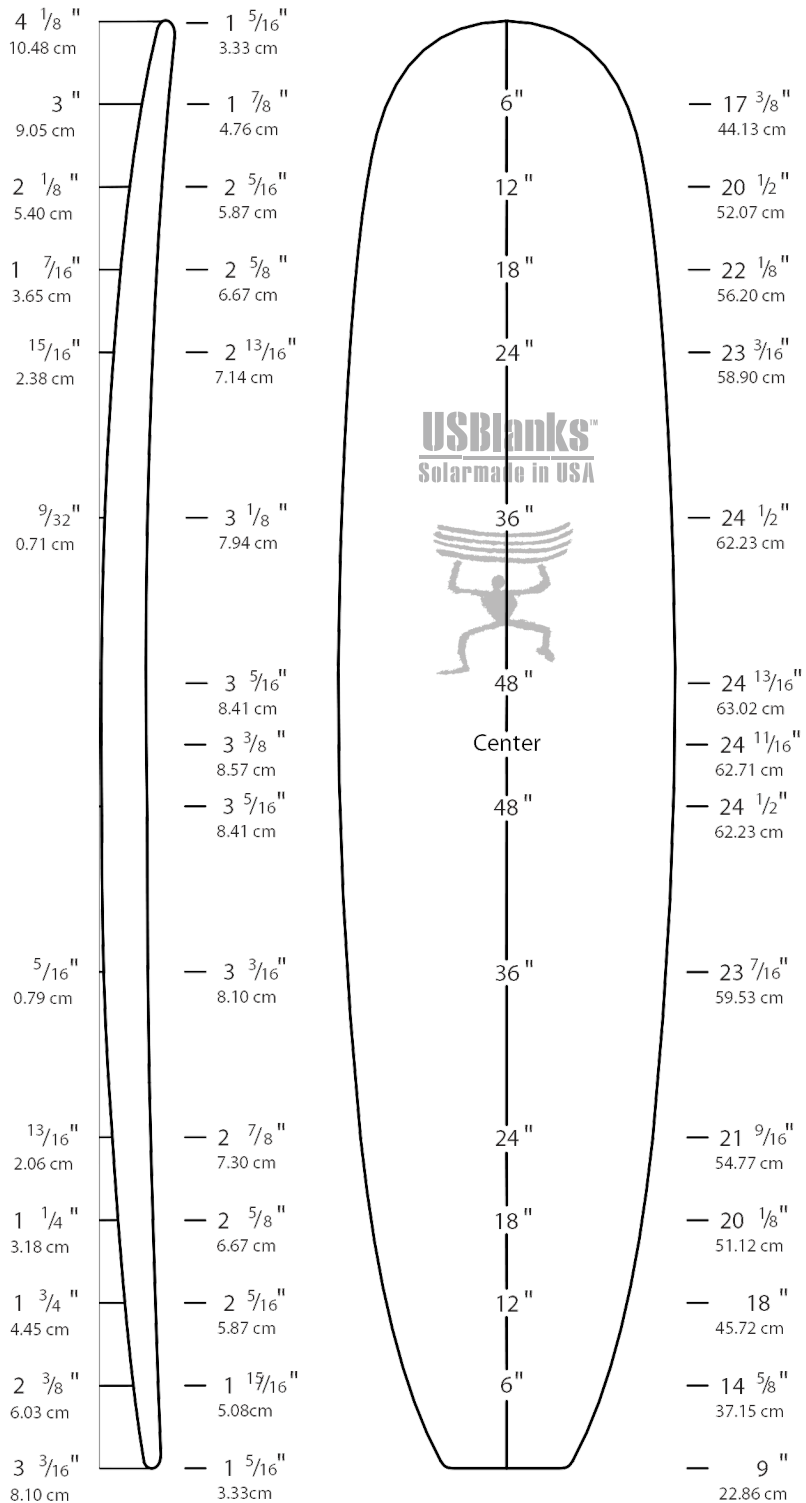
8'9"Y

Designed by

RENNY YATER

Introduced April 2007

ROCKER THICKNESS WIDTH



Overall Bottom Length: 8'9" (266.70 cm)

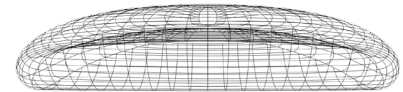
Tip-to-Tip Deck Length: 8'8 1/2" (265.43 cm)

Max Width: 24 13/16" (63.02 cm)

Max Thickness: 3 3/8" (8.57 cm)

Displacement: 3.25 ft³ (92.1 L)

Natural Rocker: 4 1/8"N 3 3/16"T



"This was designed with the popular 9'3"Y as the reference and intended for 8'6" Longboards. As compared to the 9'3"Y it has proportionally less volume. It's 6" shorter, 1/4" narrower, 1/8" thinner and a little wider in the tail area."

RENNY YATER



LONGBOARD

8'9"YX

Designed by

RENNY YATER

Introduced April 2007

Overall Bottom Length: 8'9" (266.70 cm)

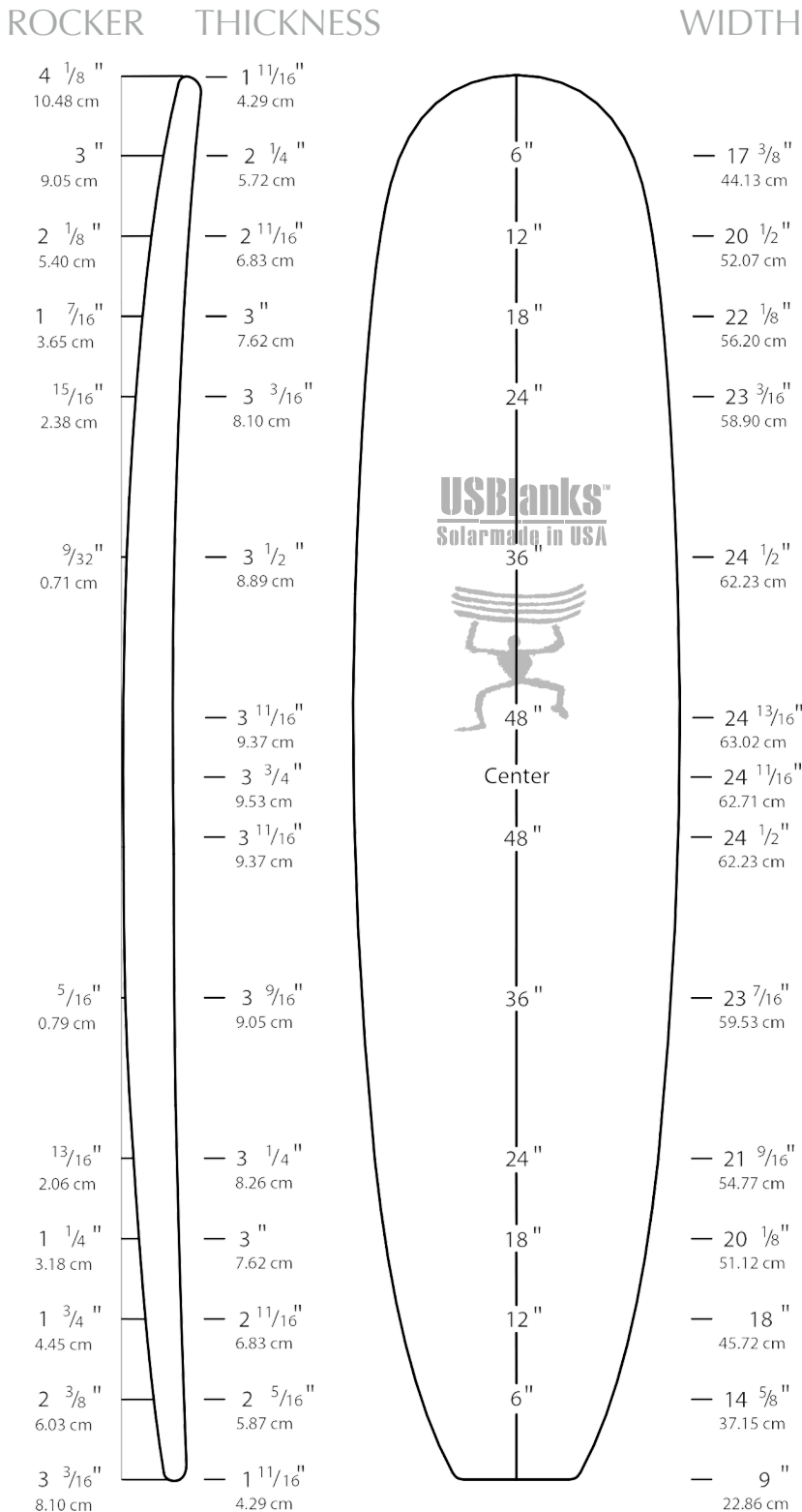
Tip-to-Tip Deck Length: 8'8 1/2" (265.43 cm)

Max Width: 24 13/16" (63.02 cm)

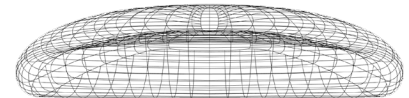
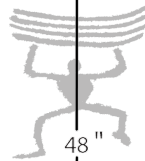
Max Thickness: 3 3/4" (9.53 cm)
8'9"Y with 3/8" added thickness overall

Displacement: 3.73 ft³ (105.7 L)

Natural Rocker: 4 1/8"N 3 3/16"T



USBlanks
Solarmade in USA



"This is the 3/8" thicker version of the 8'9"Y, designed with the popular 9'3"Y as the reference and intended for 8'6" Longboards. As compared to the 9'3"Y it has proportionally less volume. It's 6" shorter, 1/4" narrower, 1/8" thinner and a little wider in the tail area."

RENNY YATER



GUN

9'2" A

Designed by

PAT RAWSON

Introduced September 2006

Overall Bottom Length: 9'3" (281.94 cm)

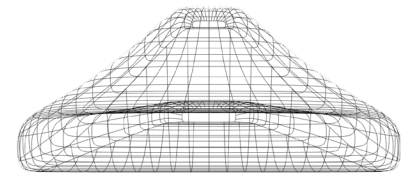
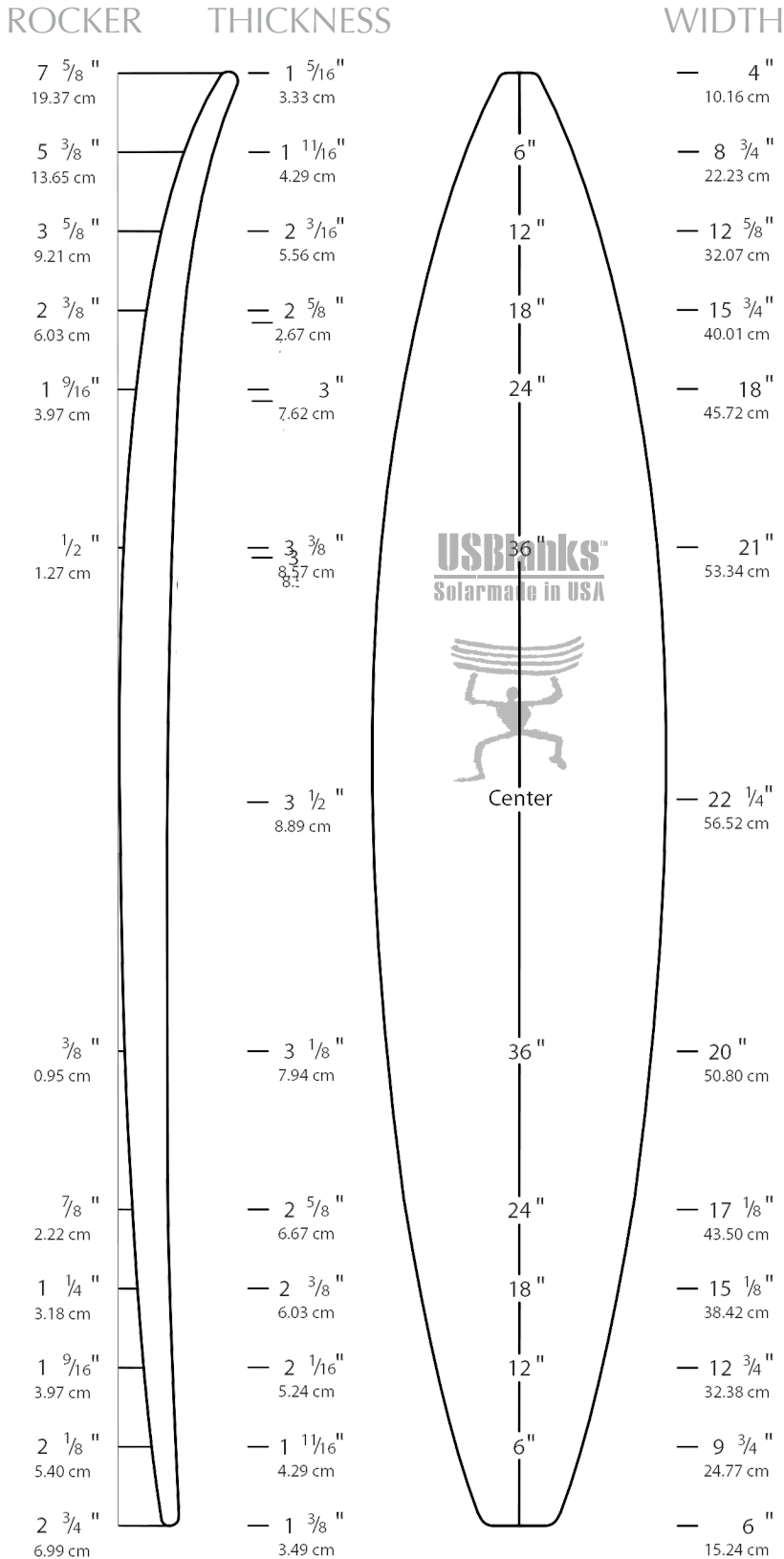
Tip-to-Tip Deck Length: 9'2" (279.40 cm)

Max Width: 22 1/4" (56.52 cm)

Max Thickness: 3 1/2" (8.89 cm)

Displacement: 3.12 ft³ (88.3 L)

Natural Rocker: 7 5/8" N 2 3/4" T



"The 9'2" A blank easily nets 9'2" bottom length. It's designed for classic big wave paddle-in Guns. The Natural Rocker is good for vee in the tail and contoured bottom designs. The Hawaii rocker can be used for high performance styles."

PAT RAWSON



FUNBOARD

9'3"A

Designed by

PAT RAWSON

Introduced July 2008

ROCKER

THICKNESS

WIDTH

7 11/16"
19.56 cm

5 1/2"
13.97 cm

3 3/4"
9.53 cm

2 1/2"
6.35 cm

1 9/16"
3.97 cm

1/2"
1.27 cm

1/16"
0.16 cm

3/32"
0.24 cm

7/16"
1.11 cm

1"
2.54 cm

1 3/8"
3.49 cm

1 7/8"
4.76 cm

2 7/16"
6.19 cm

3 1/16"
7.78 cm

1 3/8"
3.49 cm

1 1/16"
4.29 cm

2 1/4"
5.72 cm

2 7/8"
7.30 cm

3 7/16"
8.73 cm

4"
10.16 cm

4 1/4"
10.80 cm

4 5/16"
10.95 cm

4 3/16"
10.64 cm

3 7/8"
9.84 cm

3 3/8"
8.57 cm

3 1/16"
7.78 cm

2 3/4"
6.96 cm

2 1/4"
5.72 cm

1 3/4"
4.45 cm

6"

12"

18"

24"

36"

48"

48"

36"

24"

18"

12"

6"

4"
10.16 cm

12 5/16"
31.27 cm

17 1/8"
43.50 cm

20 1/4"
51.44 cm

22 1/4"
56.52 cm

24 1/2"
62.23 cm

25 5/16"
64.29 cm

25 1/2"
64.77 cm

25 1/8"
63.82 cm

23 7/8"
60.64 cm

21 3/8"
54.29 cm

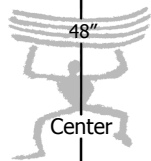
19 7/16"
49.37 cm

16 15/16"
43.02 cm

13 5/8"
34.61 cm

8 1/2"
21.59 cm

USBlanks®
Solarmade in USA



Overall Bottom Length: 9'3 9/16" (283.37 cm)

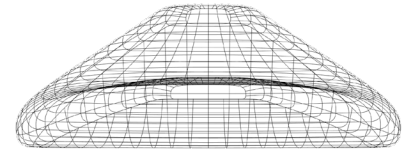
Tip-to-Tip Deck Length: 9'2 5/8" (280.99 cm)

Max Width: 25 1/2" (64.77 cm)

Max Thickness: 4 5/16" (10.95 cm)

Displacement: 4.30 ft³ (121.7 L)

Natural Rocker: 7 11/16"N 3 1/16"T



"I designed the 9'3"A to be a very serious 'big guy' longer version of the 8'2"A for either high performance, retros, or fun Guns. Designed with a performance bottom curve and enough volume for 375lbs surfers. It should be able to yield 9' x 24.5" x 4" with ability to position the overall rocker and nose widths as needed. Cutting 2" off the nose will enable an 18 3/4" nose width at 12" back and accommodate 'big guy' Fish designs.

Special thanks to Ben Aipa for inspiration on this and the 8'2"A."

PAT RAWSON



FUNBOARD

9'3"AX

Designed by

PAT RAWSON

Introduced July 2008

ROCKER

7 1/16"
19.56 cm

5 1/2"
13.97 cm

3 3/4"
9.53 cm

2 1/2"
6.35 cm

1 9/16"
3.97 cm

1/2"
1.27 cm

1/16"
0.16 cm

3/32"
0.24 cm

7/16"
1.11 cm

1"
2.54 cm

1 3/8"
3.49 cm

1 7/8"
4.76 cm

2 7/16"
6.19 cm

3 1/16"
7.78 cm

THICKNESS

1 3/4"
4.45 cm

2 1/16"
5.24 cm

2 5/8"
6.67 cm

3 1/4"
8.26 cm

3 13/16"
9.68 cm

4 3/8"
11.11 cm

4 5/8"
11.75 cm

4 11/16"
11.91 cm

4 9/16"
11.59 cm

4 1/4"
10.80 cm

3 3/4"
9.53 cm

3 7/16"
8.73 cm

3 1/8"
7.94 cm

2 5/8"
6.67 cm

2 1/8"
5.40 cm

WIDTH

4"
10.16 cm

12 5/16"
31.27 cm

17 1/8"
43.50 cm

20 1/4"
51.44 cm

22 1/4"
56.52 cm

24 1/2"
62.23 cm

25 5/16"
64.29 cm

25 1/2"
64.77 cm

25 1/8"
63.82 cm

23 7/8"
60.64 cm

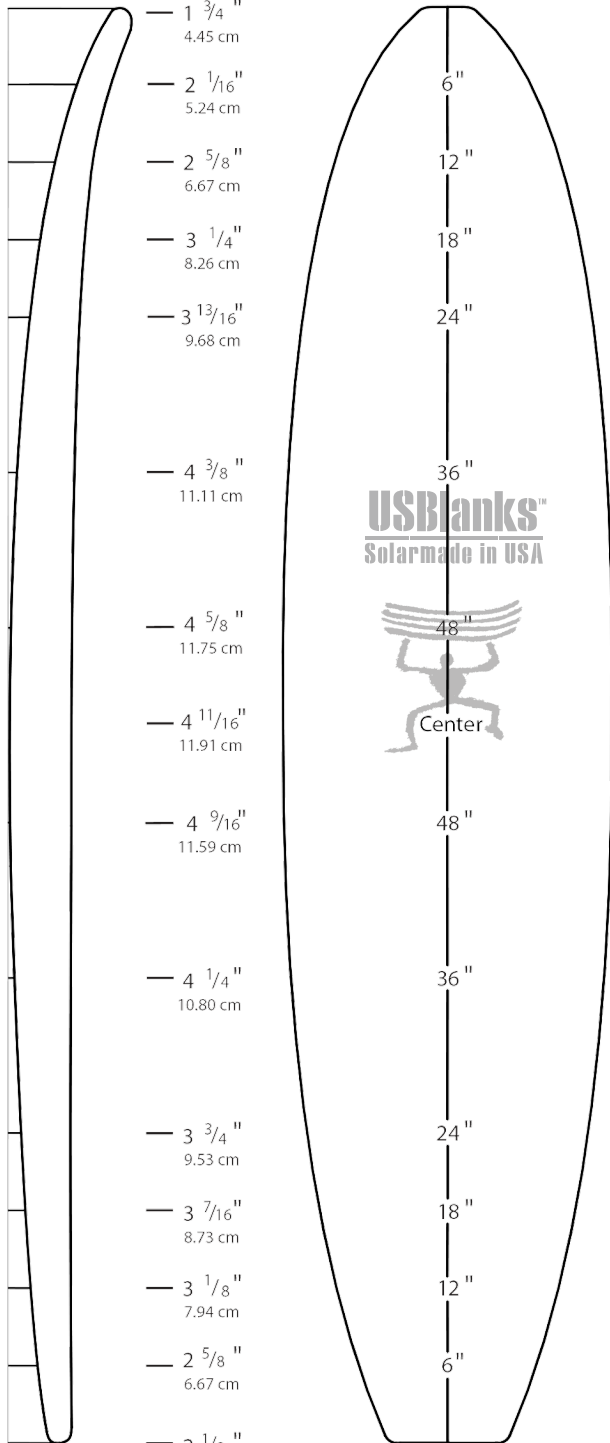
21 3/8"
54.29 cm

19 7/16"
49.37 cm

16 15/16"
43.02 cm

13 5/8"
34.61 cm

8 1/2"
21.59 cm



Overall Bottom Length: 9'3 9/16" (283.37 cm)

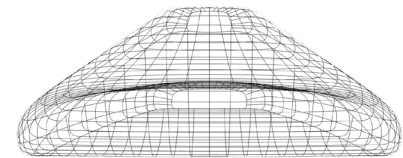
Tip-to-Tip Deck Length: 9'2 5/8" (280.99 cm)

Max Width: 25 1/2" (64.77 cm)

Max Thickness: 4 11/16" (11.91 cm)
9'3"A with 3/8" added thickness overall.

Displacement: 4.30 ft³ (121.7 L)

Natural Rocker: 7 11/16"N 3 1/16"T



"This is the 3/8" thicker version of the 9'3"A, designed the 9'3"A to be a very serious 'big guy' longer version of the 8'2"A for either high performance, retros, or fun Guns. Designed with a performance bottom curve and enough volume for 375lbs surfers. It should be able to yield 9' x 24.5" x 4" with ability to position the overall rocker and nose widths as needed. Cutting 2" off the nose will enable an 18 3/4" nose width at 12" back and accommodate 'big guy' Fish designs.

Special thanks to Ben Aipa for inspiration on this and the 8'2"A."

PAT RAWSON



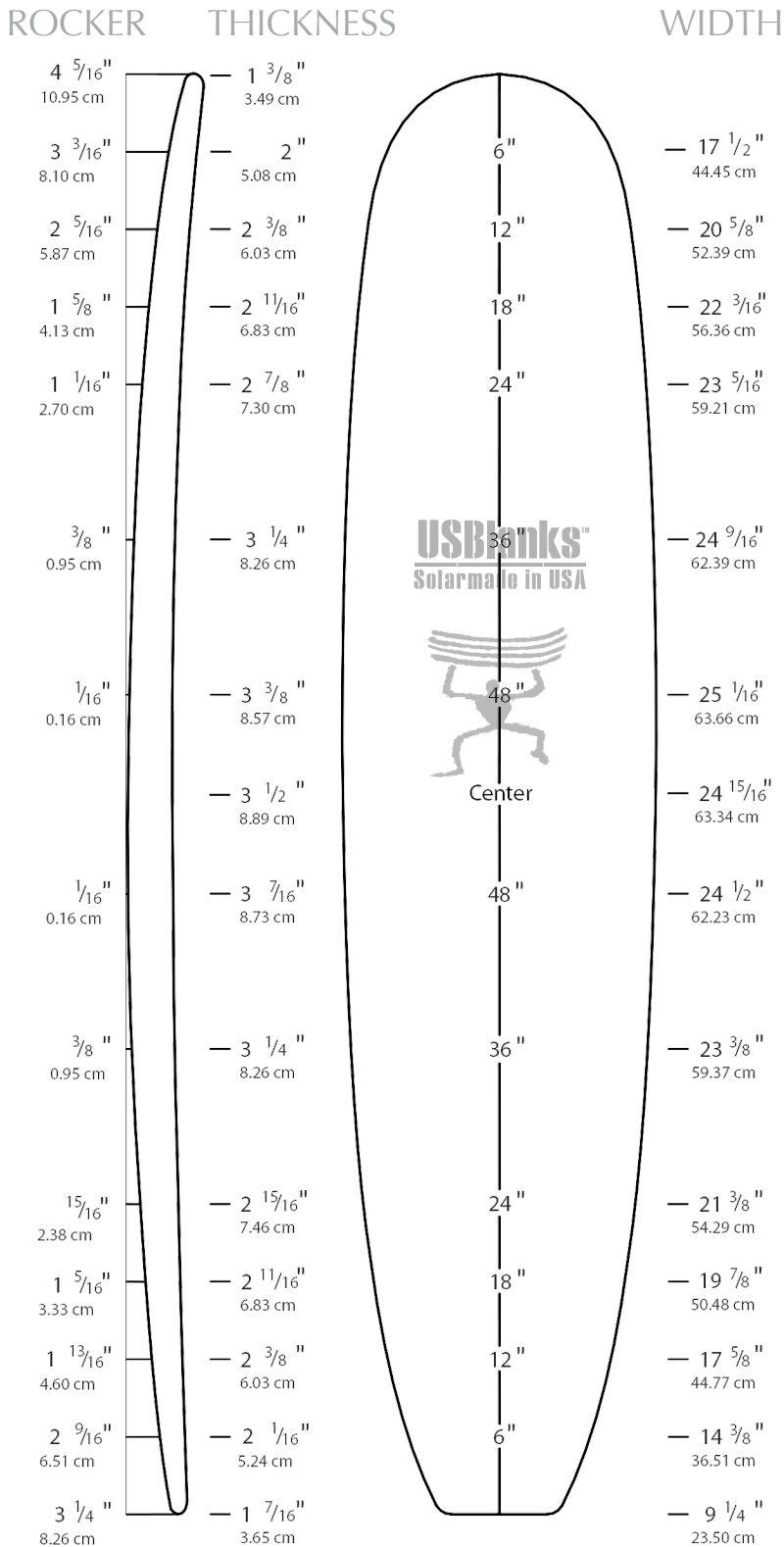
LONGBOARD

9'3"Y

Designed by

RENNY YATER

Introduced July 2006



Overall Bottom Length: 9'3" (281.94 cm)

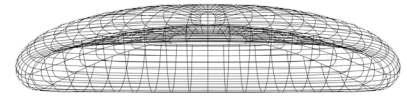
Tip-to-Tip Deck Length: 9'2 5/8" (280.99 cm)

Max Width: 25 1/16" (63.66 cm)

Max Thickness: 3 1/2" (8.89 cm)

Displacement: 3.70 ft³ (104.7 L)

Natural Rocker: 4 5/16"N 3 1/4"T



"Intended for classic Longboard designs under the 9'1" range. The 9'3"Y has proven to be one of the most popular blanks. The Natural Rocker is in the middle of the demand curve. But remember, the further you change the Natural Rocker, the wider the wood stringer it needs to hold it from springback."

RENNY YATER



LONGBOARD

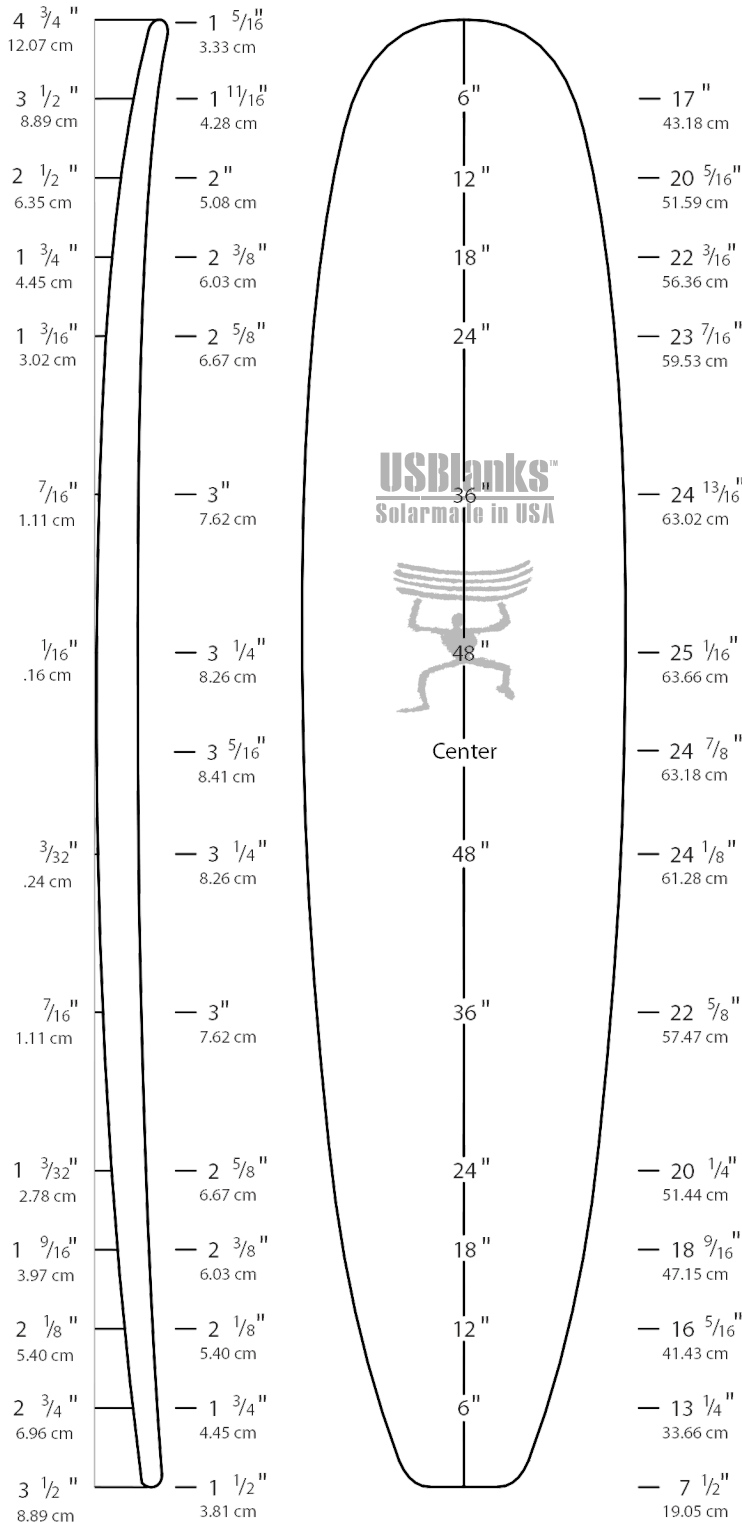
9'4"B

Designed by

BRUCE JONES

Introduced July 2006

ROCKER THICKNESS WIDTH



Overall Bottom Length: 9'3 1/2" (283.21 cm)

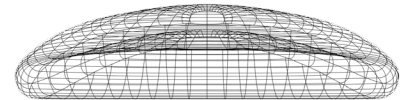
Tip-to-Tip Deck Length: 9'3 1/16" (282.10 cm)

Max Width: 25 1/16" (63.66 cm)

Max Thickness: 3 5/16" (8.41 cm)

Displacement: 3.42 ft³ (96.7 L)

Natural Rocker: 4 3/4"N 3 1/2"T



"From the original 9'4"B plug with thickness added to the tail area of the deck to make it a more shaper friendly blank. Close tolerance for strength. Will net 24" x 3 1/8". Bottom rockers from the previous 9'4"B will work well with this blank."

BRUCE JONES



LONGBOARD

9'5" M

Designed by

MATT YERXA

Introduced August 2007

Overall Bottom Length: 9'4 7/16" (285.59 cm)

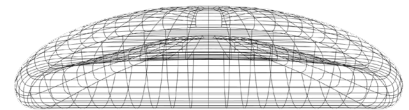
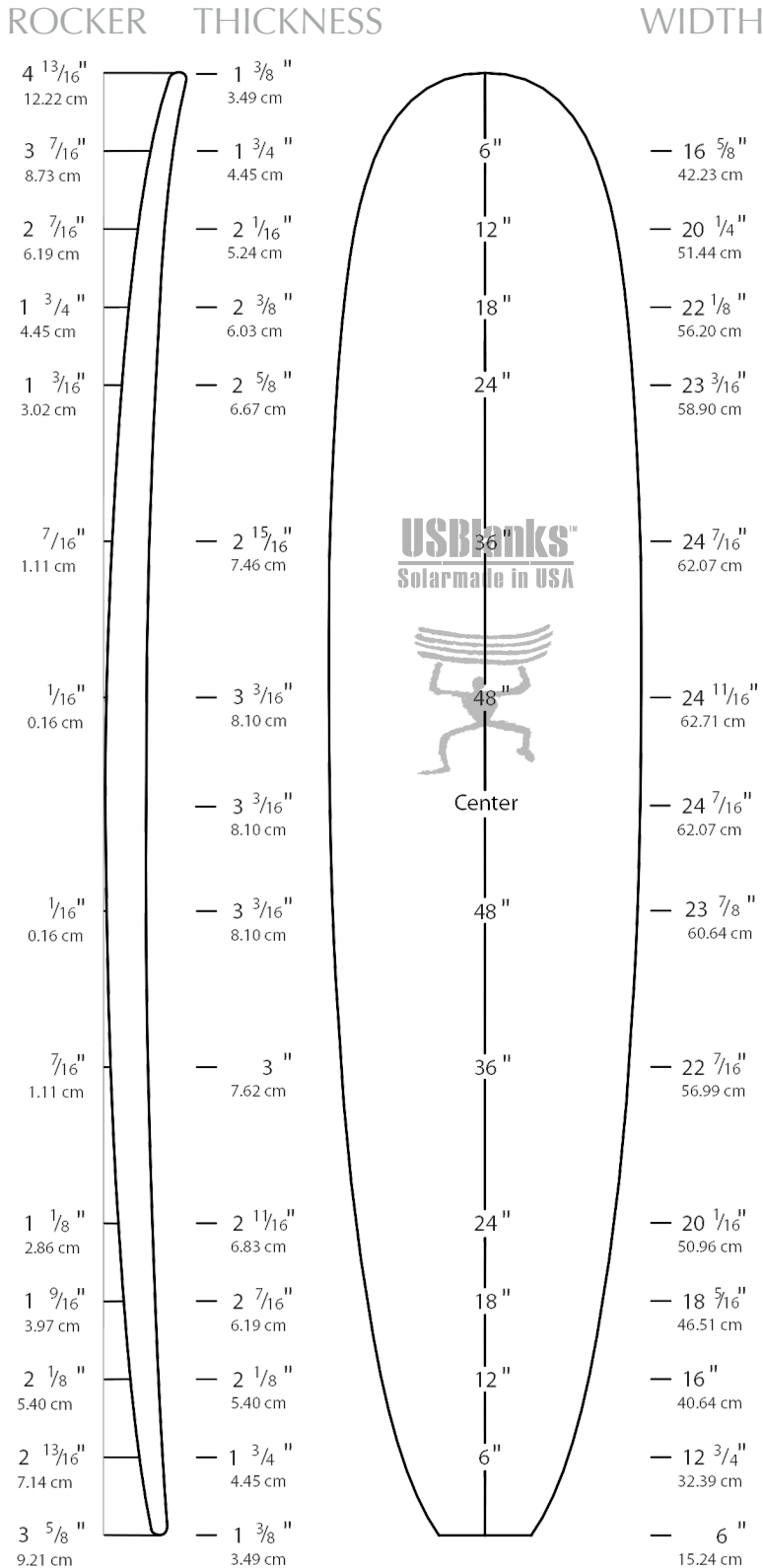
Tip-to-Tip Deck Length: 9'3 3/4" (283.85 cm)

Max Width: 24 11/16" (62.71 cm)

Max Thickness: 3 3/16" (8.10 cm)

Displacement: 3.27 ft³ (92.7 L)

Natural Rocker: 4 13/16" N 3 5/8" T



"This is a versatile high performance Longboard blank designed to accommodate both machine and hand shaping. The deck immoderately flat with a slight taper toward the tail to ensure maximum strength. It has slightly more volume in the nose and tail to allow more rocker to be shaped-in if desired."

MATT YERXA



LONGBOARD

9'8"Y

Designed by

RENNY YATER

Introduced July 2006

Overall Bottom Length: 9'8 1/8" (294.96 cm)

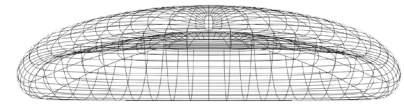
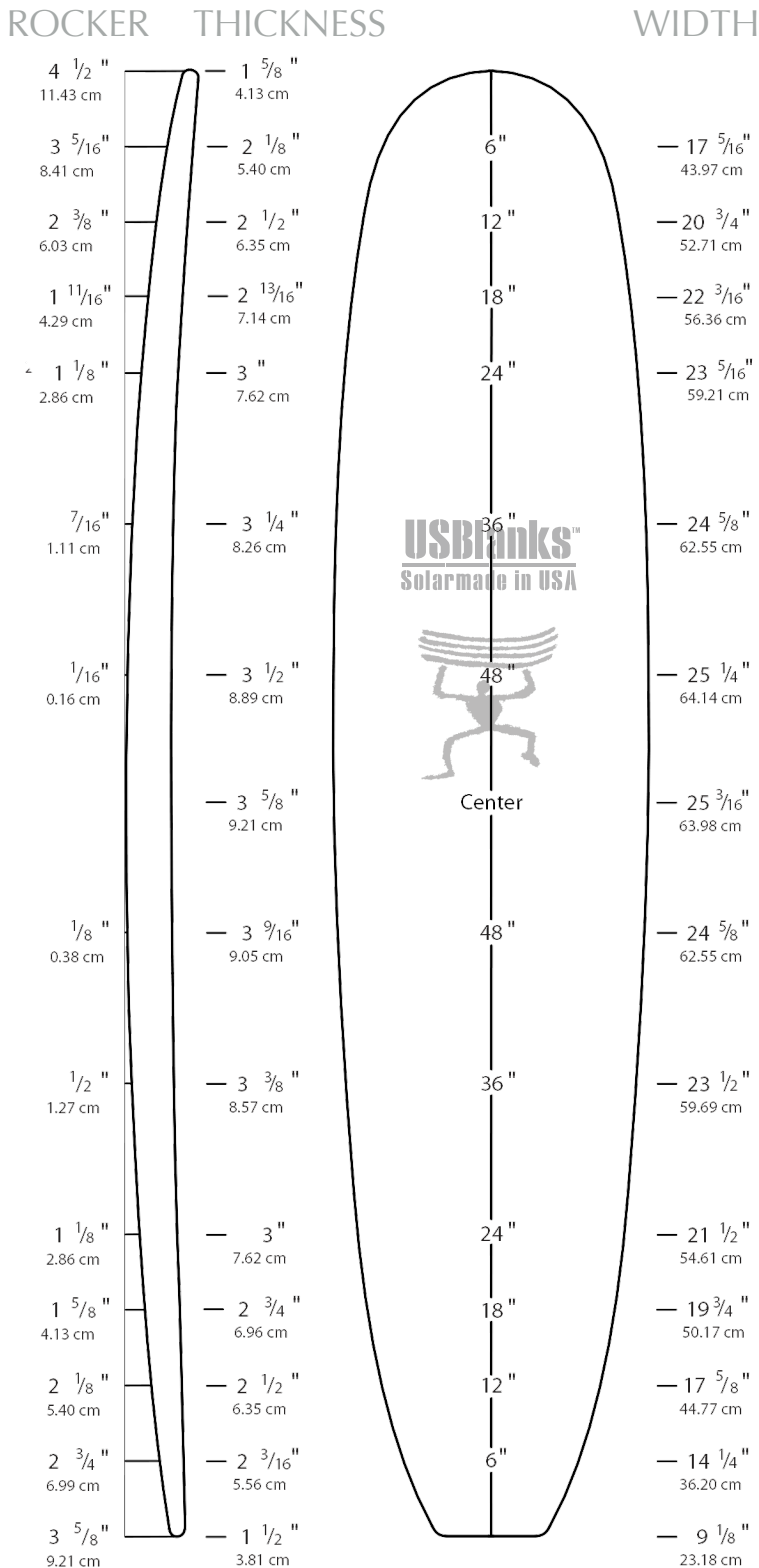
Tip-to-Tip Deck Length: 9'7 3/4" (294.01 cm)

Max Width: 25 1/4" (64.14 cm)

Max Thickness: 3 5/8" (9.21 cm)

Displacement: 4.19 ft³ (118.7 L)

Natural Rocker: 4 1/2"N 3 5/8"T



"Intended for classic Longboard designs under the 9'6" range. The Natural Rocker is in the middle of the demand curve. But remember, the further you change the Natural Rocker, the wider the wood stringer it needs to hold it from springback."

RENNY YATER



GUN

9'9" A

Designed by

PAT RAWSON

Introduced September 2006

Overall Bottom Length: 9'9 1/4" (297.82 cm)

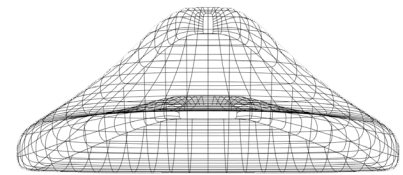
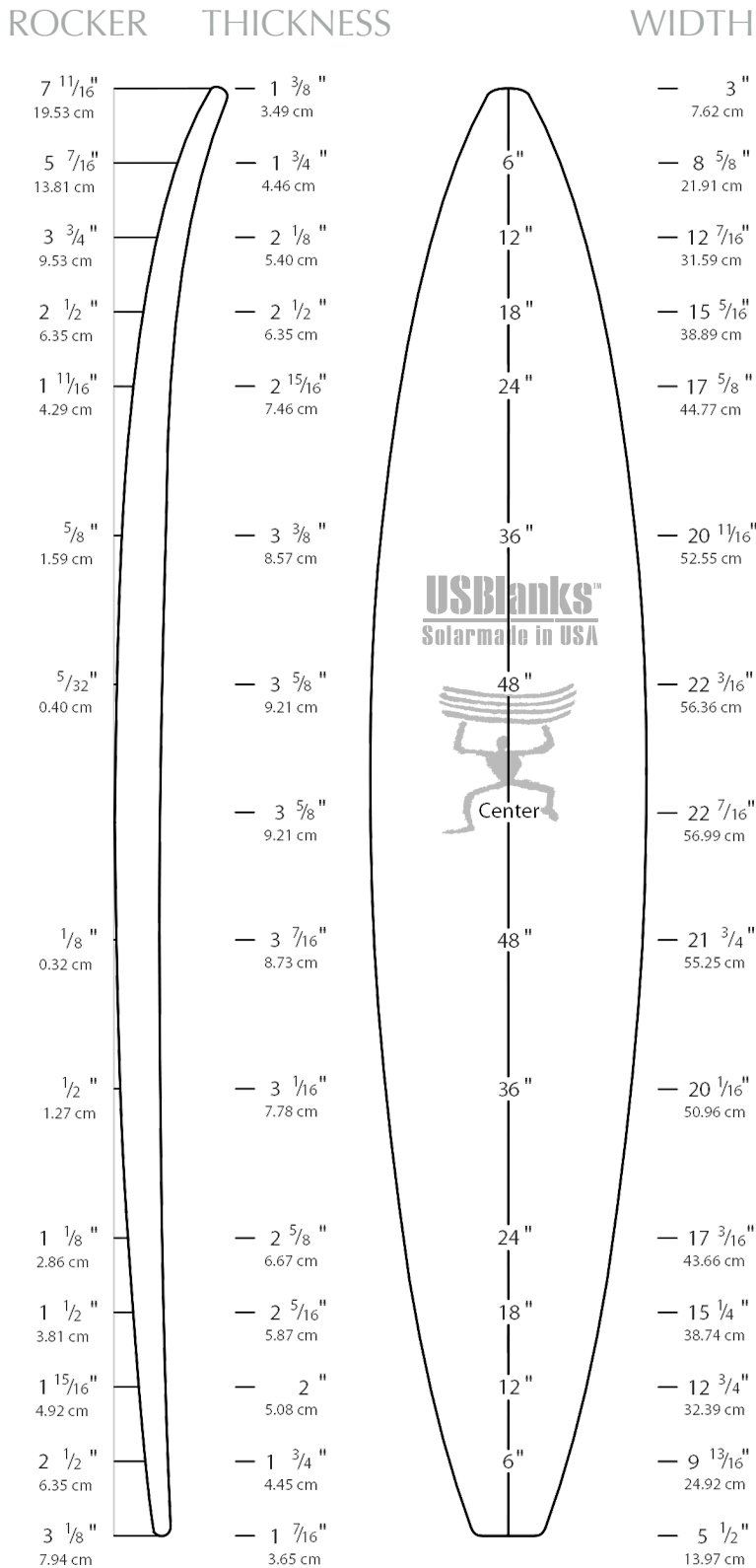
Tip-to-Tip Deck Length: 9'8 3/8" (295.59 cm)

Max Width: 22 7/16" (56.99 cm)

Max Thickness: 3 11/16" (9.37 cm)

Displacement: 3.23 ft³ (91.5 L)

Natural Rocker: 7 11/16" N 3 1/8" T



"The 9'9" A easily nets 9'8" bottom length and is intended for big wave paddle Guns. The Natural Rocker is good for vee in the tail and contoured bottom designs. The Hawaii rocker can be used for high performance styles."

PAT RAWSON



GUN

9'9"AX

Designed by

PAT RAWSON

Introduced September 2006

Overall Bottom Length: 9'9 1/4" (297.82 cm)

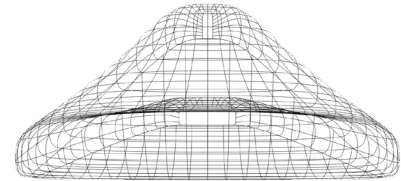
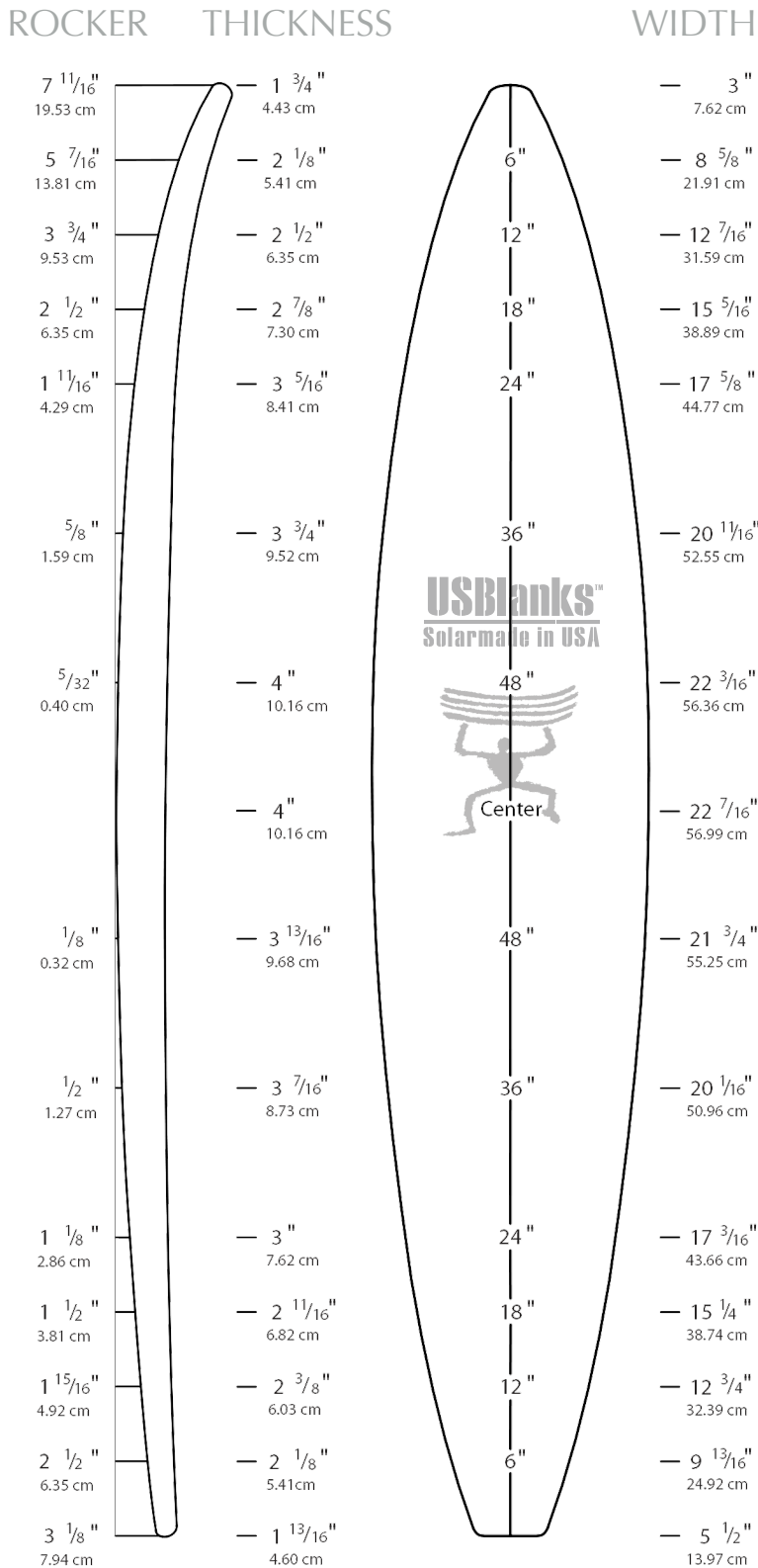
Tip-to-Tip Deck Length: 9'8 3/8" (295.59 cm)

Max Width: 22 7/16" (56.99 cm)

Max Thickness: 3 11/16" (9.37 cm)
9'9"A with 3/8" added thickness overall

Displacement: 3.23 ft³ (91.5 L)

Natural Rocker: 7 11/16"N 3 1/8"T



"3/8" thicker than the 9'9"A. The 9'9"AX easily nets 9'8" bottom length and is intended for big wave paddle Guns. The Natural Rocker is good for vee in the tail and contoured bottom designs. The Hawaii rocker can be used for high performance styles."

PAT RAWSON



LONGBOARD

9'9" B

Designed by

BRUCE JONES

Introduced July 2006

Overall Bottom Length: 9'9 5/8" (298.77 cm)

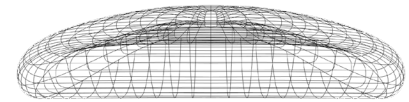
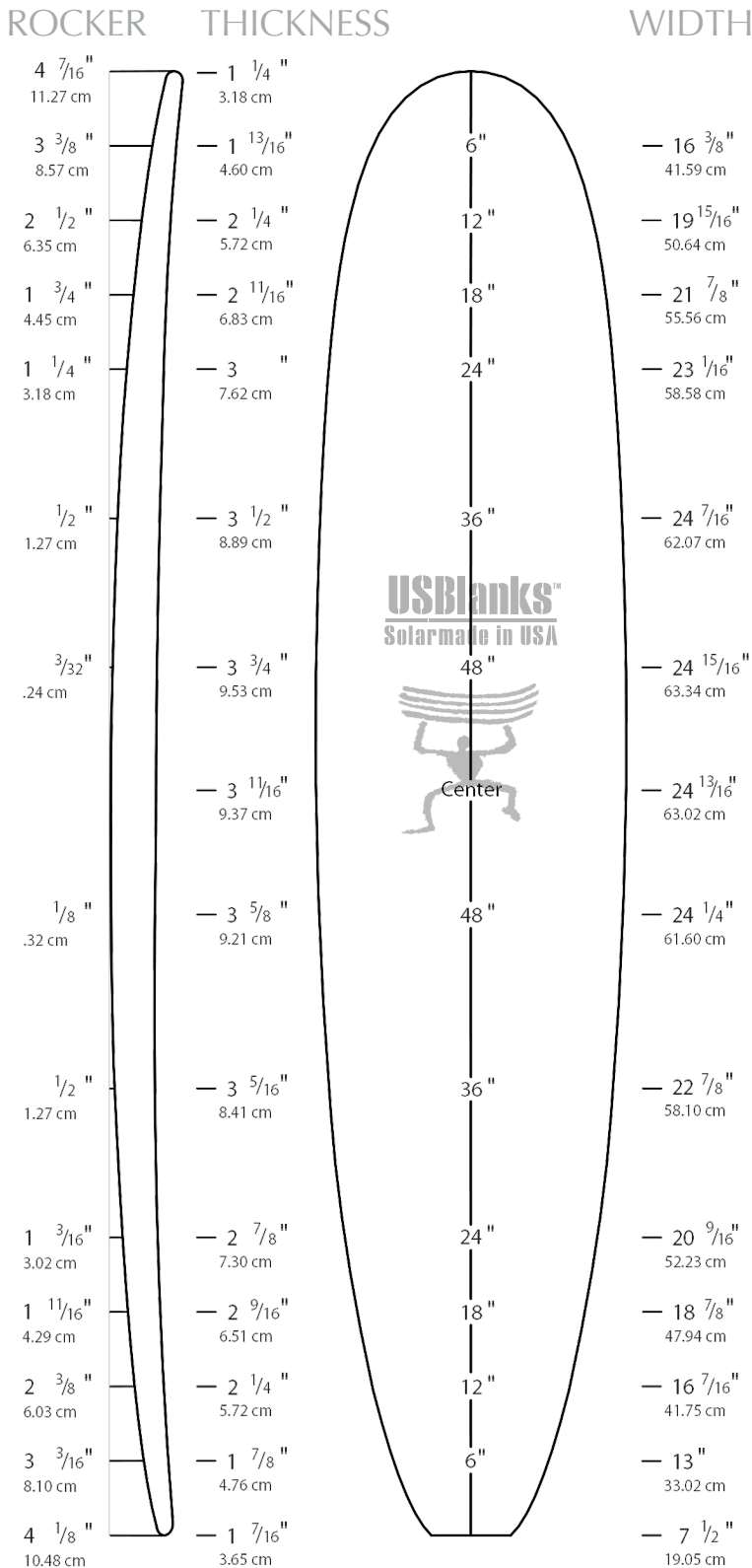
Tip-to-Tip Deck Length: 9'9 1/8" (297.50 cm)

Max Width: 24 15/16" (63.34 cm)

Max Thickness: 3 3/4" (9.53 cm)

Displacement: 4.022 ft³ (113.9 L)

Natural Rocker: 4 7/16" N 4 1/8" T



"Intended for Longboard shapes from 9'2" to 9'6", this is a close tolerance blank that will net 24" x 3 1/4" maximum dimensions. Natural Rocker will make a nice all-around Longboard shape. Rockers from the previous 9'8" will work well with this blank."

BRUCE JONES



GUN

10'0"BG

Designed by

**PAT RAWSON &
ERIC ARAKAWA**

Introduced November 2015

Overall Bottom Length: 10'1 1/2" (308.61 cm)

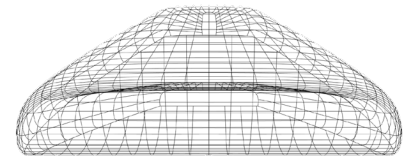
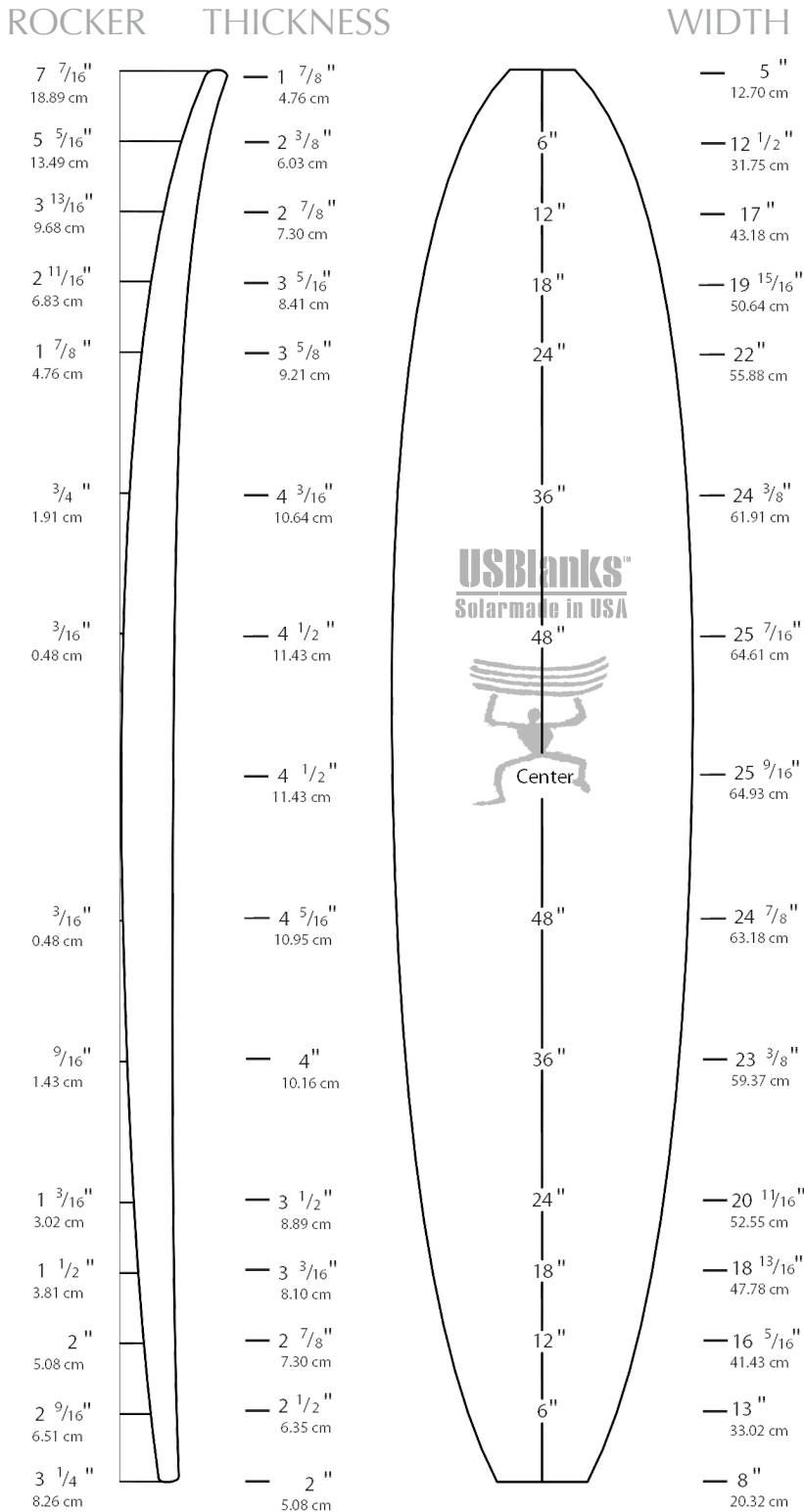
Tip-to-Tip Deck Length: 10'0 3/8" (305.73 cm)

Max Width: 25 5/8" (65.09 cm)

Max Thickness: 4 9/16" (11.59 cm)

Displacement: 5.265 ft³ (149.1 L)

Natural Rocker: 7 7/16"N 3 1/4"T



"The 10'0"BG is the longer version of the 9'3"A and the shorter version of the 10'8"BG. It should fit nicely between both sizes for the bigger guy, thicker Gun style shapes."

PAT RAWSON



LONGBOARD

10'1"C

Designed by

MATT CALVANI

Introduced February 2016

Overall Bottom Length: 10'2" (309.88 cm)

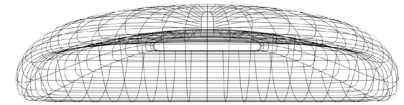
Tip-to-Tip Deck Length: 10'1 3/8" (308.29 cm)

Max Width: 25 7/16" (64.61 cm)

Max Thickness: 4 1/8" (10.48 cm)

Displacement: 5.053 ft³ (143.1 L)

Natural Rocker: 4 7/16"N 3 5/8"T

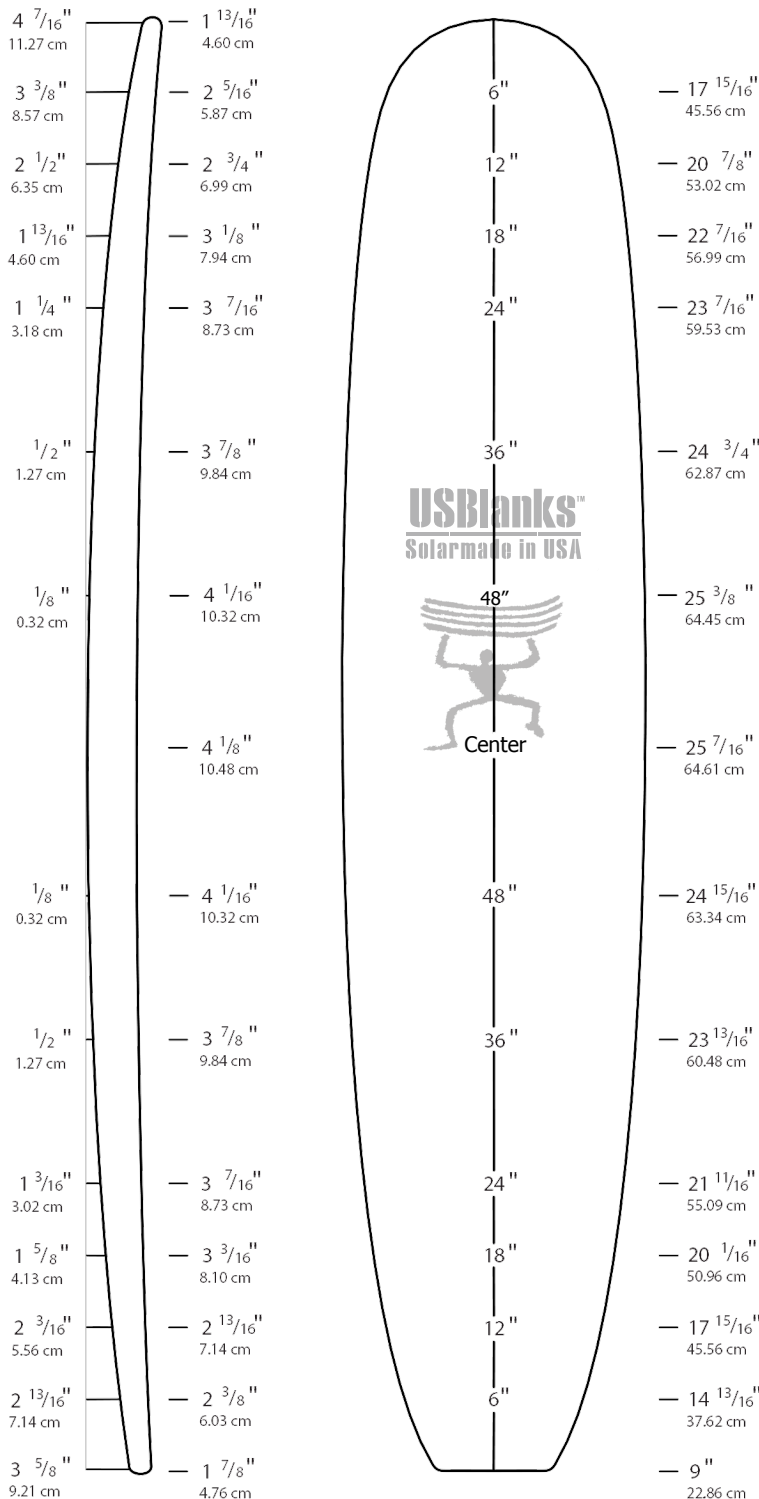


"The 10'1"C is a shorter version of the 10'8"C, designed to net a finished thickness from 3 3/8" to 3 7/8" or more. I recommend the 10'2"B for thinner boards. The 10'1"C features a flat deck with a fuller rail and wider nose and tail to accommodate classic Longboards, Pigs, and high performance Longboards. Despite the thickness, it's designed to accommodate broad rocker changes and fill foil out nicely at the suggested thickness."

MATT CALVANI



ROCKER THICKNESS WIDTH



LONGBOARD

10'2" B

Designed by

BRUCE JONES

Introduced July 2006

Overall Bottom Length: 10'2 1/4" (310.52 cm)

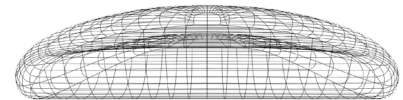
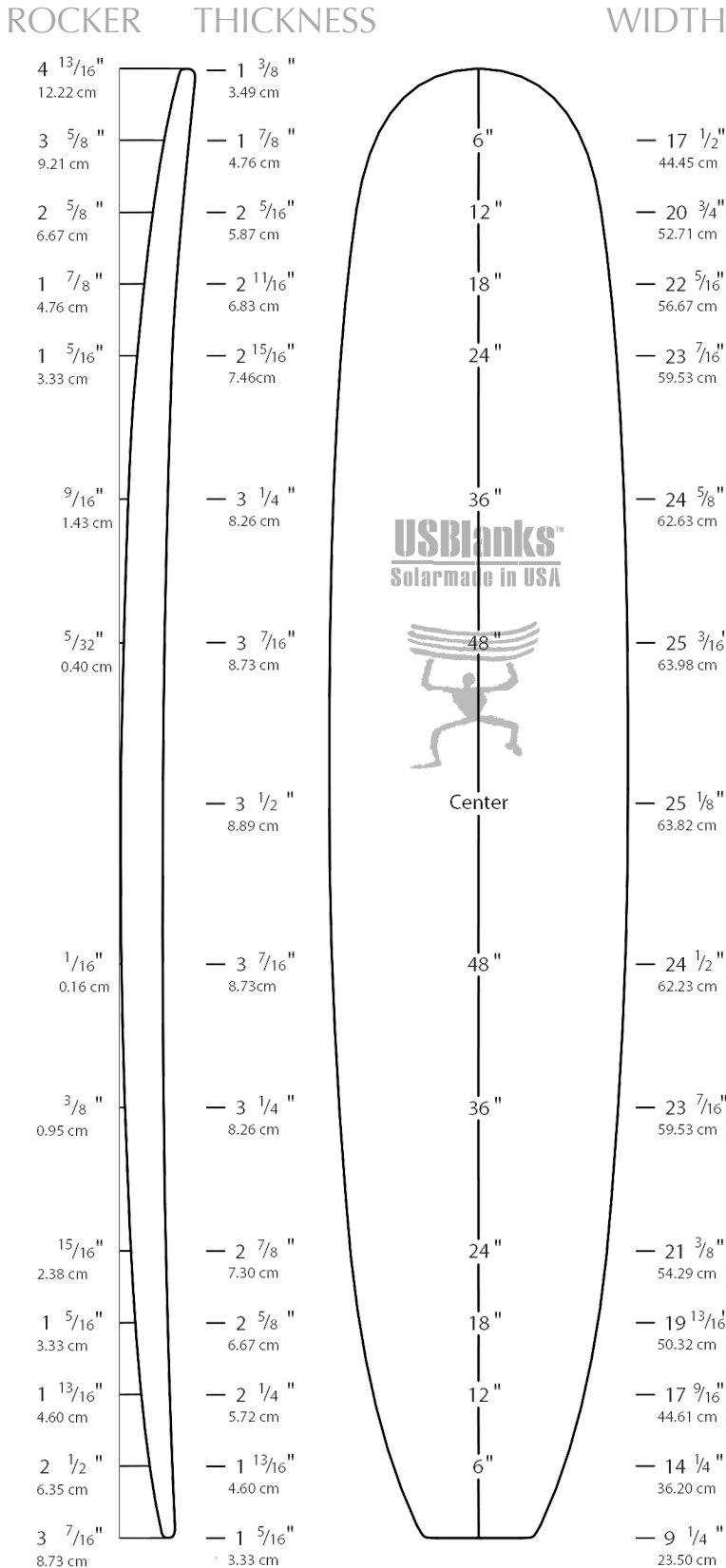
Tip-to-Tip Deck Length: 10'1 1/2" (308.61 cm)

Max Width: 25 3/16" (63.98 cm)

Max Thickness: 3 1/2" (8.89 cm)

Displacement: 4.26 ft³ (120.6 L)

Natural Rocker: 4 13/16" N 3 7/16" T



"Intended for Longboard shapes from 9'8" to 10'0", this is a close tolerance blank that will net 24" x 3 3/8" maximum dimensions. Rockers from the previous 10'1" will work well with this blank."

BRUCE JONES



LONGBOARD

10'2"BX

Designed by

BRUCE JONES

Introduced July 2006

Overall Bottom Length: 10'2 1/4" (310.52 cm)

Tip-to-Tip Deck Length: 10'1 1/2" (308.61 cm)

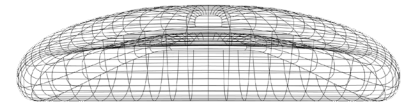
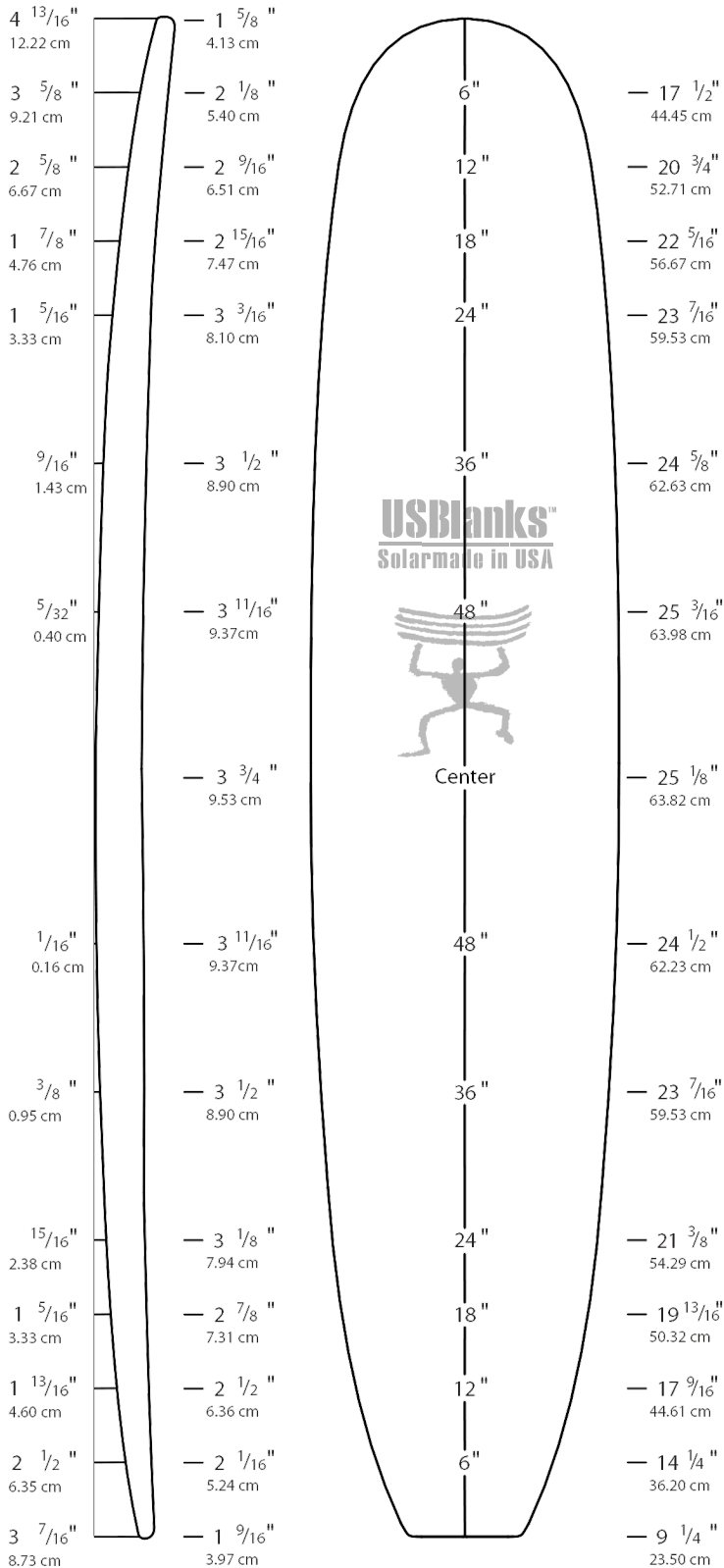
Max Width: 25 3/16" (63.98 cm)

Max Thickness: 3 3/4" (9.53 cm)
10'2"B with 1/4" added thickness overall

Displacement: 4.26 ft³ (120.6 L)

Natural Rocker: 4 13/16"N 3 7/16"T

ROCKER THICKNESS WIDTH



"This is the 10'2"B with 1/4" thickness added overall. Intended for Longboard shapes from 9'8" to 10'0", this is a close tolerance blank that will net 24" x 3 3/8" maximum dimensions. Rockers from the previous 10'1" will work well with this blank."

BRUCE JONES



GUN

10'6" A

Designed by

PAT RAWSON

Introduced September 2006

Overall Bottom Length: 10'6 3/4" (321.95 cm)

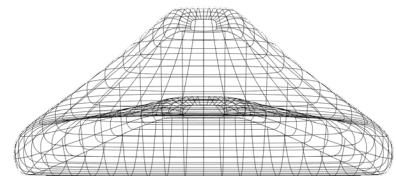
Tip-to-Tip Deck Length: 10'5 7/8" (319.72 cm)

Max Width: 23 3/16" (58.90 cm)

Max Thickness: 3 3/4" (9.53 cm)

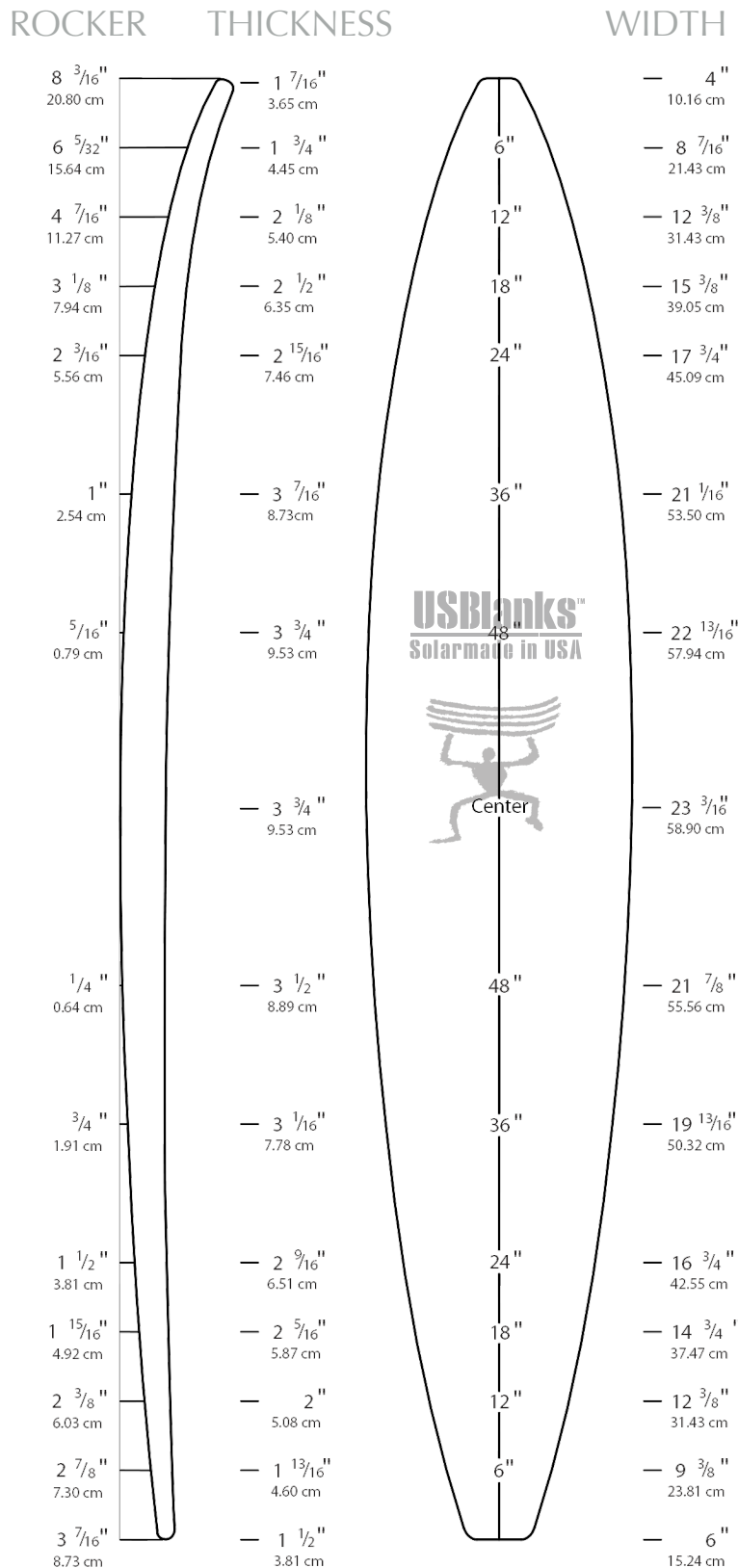
Displacement: 3.77 ft³ (106.8 L)

Natural Rocker: 8 3/16"N 3 7/16"T



"The 10'6" A easily nets 10'5" bottom length. The Natural Rocker is good for vee in the tail and contoured bottom designs. The Hawaii rocker can be used for high performance styles."

PAT RAWSON



GUN

10'6" AX

Designed by

PAT RAWSON

Introduced September 2006

Overall Bottom Length: 10'6 3/4" (321.95 cm)

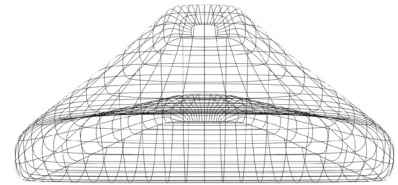
Tip-to-Tip Deck Length: 10'5 7/8" (319.72 cm)

Max Width: 23 3/16" (58.90 cm)

Max Thickness: 4 1/4" (10.80 cm)
10'6"A with 1/2" added thickness overall

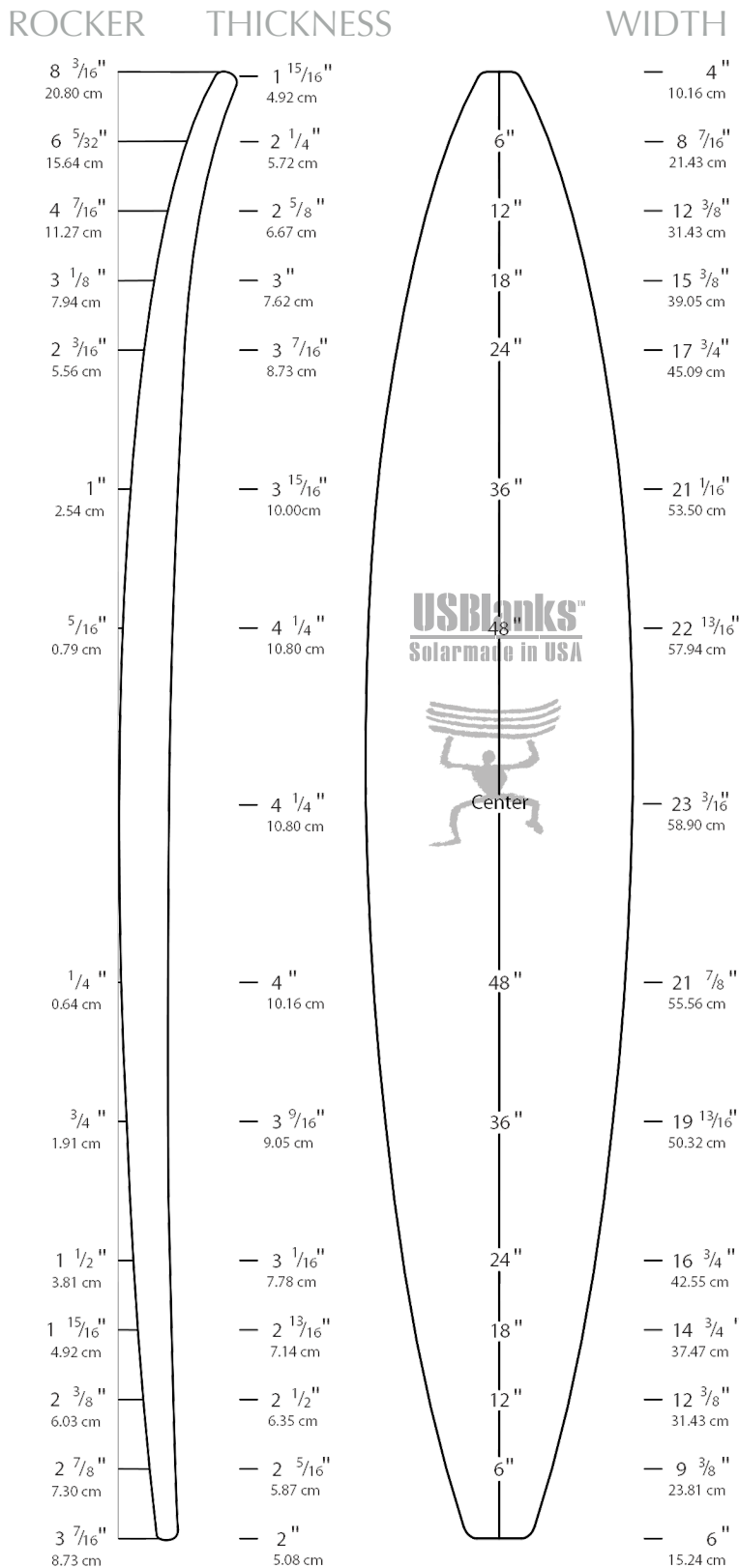
Displacement: 4.37 ft³ (123.7 L)

Natural Rocker: 8 3/16"N 3 7/16"T



"This is the 10'6"A with 1/2" thickness added overall. The 10'6"A easily nets 10'5" bottom length. The Natural Rocker is good for vee in the tail and contoured bottom designs. The Hawaii rocker can be used for high performance styles."

PAT RAWSON



GUN

10'8" BG

Designed by

**PAT RAWSON &
ERIC ARAKAWA**

Introduced November 2013

Overall Bottom Length: 10'9 1/2" (328.93 cm)

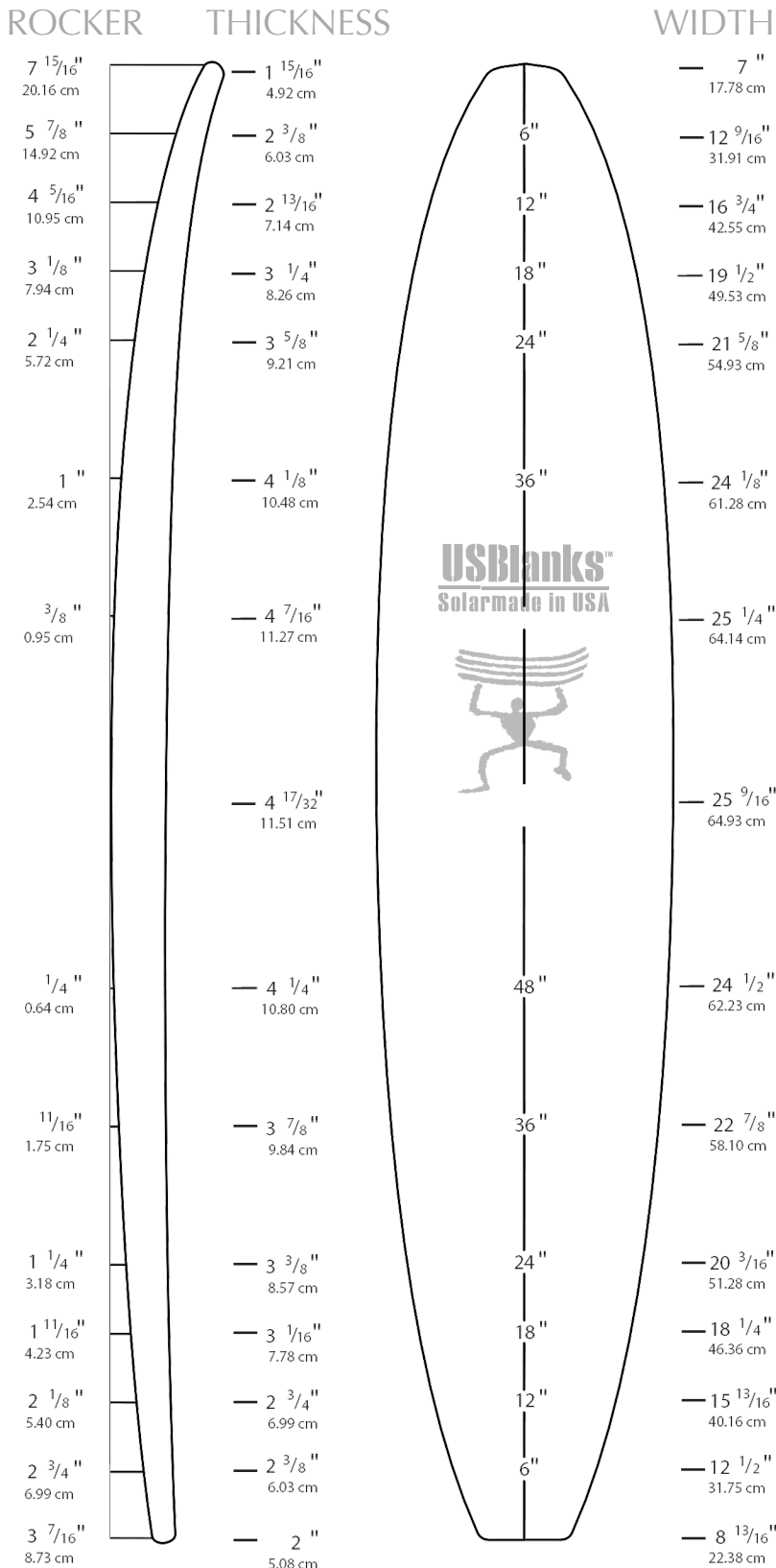
Tip-to-Tip Deck Length: 10'8 1/4" (325.76 cm)

Max Width: 25 9/16" (64.93 cm)

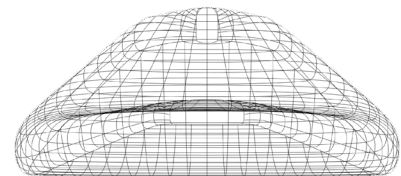
Max Thickness: 4 9/16" (11.59 cm)

Displacement: 5.63 ft³ (159.3 L)

Natural Rocker: 7 7/16"N 3 7/16"T



USBlanks[®]
Solar made in USA



"The plan was to build a combo 'Big Guy'/Gun blank, ala 'BG', that could be offset-cut narrower for performance Guns, but have a built-in wider stock width suitable for many different options. The bottom and deck contours are fairly flat in the stringer area to enable this. The rocker is universal and the Natural Rocker should offer many design opportunities due to ample thickness in the nose and tail areas."

PAT RAWSON



LONGBOARD

10'8"C

Designed by

MATT CALVANI

Introduced February 2016

Overall Bottom Length: 10'9" (327.66 cm)

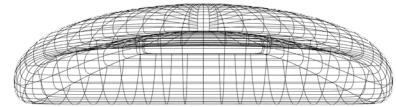
Tip-to-Tip Deck Length: 10'8 1/8" (325.44 cm)

Max Width: 26 9/16" (67.47 cm)

Max Thickness: 4 5/16" (10.95 cm)

Displacement: 5.76 ft³ (163.2 L)

Natural Rocker: 4 15/16"N 3 7/8"T



"The 10'8"C was designed to net a finished thickness of 3 5/8" to 4" or more. I recommend the 10'8"Y for 3 1/2" and thinner. The 10'8"C features a flat deck with a fuller rail and wider nose and tail to accommodate classic Longboards, Pigs, and high performance Longboards. Despite the thickness, it is designed to accommodate broad rocker changes and will foil out nicely at the suggested thickness with more than enough room to accommodate a variety of bottom contours."

MATT CALVANI



ROCKER THICKNESS

4 15/16" 12.54 cm	1 13/16" 4.60 cm
3 3/4" 9.53 cm	2 5/16" 5.87 cm
2 7/8" 7.30 cm	2 3/4" 6.99 cm
2 1/8" 5.40 cm	3 1/8" 7.94 cm
1 9/16" 3.97 cm	3 7/16" 8.73 cm
3/4" 1.91 cm	3 7/8" 9.84 cm
1/4" 0.64 cm	4 3/16" 10.64 cm
	4 5/16" 10.95 cm
3/16" 0.48 cm	4 1/4" 10.80 cm
5/8" 1.59 cm	4" 10.16 cm
1 5/16" 3.33 cm	3 9/16" 9.05 cm
1 3/4" 4.45 cm	3 1/4" 8.26 cm
2 3/8" 6.03 cm	2 7/8" 7.30 cm
3" 7.62 cm	2 7/16" 6.19 cm
3 7/8" 9.84 cm	1 15/16" 4.92 cm

WIDTH

6"	18 1/4" 46.36 cm
12"	21 7/16" 54.45 cm
18"	23 1/16" 58.58 cm
24"	24 3/16" 61.44 cm
36"	25 5/8" 65.09 cm
48"	26 5/16" 66.83 cm
Center	26 1/2" 67.31 cm
48"	25 13/16" 65.56 cm
36"	24 9/16" 62.39 cm
24"	22 5/16" 56.67 cm
18"	20 3/4" 52.71 cm
12"	18 9/16" 47.15 cm
6"	15 5/16" 38.89 cm
	10" 25.40 cm

USBlanks™
SolarMade in USA



Center

LONGBOARD

10'8"Y

Designed by

RENNY YATER

Introduced September 2006

Overall Bottom Length: 10'7 7/8" (324.80 cm)

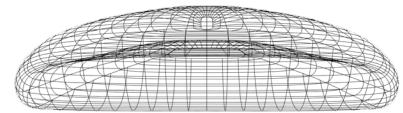
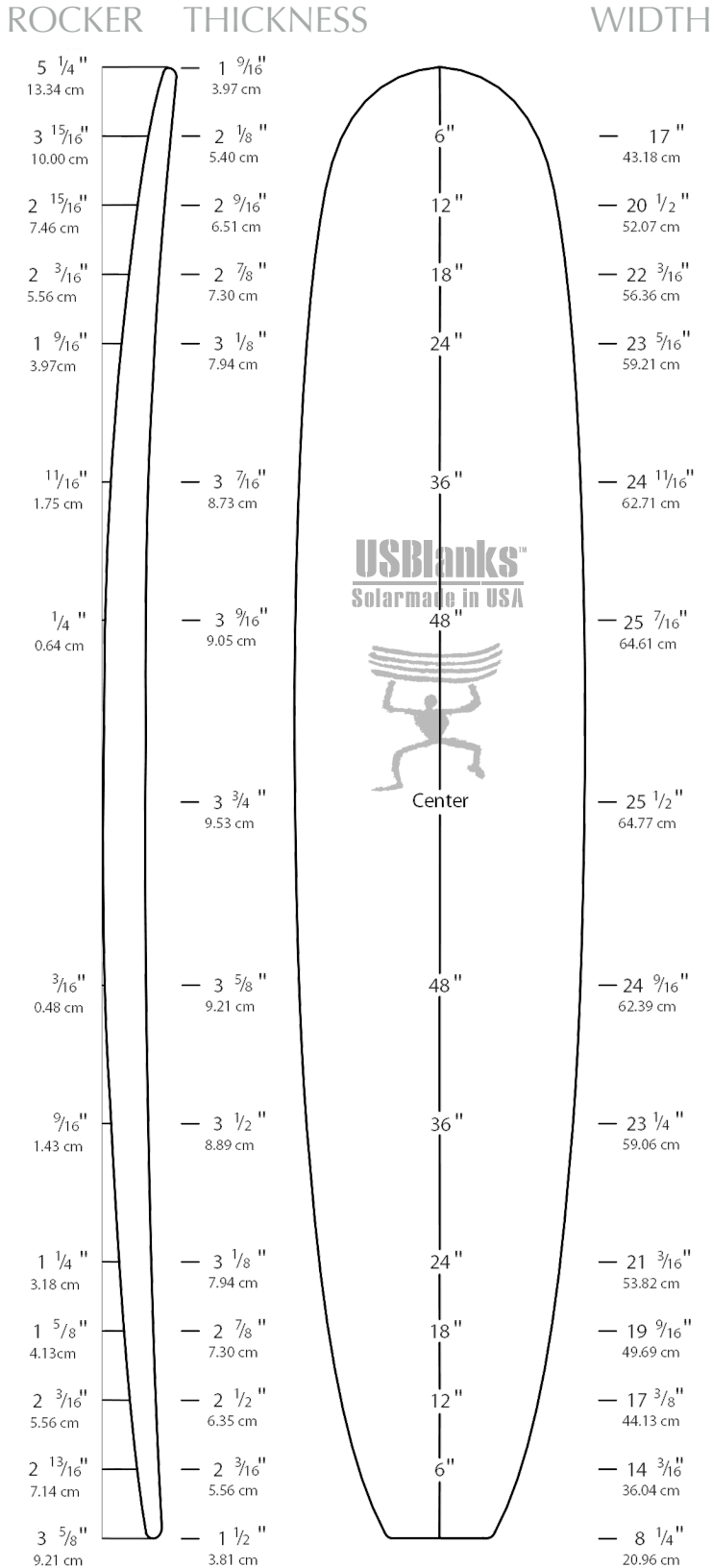
Tip-to-Tip Deck Length: 10'7 5/16" (323.37 cm)

Max Width: 25 1/2" (64.77 cm)

Max Thickness: 3 3/4" (9.53 cm)

Displacement: 4.77 ft³ (135.1 L)

Natural Rocker: 5 1/4"N 3 5/8"T



"Intended for classic Longboard designs under the 10'6" range. The Natural Rocker is in the middle of the demand curve. But remember, the further you change the Natural Rocker, the wider the wood stringer it needs to hold it from springback."

RENNY YATER



SUP

10'10" T

Designed by

JEFF TIMPONE

Introduced August 2008

Overall Bottom Length: 10'9 3/8" (328.61 cm)

Tip-to-Tip Deck Length: 10'9" (327.66 cm)

Max Width: 32 1/6" (81.44 cm)

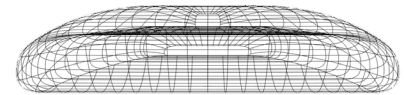
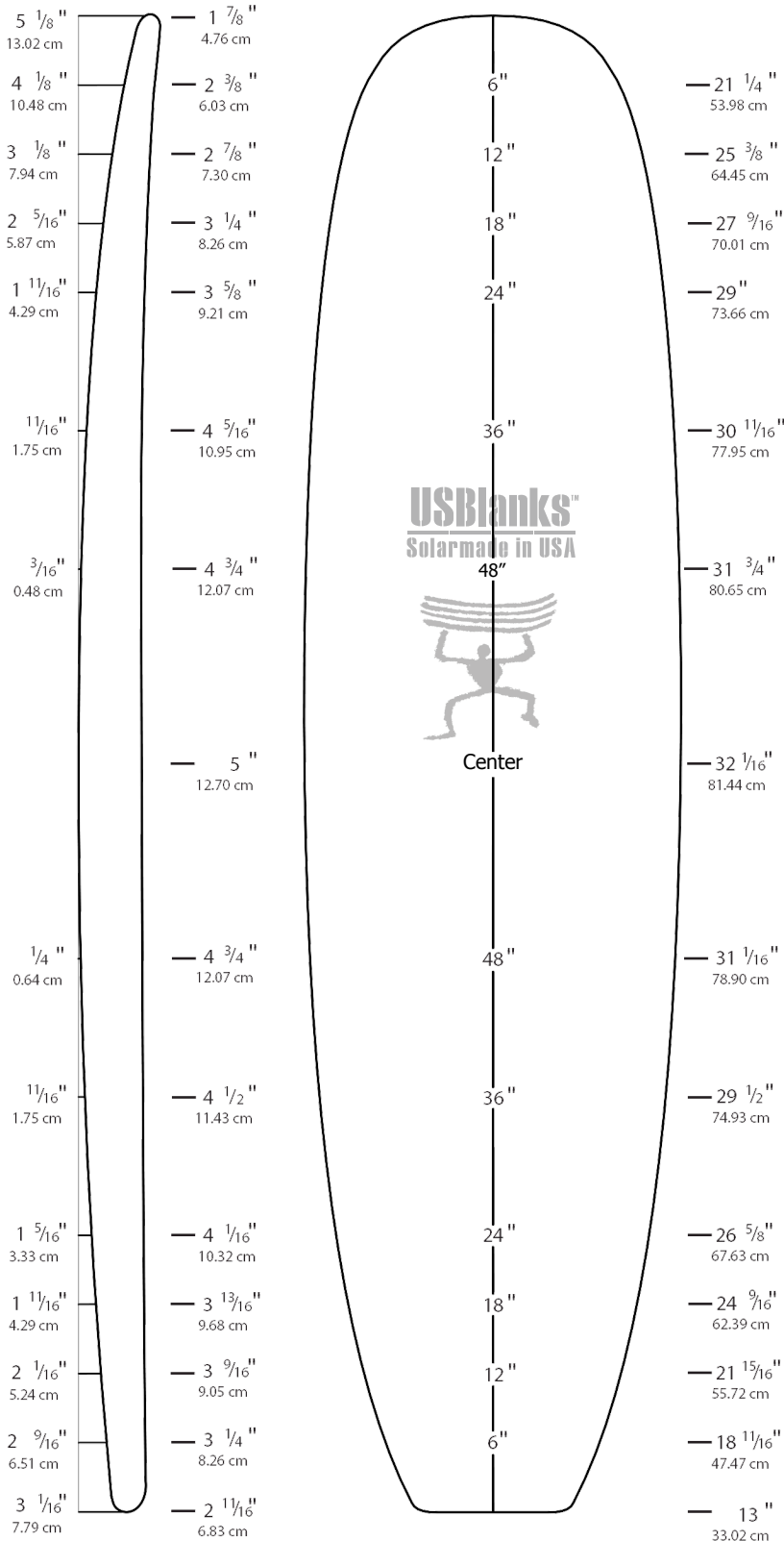
Max Thickness: 5" (12.70 cm)

Displacement: 8.31 ft³ (235.3 L)

Natural Rocker: 5 1/8" N 3 1/16" T

ROCKER THICKNESS

WIDTH



"I tried to make this Stand Up blank as versatile as possible. It has plenty of width and thickness to do just about anything an SUP design might require. The rocker should also allow shapers a wide range of options."

JEFF TIMPONE



LONGBOARD

11'3"D

Designed by

DALE VELZY &
GEORGE DOWNING

Introduced January 1990

Overall Bottom Length: 11'2 1/2" (341.63 cm)

Tip-to-Tip Deck Length: 11'2" (340.36 cm)

Max Width: 26 7/8" (68.26 cm)

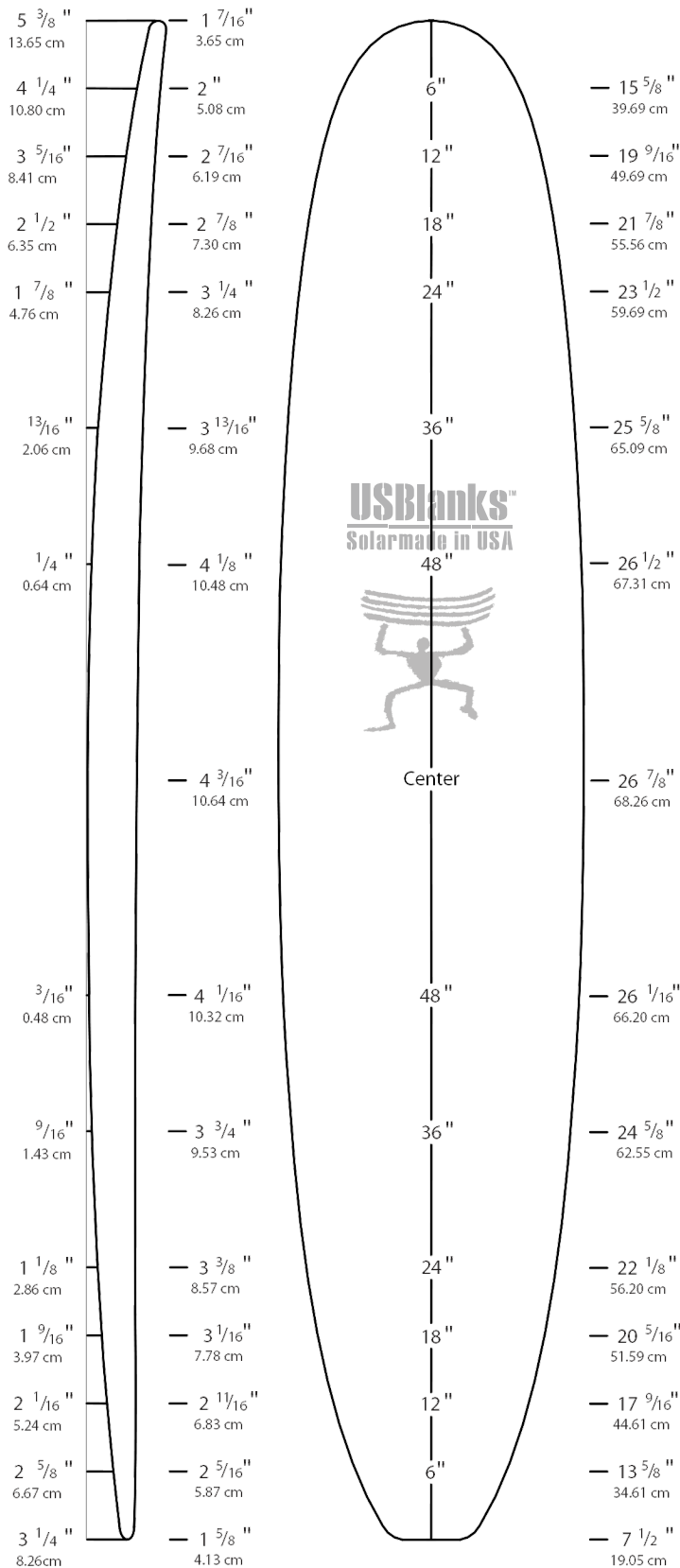
Max Thickness: 4 7/32" (10.72 cm)

Displacement: 5.74 ft³ (162.7 L)

Natural Rocker: 5 3/8"N 3 1/4"T

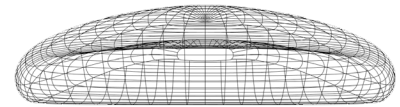
ROCKER THICKNESS

WIDTH



USBlanks.com

USBlanks.com/catalog/sups/1010T/



“Shaper’s Delight’ will yield an excellently proportioned 10’6”. It’ll easily flood persons up to 250lbs. An excellent rental or family board. Nose rocker can be adjusted up to 6 1/2” or lowered 4 1/2”. Tail rocker can be adjusted up to 1” or down 1/2”. Perfect San Onofre board or for those crowded days at your favorite point break and noseriding. May be used for Guns with rocker adjustment and width removed from center prior to gluing. Suggested minimum stringer thickness 3/16”.”

GEORGE DOWNING



GUN

11'8" BG

Designed by

**PAT RAWSON &
ERIC ARAKAWA**

Introduced January 2014

Overall Bottom Length: 11'9 1/4" (358.78 cm)

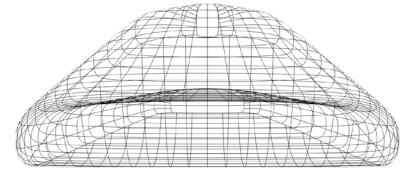
Tip-to-Tip Deck Length: 11'8 5/16" (356.39 cm)

Max Width: 26 3/8" (66.92 cm)

Max Thickness: 4 3/4" (12.07 cm)

Displacement: 6.70 ft³ (189.7 L)

Natural Rocker: 8 3/8"N 3 9/16"T



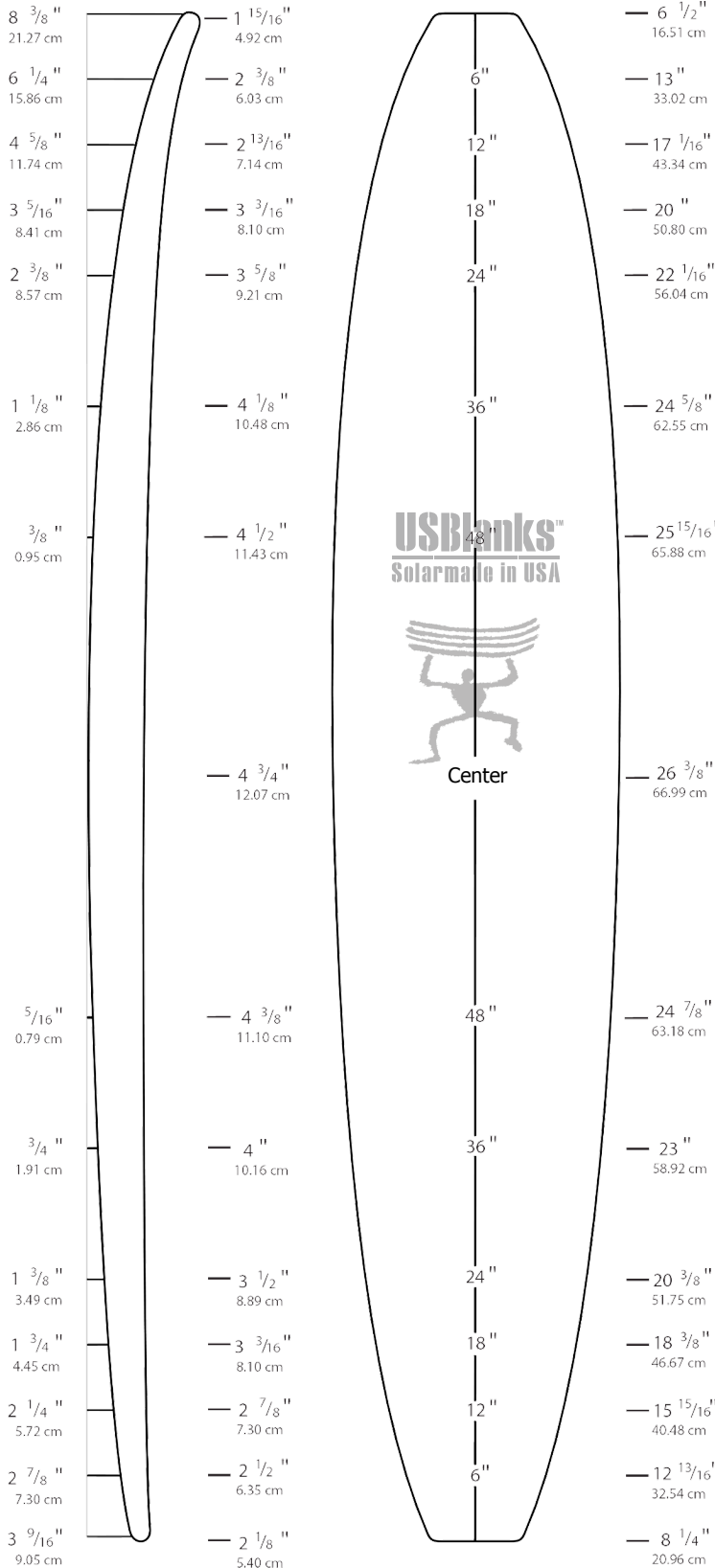
"The big brother to the 10'8"BG. The plan was to build a combo 'Big Guy'/ Gun blank, ala 'BG', that could be offset-cut narrower for performance Guns, but have a built-in wider stock width suitable for many different options. The bottom and deck contours are fairly flat in the stringer area to enable this. The rocker is universal and the Natural Rocker should offer many design opportunities due to ample thickness in the nose and tail areas."

PAT RAWSON

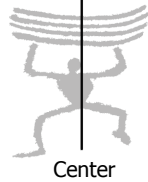


ROCKER THICKNESS

WIDTH



USBlanks™
Solarmade in USA



Our proprietary bead and revolutionary molding and production techniques have allowed us to develop a surfboard specific EPS foam. Our *Superfused* EPS technology allows us to achieve superior bead fusion, consistency and quality. Combined with our progressive mold designs, we have taken EPS epoxy board building to a whole new level.

Unlike most other EPS manufacturers, our blanks are shape molded under extreme pressure. This allows for superior penetration and bead fusion during the molding process that cannot be achieved in block molding. The tight fusion means the foam is considerably more air tight and water tight than any of its predecessors thus eliminating the need for taping or spackling before machining, nor does it need spackling/seal-coating prior to glassing. As a result, *Superfused EPS* laminates lighter and stronger as it absorbs less resin while maintaining a superior mechanical bond.

Due to the incredible strength and memory characteristics, shapers have experienced “spring back” when applying forced rocker adjustments to *Superfused EPS*. By not applying any post induced surface tensions we have eliminated these known “spring back” problems. We accomplish this by starting with an excellent rocker along with increased volume in the nose and tail areas allowing the shaper to accommodate proprietary custom rocker configurations without having to make physical adjustments during the glue up process.

Another benefit of *Superfused EPS* is the reduction in waste (no off cuts because the blanks are molded).

All sizes are offered in both 1.5 pcf and 2.0 pcf densities. Combined with our variable thickness capabilities, US Blanks SUPERFUSED EPS has quickly become the most user friendly, versatile, industry leading EPS on the market, and has set a new standard world wide.

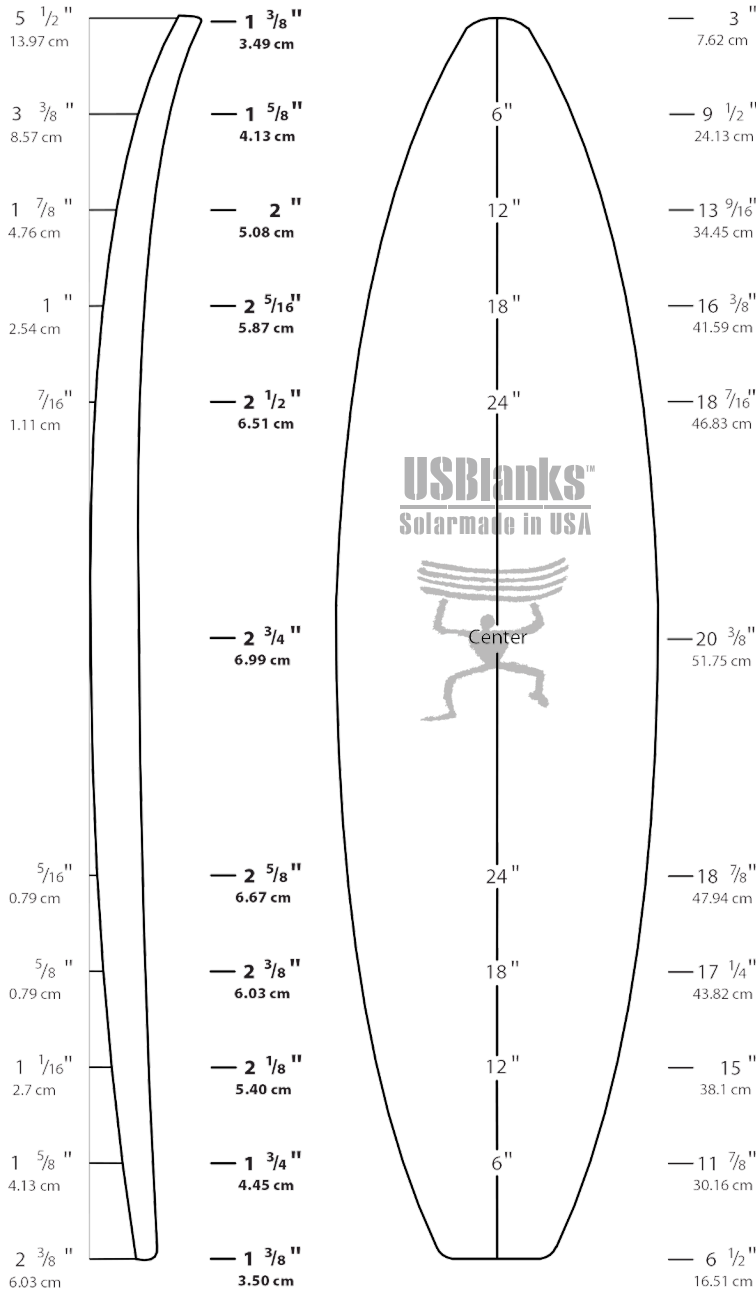
SUPERFUSED

6'5" EPS

Designed by
ERIC ARAKAWA

Introduced October 2007

ROCKER THICKNESS WIDTH



Overall Bottom Length: 6'5 13/16" (197.64 cm)

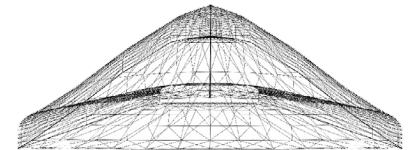
Tip-to-Tip Deck Length: 6'4 13/16" (195.10 cm)

Max Width: 20 3/8" (51.75 cm)

Max Thickness: 2 3/4" (6.99 cm)

Available Densities: 1.5 pcf & 2.0 pcf

Natural Rocker: 5 1/2"N 2 1/16"T



"This blank is designed for high performance Shortboards up to 20 1/4" in width. At 2 3/4" thick it remains versatile and will accept subtle rocker adjustments from center."

ERIC ARAKAWA

SUPERFUSED

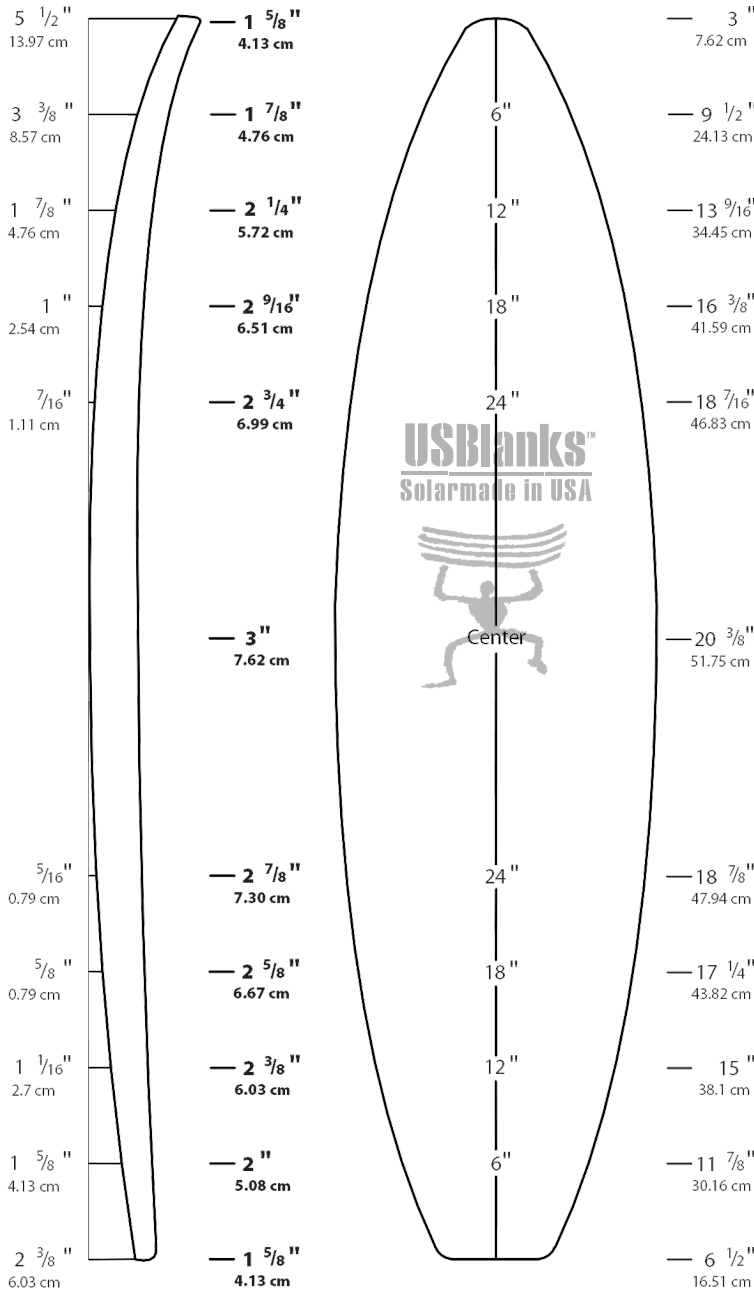
6'5" X EPS

Designed by
ERIC ARAKAWA

Introduced October 2007

ROCKER THICKNESS

WIDTH



Overall Bottom Length: 6'5 13/16" (197.64 cm)

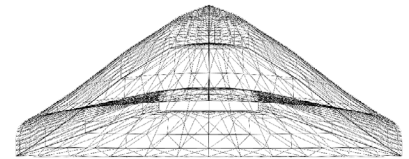
Tip-to-Tip Deck Length: 6'4 13/16" (195.10 cm)

Max Width: 20 3/8" (51.75 cm)

Max Thickness: 3" (7.62 cm)

Available Densities: 1.5 pcf & 2.0 pcf

Natural Rocker: 5 1/2"N 2 1/16"T



"At 3" max thickness, this blank is identical to the previous version with 1/4" additional thickness along the entire length. This blank is designed for high performance Shortboards up to 20 1/4" in width. At 2 3/4" thick it remains versatile and will accept subtle rocker adjustments from center."

ERIC ARAKAWA

SUPERFUSED

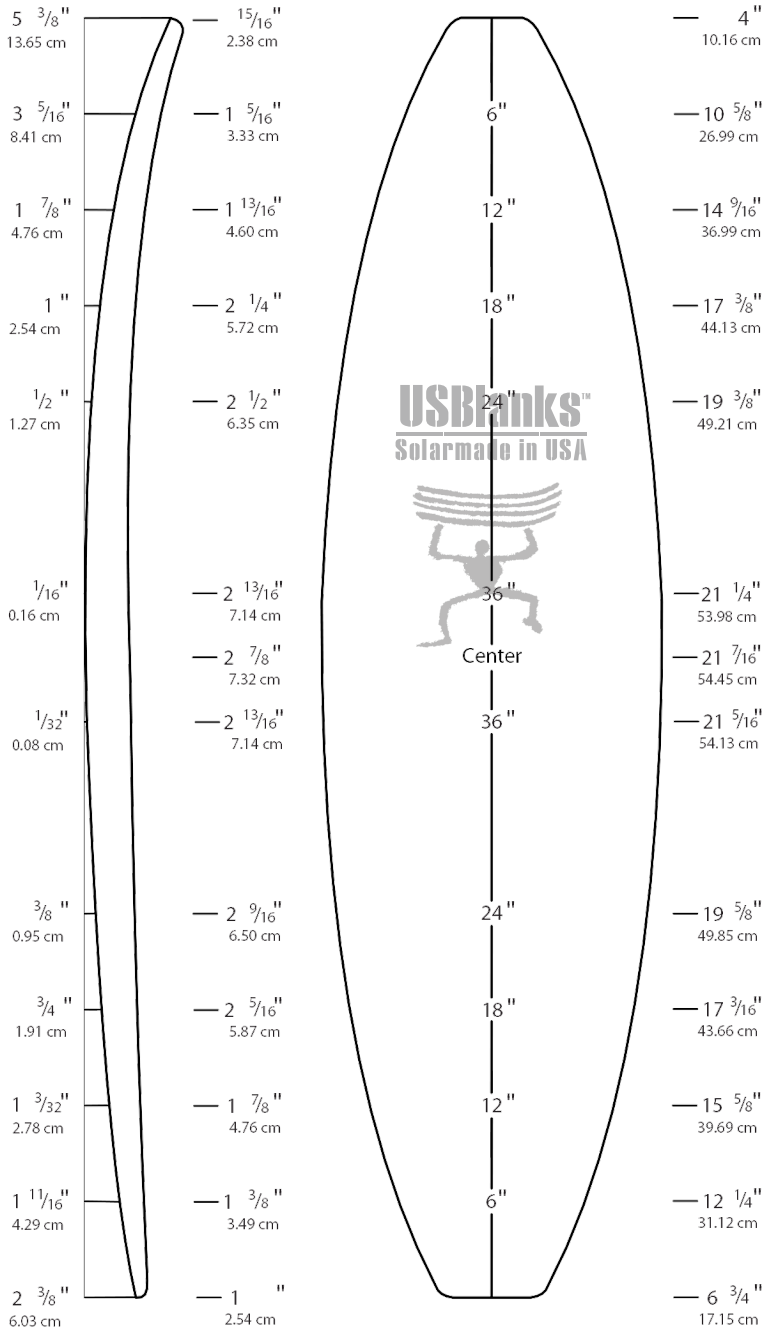
6'8" EPS

Designed by
ERIC ARAKAWA

Introduced February 2008

ROCKER THICKNESS

WIDTH



Overall Bottom Length: 6'9" (205.74 cm)

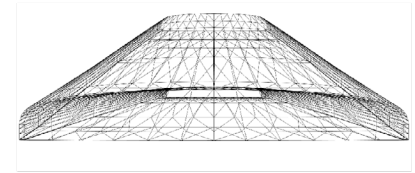
Tip-to-Tip Deck Length: 6'8" (203.20 cm)

Max Width: 21 7/16" (54.45 cm)

Max Thickness: 2 7/8" (7.30 cm)

Available Densities: 1.5 pcf & 2.0 pcf

Natural Rocker: 5 3/8"N 2 3/8"T



"Designed for versatility to accommodate a wide range of board styles from Fish to Big Guy Shortboards. The manufacturing process ensures uniform density and fusion throughout, allowing the shaper to use the maximum width of the blank if necessary. A close tolerance version to yield quick shape and generate less waste."

ERIC ARAKAWA

SUPERFUSED

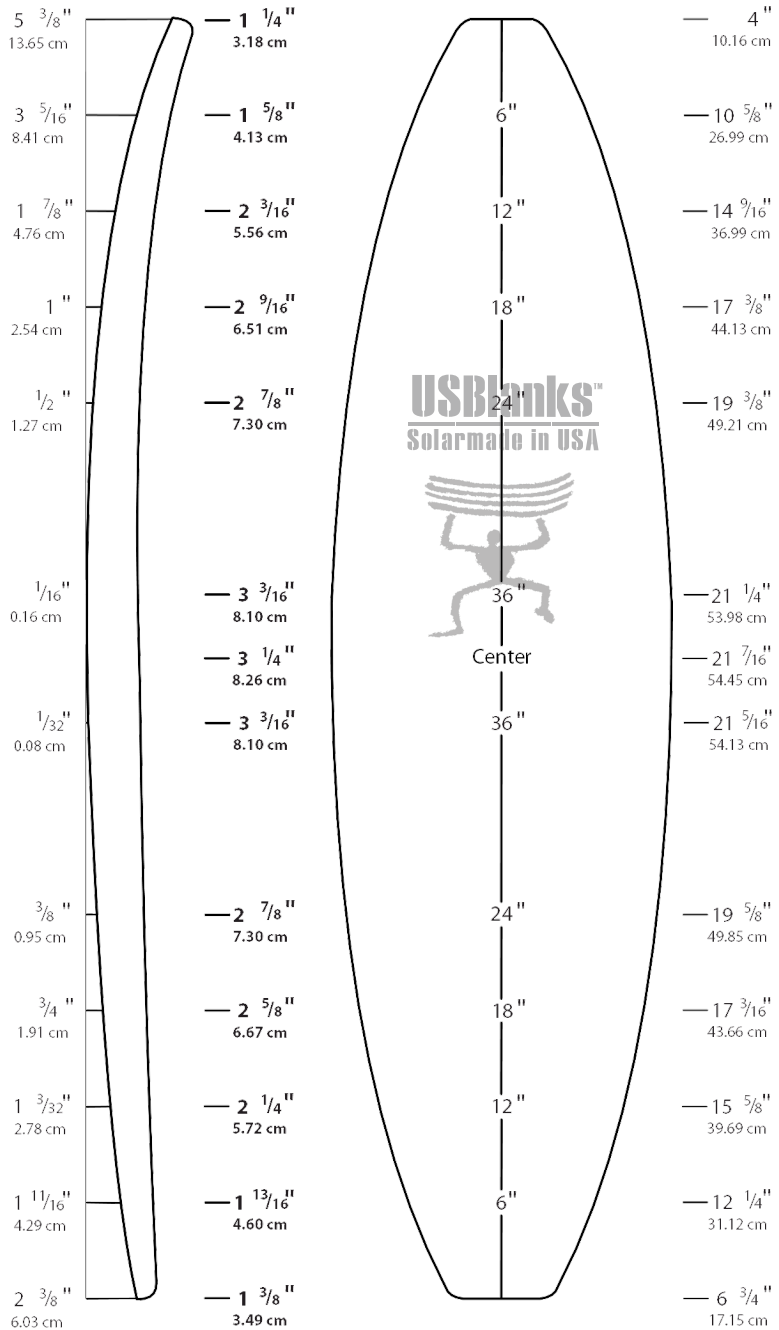
6'8" X EPS

Designed by
ERIC ARAKAWA

Introduced April 2007

ROCKER THICKNESS

WIDTH



Overall Bottom Length: 6'9" (205.74 cm)

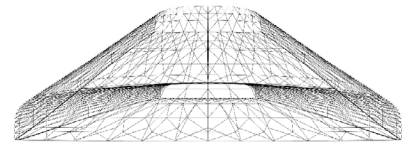
Tip-to-Tip Deck Length: 6'8" (203.20 cm)

Max Width: 21 7/16" (54.45 cm)

Max Thickness: 3 1/4" (8.57 cm)

Available Densities: 1.5 pcf & 2.0 pcf

Natural Rocker: 5 3/8"N 2 3/8"T



"The X is the max volume version of the 6'8". Designed for versatility to accommodate a wide range of board styles from Fish to Big Guy Shortboards. The manufacturing process ensures uniform density and fusion throughout, allowing the shaper to use the maximum width of the blank if necessary. A close tolerance version to yield quick shape and generate less waste."

ERIC ARAKAWA

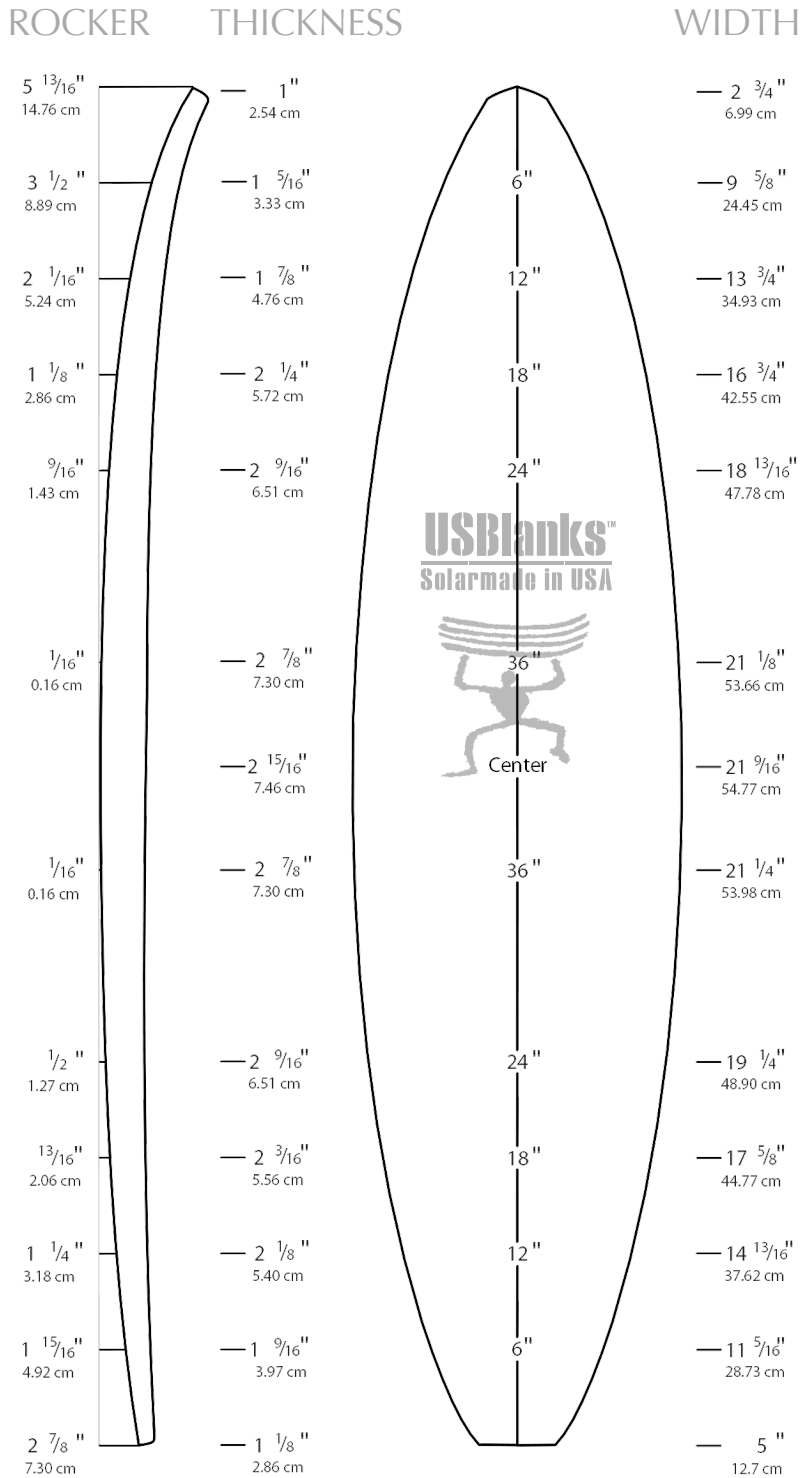
SUPERFUSED

7'2" EPS

Designed by

ERIC ARAKAWA

Introduced October 2008



Overall Bottom Length: 7'2" (220.35 cm)

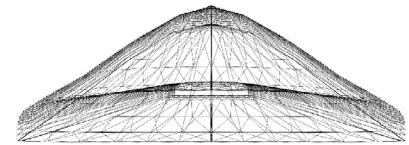
Tip-to-Tip Deck Length: 7'1 3/4" (217.81 cm)

Max Width: 21 9/16" (54.77 cm)

Max Thickness: 2 15/16" (7.46 cm)

Available Densities: 1.5 pcf & 2.0 pcf

Natural Rocker: 5 13/16" N 2 7/8" T



"Designed for high performance semi-Guns. The added volume in the nose and tail will accommodate a wide variety of rockers."

ERIC ARAKAWA

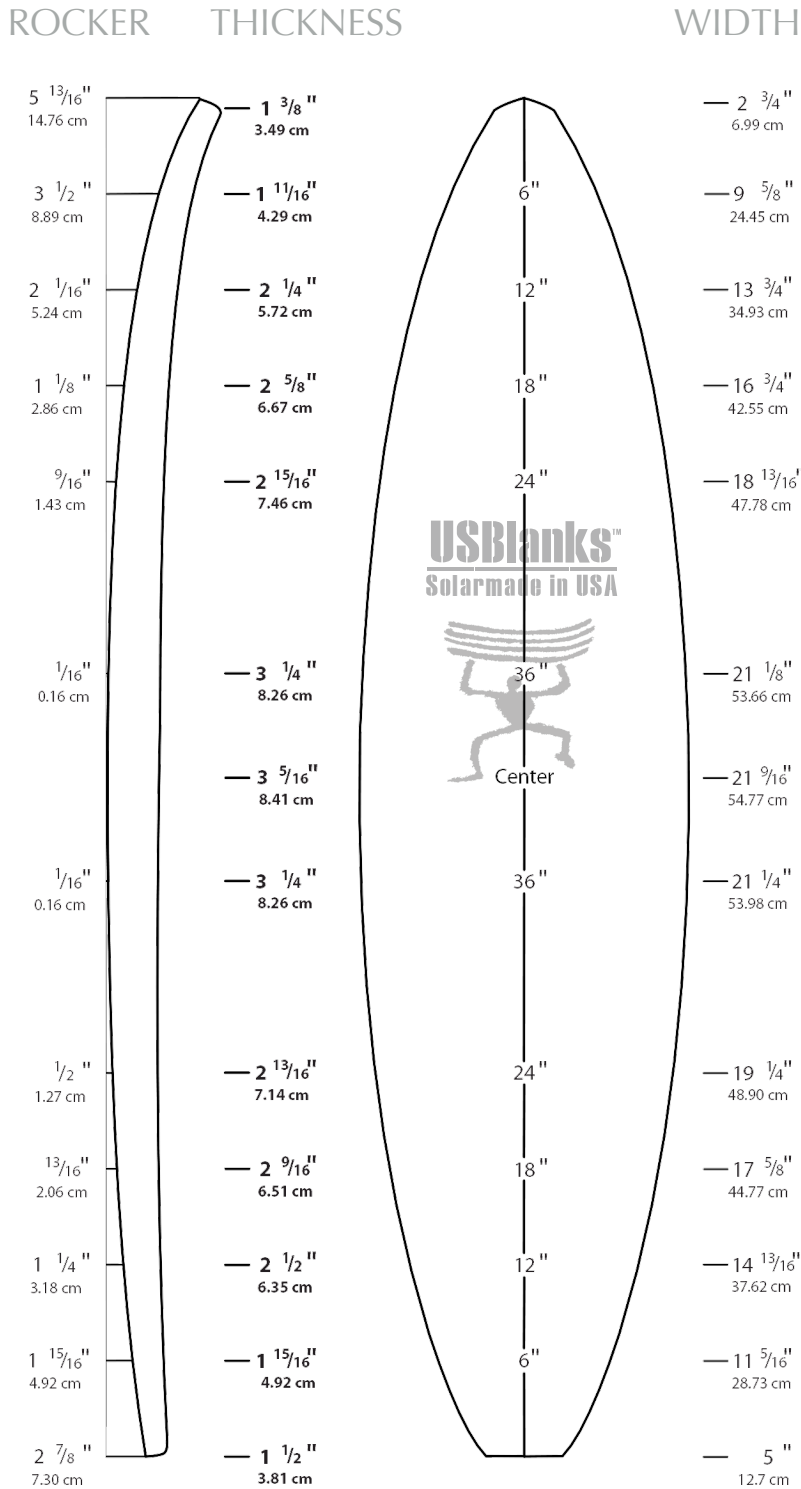
SUPERFUSED

7'2" X EPS

Designed by

ERIC ARAKAWA

Introduced October 2008



Overall Bottom Length: 7'2" (220.35 cm)

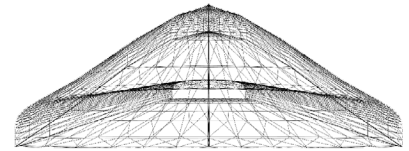
Tip-to-Tip Deck Length: 7'1 3/4" (217.81 cm)

Max Width: 21 9/16" (54.77 cm)

Max Thickness: 3 5/16" (8.41 cm)

Available Densities: 1.5 pcf & 2.0 pcf

Natural Rocker: 5 13/16" N 2 7/8" T



"The X version is the max volume version of the 7'2". Designed for high performance semi-Guns. The added volume in the nose and tail will accommodate a wide variety of rockers."

ERIC ARAKAWA

SUPERFUSED

7'8" EPS

Designed by

ERIC ARAKAWA

Introduced March 2009

Overall Bottom Length: 7'9" (236.22 cm)

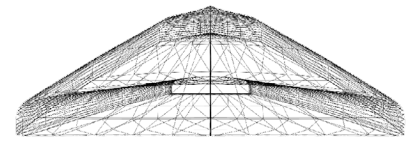
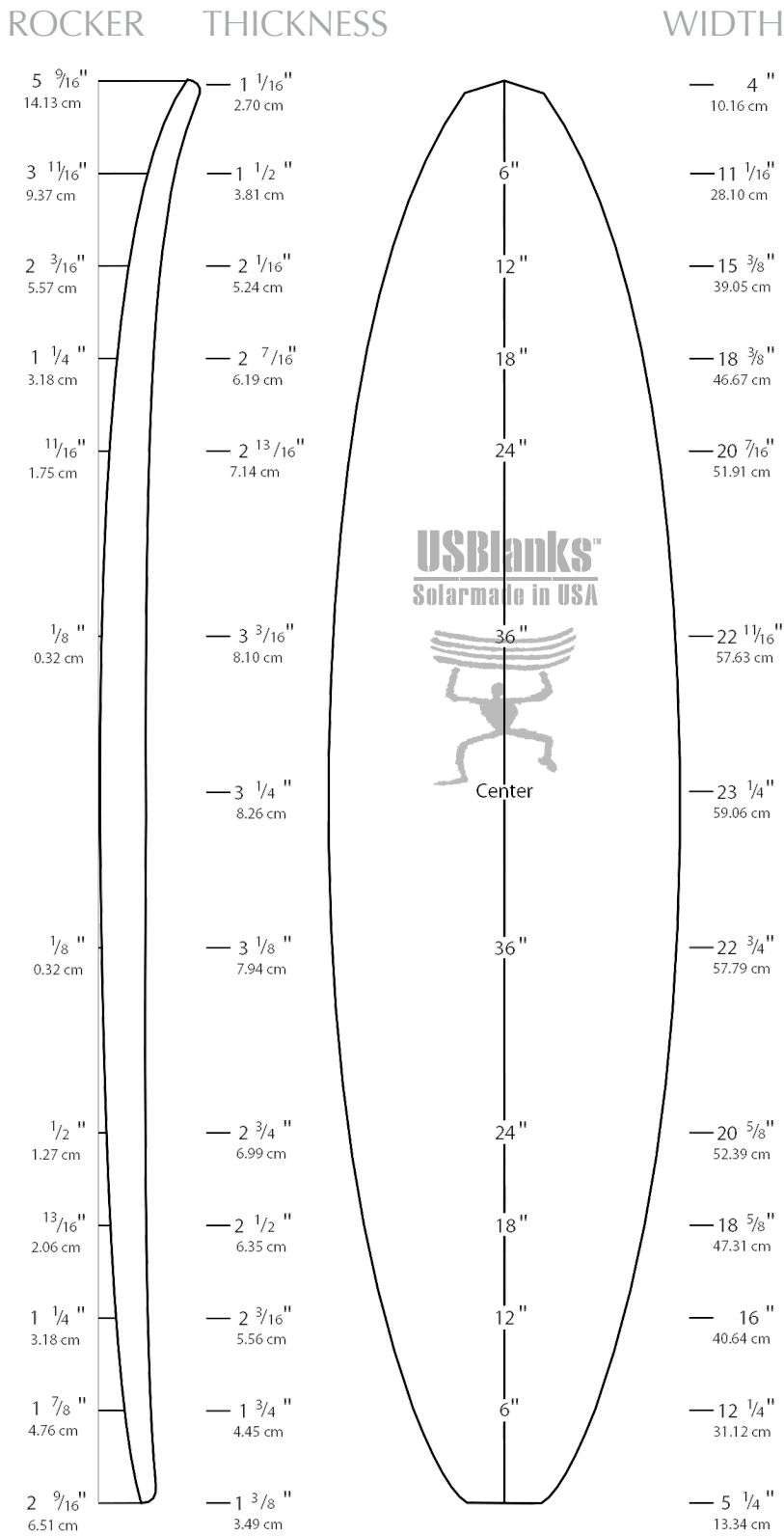
Tip-to-Tip Deck Length: 7'7 7/8" (233.36 cm)

Max Width: 23 1/4" (59.06 cm)

Max Thickness: 3 1/4" (8.26 cm)

Available Densities: 1.5 pcf & 2.0 pcf

Natural Rocker: 5 9/16" N 2 9/16" T



"This is a multipurpose blank which can be used for Funboards, Big Guy boards and Guns. The extra volume will accommodate a wide variety of rocker configurations."

ERIC ARAKAWA

SUPERFUSED

7'8" X EPS

Designed by

ERIC ARAKAWA

Introduced June 2007

Overall Bottom Length: 7'9" (236.22 cm)

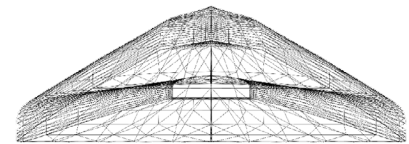
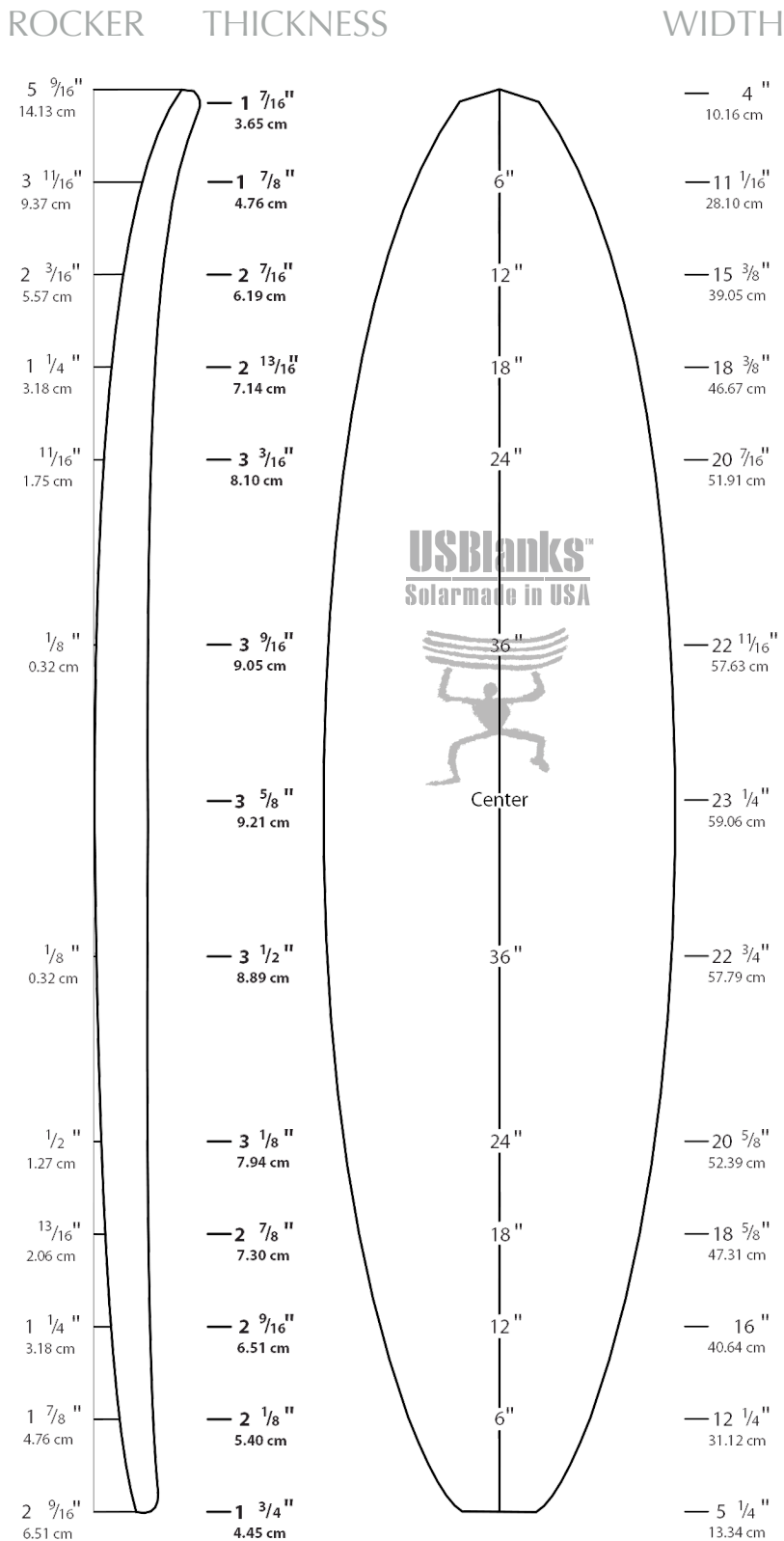
Tip-to-Tip Deck Length: 7'7 7/8" (233.36 cm)

Max Width: 23 1/4" (59.06 cm)

Max Thickness: 3 5/8" (9.21 cm)

Available Densities: 1.5 pcf & 2.0 pcf

Natural Rocker: 5 9/16" N 2 9/16" T



"The X is the max volume version of the 7'8". This is a multipurpose blank which can be used for Funboards, Big Guy boards and Guns. The extra volume will accommodate a wide variety of rocker configurations."

ERIC ARAKAWA

SUPERFUSED

8'8" EPS

Designed by

RENNY YATER

Introduced March 2009

Overall Bottom Length: 8'7 7/8" (263.84 cm)

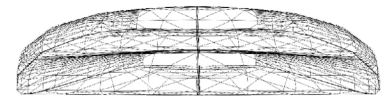
Tip-to-Tip Deck Length: 8'7" (261.62 cm)

Max Width: 25 1/4" (64.14 cm)

Max Thickness: 3 3/16" (8.10 cm)

Available Densities: 1.5 pcf & 2.0 pcf

Natural Rocker: 4 1/4" N 2 1/8" T

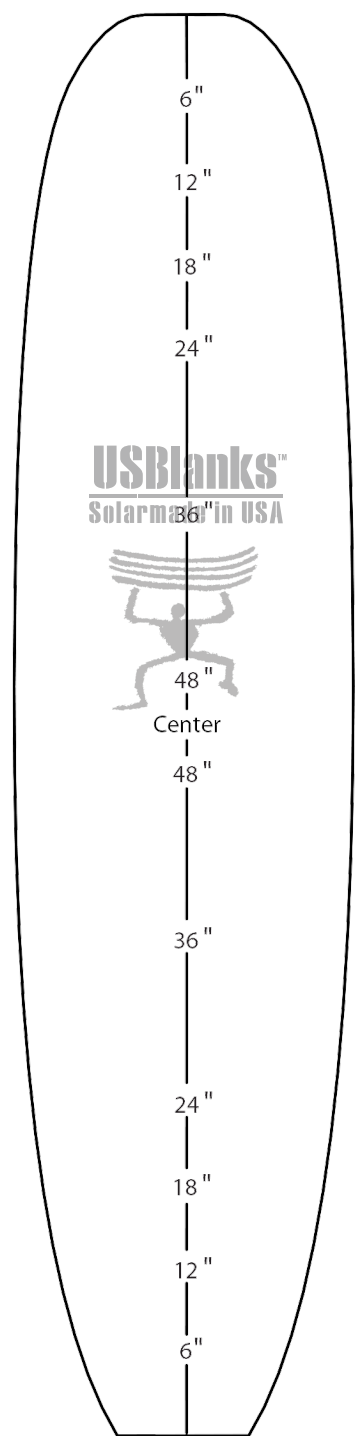


"This blank is a scaled down version of the 9'8". The goal was to design an EPS mold plug that would accommodate any Longboard shape program in the 7'10" to 8'6" range for machine cutting purposes. After analyzing our rocker template database we came up with a 'middle of the road' rocker profile and added thickness to the nose and tail to allow for straight to extreme profiles. The plan shape and width have also been maximized. This blank is offered in 2 thicknesses to accommodate both machine and hand shaping."

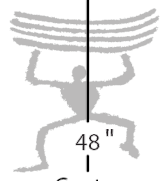
RENNY YATER

ROCKER THICKNESS

4 1/4"	10.80 cm	1 1/4"	3.18 cm
3 3/16"	8.10 cm	1 3/4"	4.45 cm
2 3/16"	5.56 cm	2 1/4"	5.72 cm
1 1/2"	3.81 cm	2 5/8"	6.67 cm
15/16"	2.38 cm	2 7/8"	7.30 cm
1/4"	0.64 cm	3 1/8"	7.94 cm
		3 3/16"	
		3 3/16"	8.10 cm
		3 3/16"	
1/8"	0.32 cm	3 1/8"	7.94 cm
1/2"	1.27 cm	2 7/8"	7.30 cm
13/16"	2.06 cm	2 5/8"	6.67 cm
1 5/16"	3.33 cm	2 5/16"	5.87 cm
1 15/16"	4.92 cm	1 7/8"	4.76 cm
2 1/8"	5.40 cm	1 3/8"	3.43 cm



USBlanksSM
Solarmark in USA



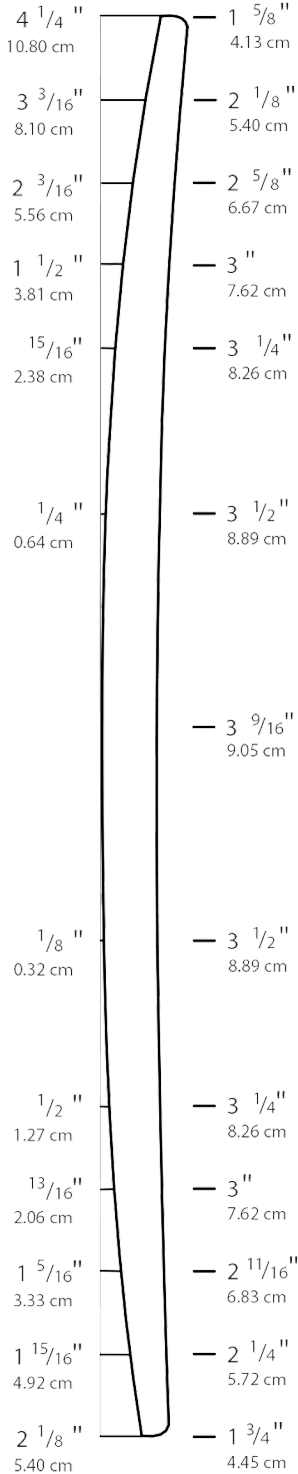
WIDTH

6 3/4"	17.15 cm
17 13/16"	45.24 cm
21 1/16"	53.50 cm
22 3/4"	57.79 cm
23 3/4"	60.33 cm
25"	63.50 cm
25 1/4"	64.14 cm
25 3/16"	63.98 cm
25 1/8"	63.82 cm
24 5/16"	61.75 cm
22 3/8"	56.83 cm
20 3/4"	52.71 cm
18 1/2"	46.99 cm
15 1/4"	38.74 cm
9 1/2"	24.13 cm

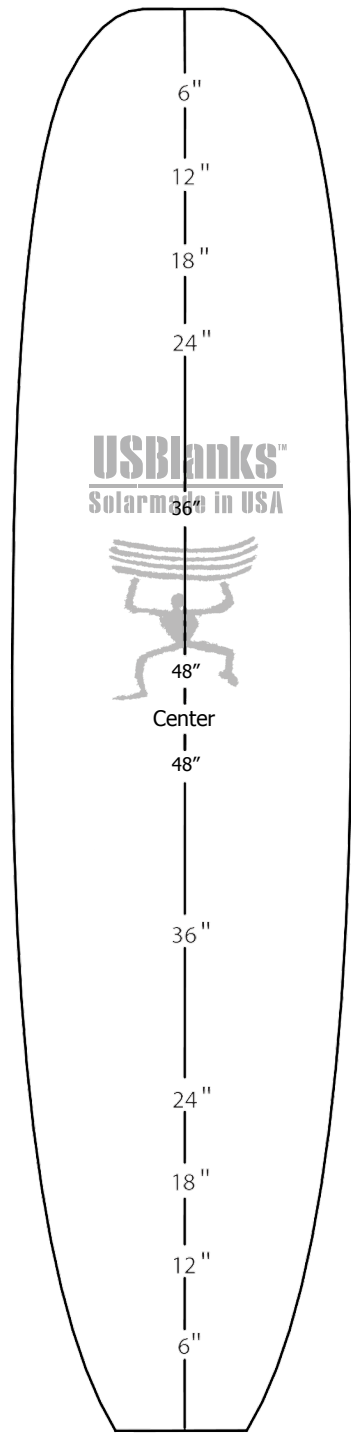
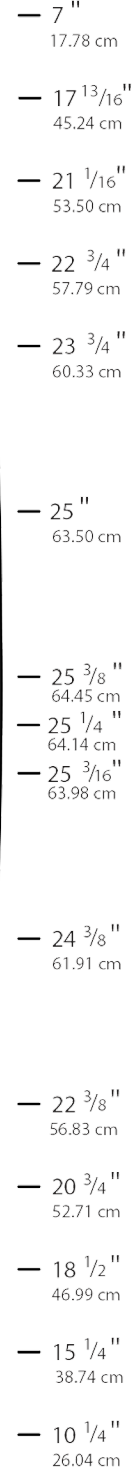
SUPERFUSED

8'8" X EPS

ROCKER THICKNESS



WIDTH



Designed by

RENNY YATER

Introduced December 2014

Overall Bottom Length: 8'7 7/8" (263.84 cm)

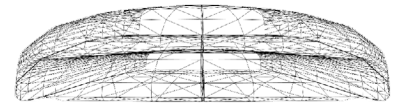
Tip-to-Tip Deck Length: 8'7" (261.62 cm)

Max Width: 25 1/4" (64.14 cm)

Max Thickness: 3 9/16" (9.05 cm)

Available Densities: 1.5 pcf & 2.0 pcf

Natural Rocker: 4 1/4"N 2 1/8"T



"The max volume version of the 8'8". This blank is a scaled down version of the 9'8". The goal was to design an EPS mold plug that would accommodate any Longboard shape program in the 7'10" to 8'6" range for machine cutting purposes. After analyzing our rocker template database we came up with a 'middle of the road' rocker profile and added thickness to the nose and tail to allow for straight to extreme profiles. The plan shape and width have also been maximized. This blank is offered in 2 thicknesses to accommodate both machine and hand shaping."

RENNY YATER

SUPERFUSED

9'8" EPS

Designed by

RENNY YATER

Introduced December 2007

Overall Bottom Length: 9'8" (274.32 cm)

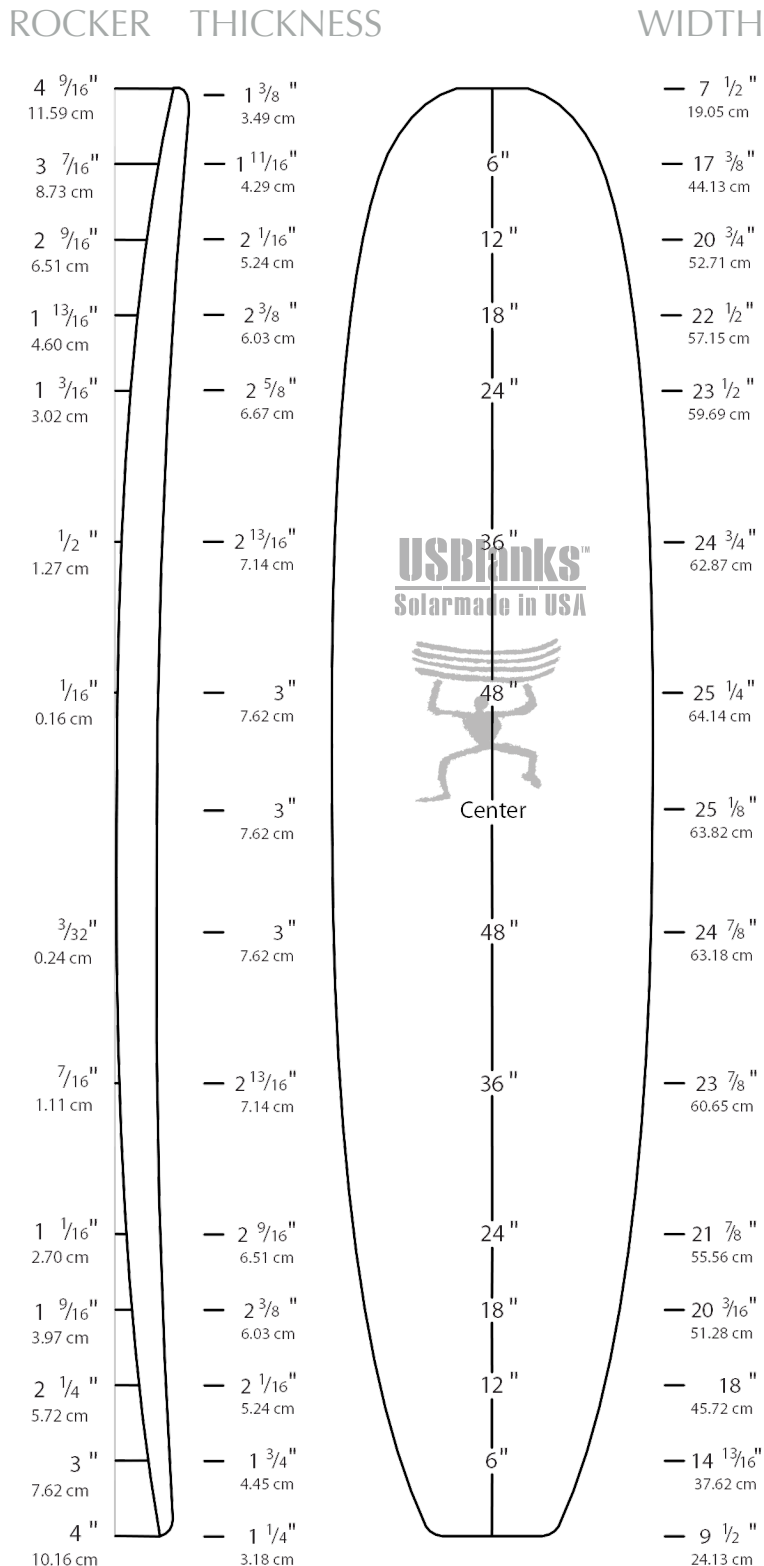
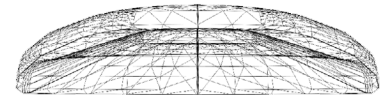
Tip-to-Tip Deck Length: 9'7 1/4" (274.96 cm)

Max Width: 25 1/4" (64.14 cm)

Max Thickness: 3" (7.62 cm)

Available Densities: 1.5 pcf & 2.0 pcf

Natural Rocker: 4 9/16" N 4"T



"This blank is the result of input by several industry board builders. The goal was to design an EPS mold plug that would accommodate any Longboard shape program in the 8'10" to 9'6" range for machine cutting purposes. After analyzing our rocker template database we came up with a 'middle of the road' rocker profile and added thickness to the nose and tail to allow for straight to extreme profiles.

The plan shape and width have also been maximized. This blank is offered in 3 thicknesses to accommodate both machine and hand shaping."

RENNY YATER

SUPERFUSED

9'8" X EPS

Designed by

RENNY YATER

Introduced December 2007

Overall Bottom Length: 9'8" (274.32 cm)

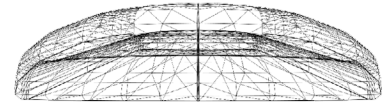
Tip-to-Tip Deck Length: 9'7 1/4" (274.96 cm)

Max Width: 25 1/4" (64.14 cm)

Max Thickness: 3 3/8" (8.57 cm)

Available Densities: 1.5 pcf & 2.0 pcf

Natural Rocker: 4 9/16" N 4"T

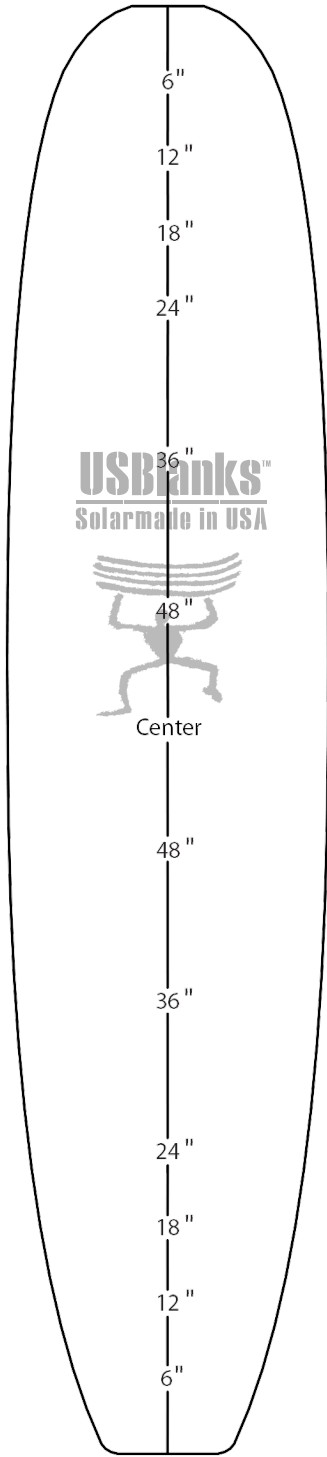


ROCKER THICKNESS

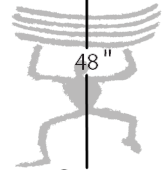
4 9/16"	11.59 cm	1 3/4"	4.46 cm
3 7/16"	8.73 cm	2 1/16"	5.24 cm
2 9/16"	6.51 cm	2 7/16"	6.19 cm
1 13/16"	4.60 cm	2 3/4"	6.99 cm
1 3/16"	3.02 cm	3"	7.62 cm
1/2"	1.27 cm	3 3/16"	8.10 cm
1/16"	0.16 cm	3 3/8"	8.57 cm
		3 3/8"	8.57 cm
3/32"	0.24 cm	3 3/8"	8.57 cm
7/16"	1.11 cm	3 3/16"	8.10 cm
1 1/16"	2.70 cm	3 3/16"	7.46 cm
1 9/16"	3.97 cm	2 3/4"	6.99 cm
2 1/4"	5.72 cm	2 7/16"	6.19 cm
3"	7.62 cm	2 1/8"	5.40 cm
4"	10.16 cm	1 5/8"	4.13 cm

WIDTH

7 1/2"	19.05 cm
17 3/8"	44.13 cm
20 3/4"	52.71 cm
22 1/2"	57.15 cm
23 1/2"	59.69 cm
24 3/4"	62.87 cm
25 1/4"	64.14 cm
25 1/8"	63.82 cm
24 7/8"	63.18 cm
23 7/8"	60.65 cm
21 7/8"	55.56 cm
20 3/16"	51.28 cm
18"	45.72 cm
14 13/16"	37.62 cm
9 1/2"	24.13 cm



USBlanks
Solar made in USA



"This blank is the result of input by several industry board builders. The goal was to design an EPS mold plug that would accommodate any Longboard shape program in the 8'10" to 9'6" range for machine cutting purposes. After analyzing our rocker template database we came up with a 'middle of the road' rocker profile and added thickness to the nose and tail to allow for straight to extreme profiles. The plan shape and width have also been maximized. This blank is offered in 3 thicknesses to accommodate both machine and hand shaping. This is the medium volume version."

RENNY YATER

SUPERFUSED 9'8" XXEPS

Designed by

RENNY YATER

Introduced December 2007

Overall Bottom Length: 9'8" (274.32 cm)

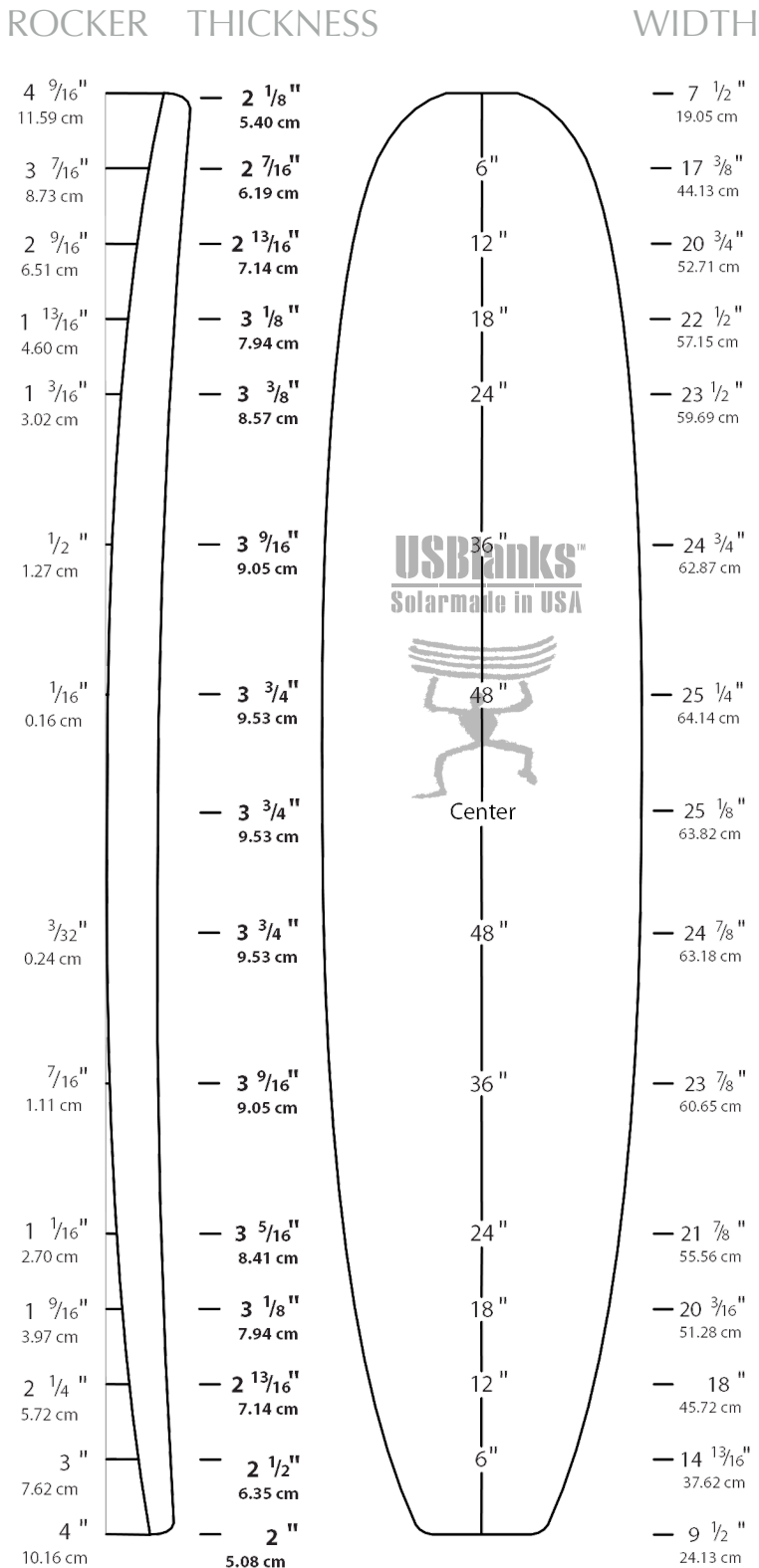
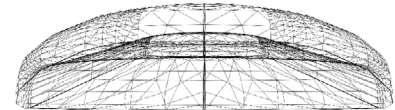
Tip-to-Tip Deck Length: 9'7 1/4" (274.96 cm)

Max Width: 25 1/4" (64.14 cm)

Max Thickness: 3 3/8" (8.57 cm)

Available Densities: 1.5 pcf & 2.0 pcf

Natural Rocker: 4 9/16" N 4"T



"This blank is the result of input by several industry board builders. The goal was to design an EPS mold plug that would accommodate any Longboard shape program in the 8'10" to 9'6" range for machine cutting purposes. After analyzing our rocker template database we came up with a 'middle of the road' rocker profile and added thickness to the nose and tail to allow for straight to extreme profiles. The plan shape and width have also been maximized. This blank is offered in 3 thicknesses to accommodate both machine and hand shaping. This is the medium volume version."

RENNY YATER

BLOCK-CUT EPS

Manufactured from *White Hot Surfboard Foam* billets and available in 1.5 pcf or 2.0 pcf density. Every PU blank in this catalog is also available as Block-Cut EPS. Custom cut blanks are also available. Below is a list of the blanks that we stock. Other blanks are available, subject to a single-cut fee and possible file fee.

BLANK	GENRE - DESIGNER	STANDARD STRINGER	LENGTH	WIDTH	NOSE ROCKER	TAIL ROCKER	CENTER THICKNESS	NOSE THICKNESS	TAIL THICKNESS
5'9"P	Shortboard - Patterson	Ply	68.90	19.74	4.78	2.00	2.45	0.85	0.95
5'10"RP	Fish - Pavel	Ply	70.80	24.85	4.70	2.00	2.90	1.19	1.24
6'0"P	Shortboard - Patterson	Ply	72.24	20.06	4.63	1.69	2.45	0.91	1.08
6'0"R	Shortboard - Rusty	Ply	71.76	21.10	4.37	2.06	3.00	1.19	1.23
6'2"A	Fish - Rawson	Ply	74.03	23.50	4.62	1.90	2.90	1.30	1.48
6'2"P	Shortboard - Patterson	Ply	73.74	20.60	4.30	2.10	2.50	0.97	1.14
6'4"MB	Shortboard - Biolos	Ply	76.12	21.40	4.94	2.00	3.13	1.20	1.53
6'5"A	Fish - Rawson	Ply	76.81	23.50	4.60	2.26	3.19	1.37	1.59
6'4"EA	Shortboard - Arakawa	Ply	75.30	20.60	5.50	2.10	2.75	0.97	1.34
6'4"EAX	Shortboard - Arakawa	Ply	75.30	20.60	5.50	2.10	3.00	1.22	1.59
6'5"R	Shortboard - Rusty	Ply	77.00	22.00	4.76	2.20	3.37	1.50	1.44
6'6"EA	Shortboard - Arakawa	Ply	77.31	21.25	5.31	2.19	2.93	1.09	1.31
6'8"RP	Shortboard - Pavel	Ply	80.74	25.10	5.00	2.16	3.00	1.26	1.49
6'9"R	Shortboard - Rusty	Ply	81.62	23.10	4.90	2.38	3.50	1.17	1.53
6'10"A	Fish - Rawson	Ply	81.42	24.00	5.01	1.88	3.50	1.54	1.61
7'3"A	Fish - Rawson	1/8" Bass	87.31	24.00	5.30	2.12	3.63	1.50	1.64
7'4"SP	Egg - Smith/Parrish	1/8" Bass	88.75	24.20	4.22	2.39	3.37	1.40	1.40
7'5"A	Shortboard - Rawson	1/8" Bass	87.96	22.06	6.13	2.19	3.00	1.00	1.60
7'6"EA	Funboard - Arakawa	1/8" Bass	89.44	22.90	5.50	2.34	3.18	1.07	1.44
7'8"EA	Gun - Arakawa	1/8" Bass	92.11	21.80	6.28	2.63	3.10	0.95	1.39
7'10"SP	Egg - Smith/Parrish	1/8" Bass	94.75	24.30	4.40	2.60	3.50	1.48	1.49
8'1"EA	Shortboard - Arakawa	1/8" Bass	96.05	24.07	6.26	2.99	3.40	1.00	1.35
8'2"A	Funboard - Rawson	1/8" Bass	97.50	25.00	6.68	2.56	4.12	1.40	1.78
8'4"SP	Egg - Smith/Parrish	1/8" Bass	99.81	24.00	5.03	2.90	3.42	1.26	1.51
8'4"SPX	Egg - Smith/Parrish	1/8" Bass	99.81	24.00	5.03	2.90	3.80	1.64	1.89
8'9"Y	Longboard - Yater	1/8" Bass	104.49	24.60	4.12	3.28	3.36	1.39	1.40

BLOCK-CUT EPS, cont'd

Manufactured from *White Hot Surfboard Foam* billets and available in 1.5 pcf or 2.0 pcf density. Every PU blank in this catalog is also available as Block-Cut EPS. Custom cut blanks are also available. Below is a list of the blanks that we stock. Other blanks are available, subject to a single-cut fee and possible file fee.

BLANK	GENRE - DESIGNER	STANDARD STRINGER	LENGTH	WIDTH	NOSE ROCKER	TAIL ROCKER	CENTER THICKNESS	NOSE THICKNESS	TAIL THICKNESS
8'9"YX	Longboard - Yater	1/8" Bass	104.49	24.60	4.12	3.28	3.74	1.77	1.78
9'3"Y	Longboard - Yater	1/8" Bass	110.57	24.50	4.24	3.30	3.40	1.52	1.65
9'4"B	Longboard - Jones	1/8" Bass	111.07	24.50	4.75	3.50	3.36	1.38	1.61
9'5"M	Longboard - Yerxa	1/8" Bass	111.74	24.40	5.02	3.84	3.28	1.46	1.51
9'8"Y	Longboard - Yater	1/8" Bass	115.70	24.50	4.50	3.60	3.63	1.66	1.63
9'9"A	Gun - Rawson	1/8" Bass	116.38	22.50	7.63	3.05	3.69	1.68	1.66
10'2"B	Longboard - Jones	1/8" Bass	121.56	25.10	4.67	3.50	3.52	1.43	1.37
8'6" SUP	SUP	1/8" Bass	102.00	32.00	4.70	3.70	4.38	2.00	1.27
9'6"A	SUP	1/8" Bass	114.00	32.00	5.14	3.66	4.93	2.46	1.80
10'0"A	SUP	1/8" Bass	120.00	32.00	5.55	4.31	4.88	2.36	1.42
10'4"A	SUP	1/8" Bass	124.00	32.00	4.56	3.75	4.75	2.18	1.97
10'4"B	SUP	1/8" Bass	124.00	32.00	6.25	4.38	4.81	2.41	1.81
11'2"A	SUP	1/8" Bass	134.00	32.00	5.25	4.19	5.00	2.00	1.98
11'2"B	SUP	1/8" Bass	134.00	32.00	6.75	4.75	5.06	2.58	1.90
12'1"	SUP	1/8" Bass	145.00	32.00	6.13	3.38	5.19	2.63	2.50
12'6"	SUP	1/8" Bass	150.00	32.00	6.31	3.50	5.50	2.86	2.75
4'8"AM	Foil		56.00	22.00	2.81	0.00	3.50	1.94	3.47
5'2"AM	Foil		62.00	22.00	3.12	0.00	3.50	1.94	3.47
6'2"AM	Foil		74.00	24.00	4.12	0.00	3.50	1.96	3.47
5'0"	Wakesurf		60.00	24.00	2.40	0.00	2.64	1.32	2.63
5'2"	Wakesurf		62.00	24.00	2.40	0.00	2.64	1.32	2.63
5'4"	Wakesurf		64.00	24.00	2.40	0.00	2.64	1.32	2.63
5'6"	Wakesurf		66.00	24.00	2.40	0.00	2.64	1.32	2.63

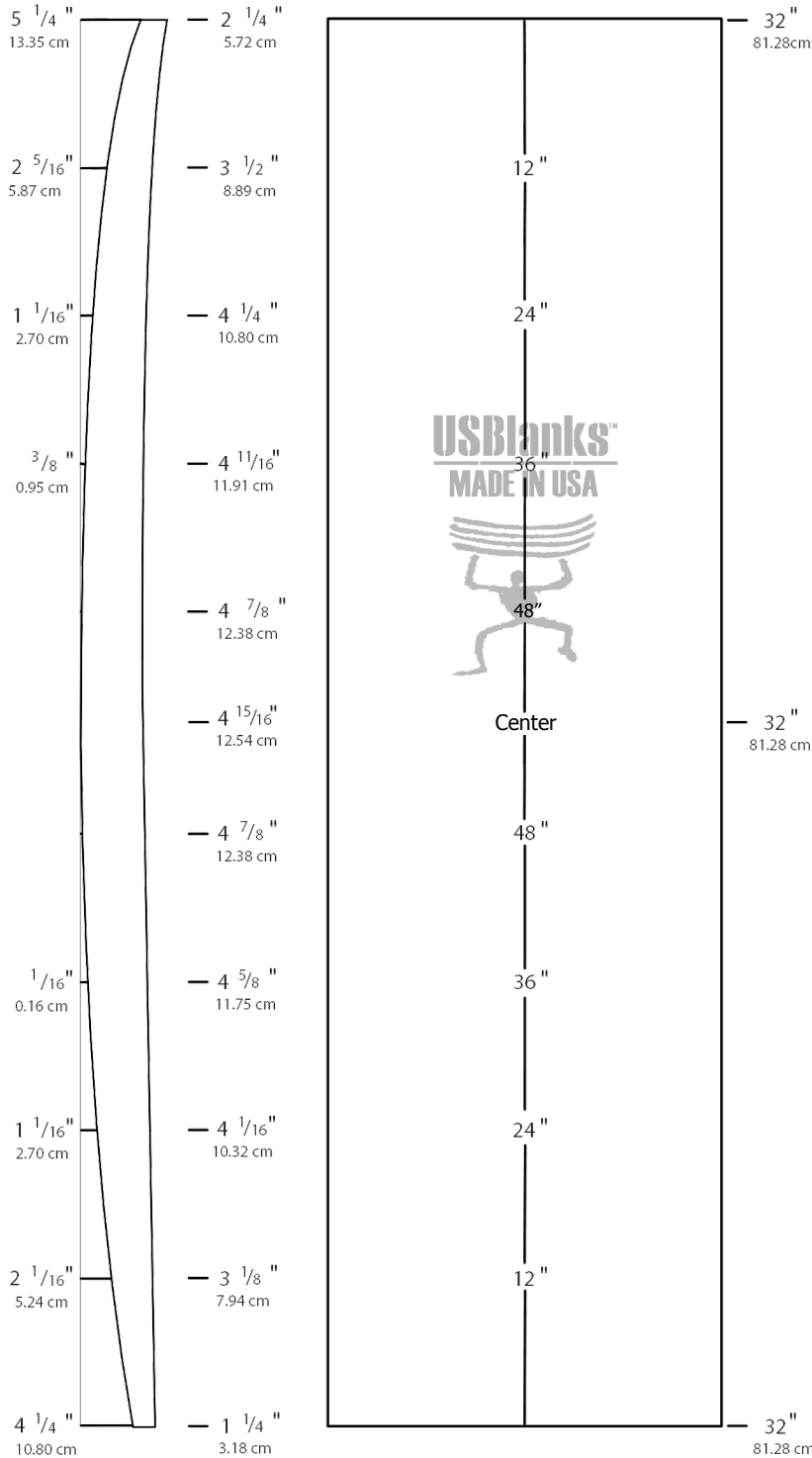
BLOCK-CUT

9'6" EPS A-SUP

ROCKER

THICKNESS

WIDTH



Introduced January 2011

Overall Bottom Length: 9'6 5/8" (291.15 cm)

Tip-to-Tip Deck Length: 9'6" (289.56 cm)

Max Width: 32" (81.28 cm)

Max Thickness: 4 15/16" (12.54 cm)

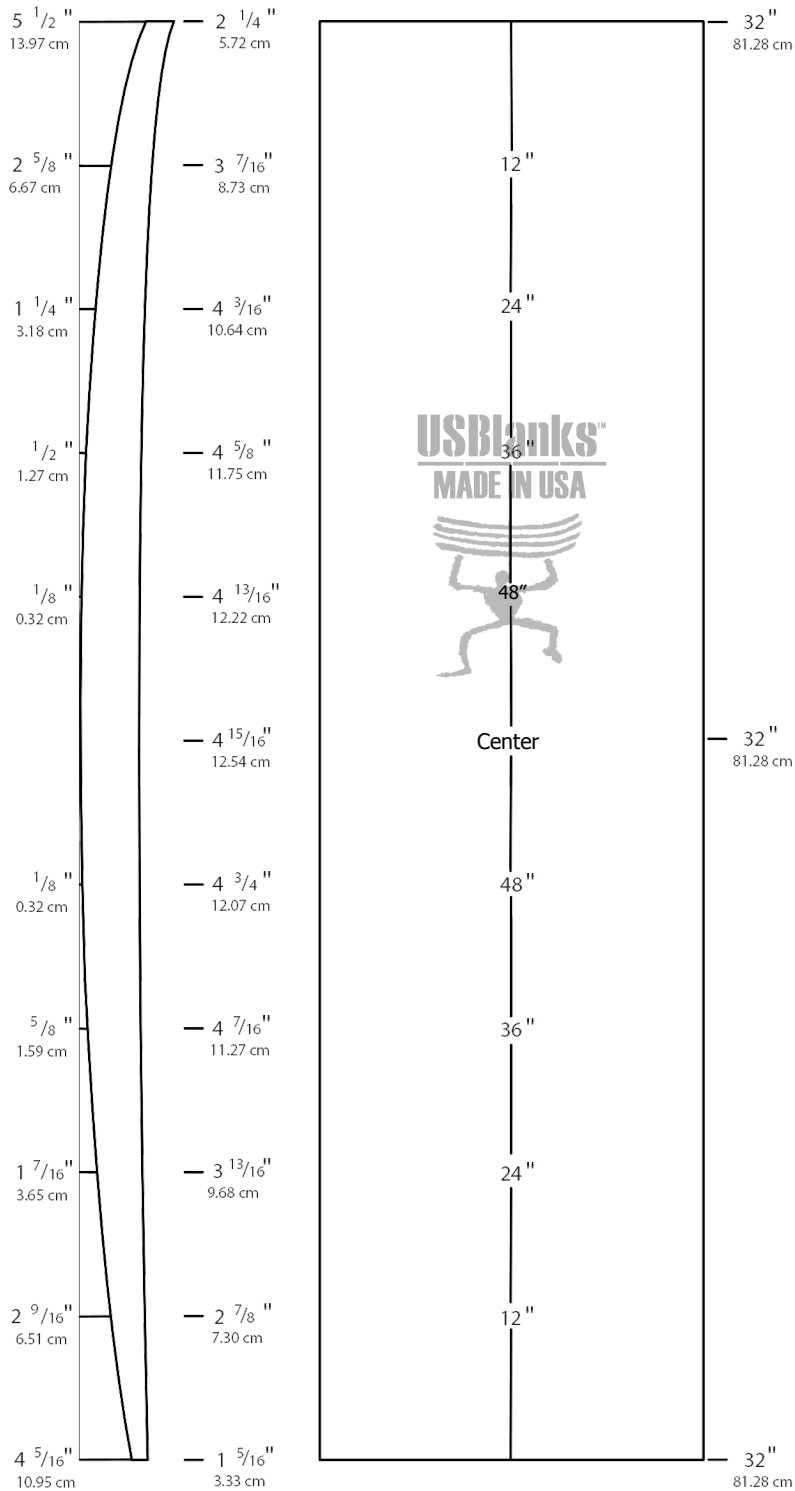
Available Densities: 1.5 pcf & 2.0 pcf

Natural Rocker: 5 1/4"N 4 1/4"T

BLOCK-CUT

10'0" EPS A-SUP

ROCKER THICKNESS WIDTH



Introduced January 2011

Overall Bottom Length: 10' 3/4" (306.71 cm)

Tip-to-Tip Deck Length: 10' (304.8 cm)

Max Width: 32" (81.28 cm)

Max Thickness: 4 15/16" (12.54 cm)

Available Densities: 1.5 pcf & 2.0 pcf

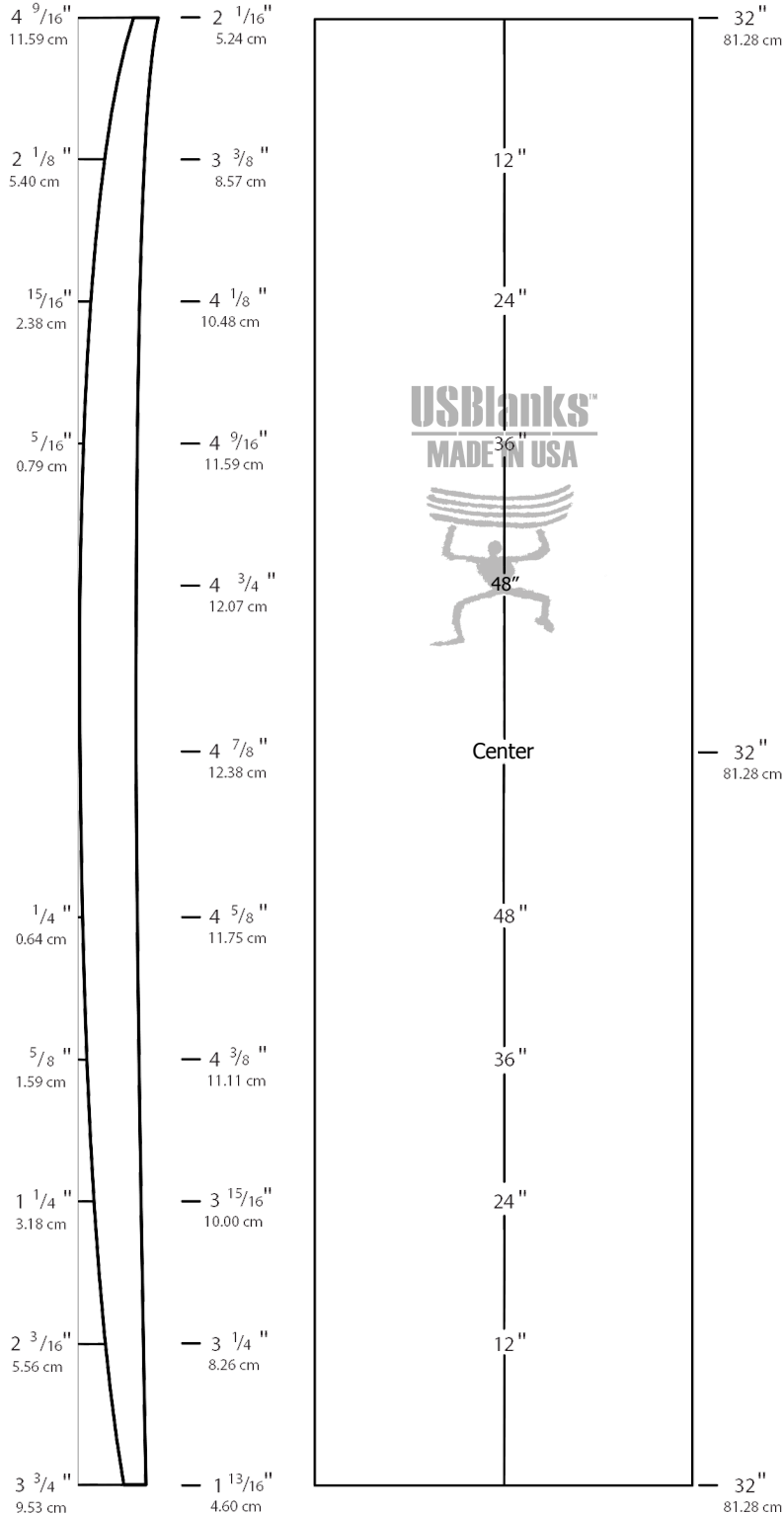
Natural Rocker: 5 1/2"N 4 5/16"T

BLOCK-CUT

10'4" EPS A-SUP

ROCKER THICKNESS

WIDTH



Introduced August 2009

Overall Bottom Length: 10' 5 1/4" (318.14 cm)

Tip-to-Tip Deck Length: 10' 4" (314.96 cm)

Max Width: 32" (81.28 cm)

Max Thickness: 4 7/8" (12.38 cm)

Available Densities: 1.5 pcf & 2.0 pcf

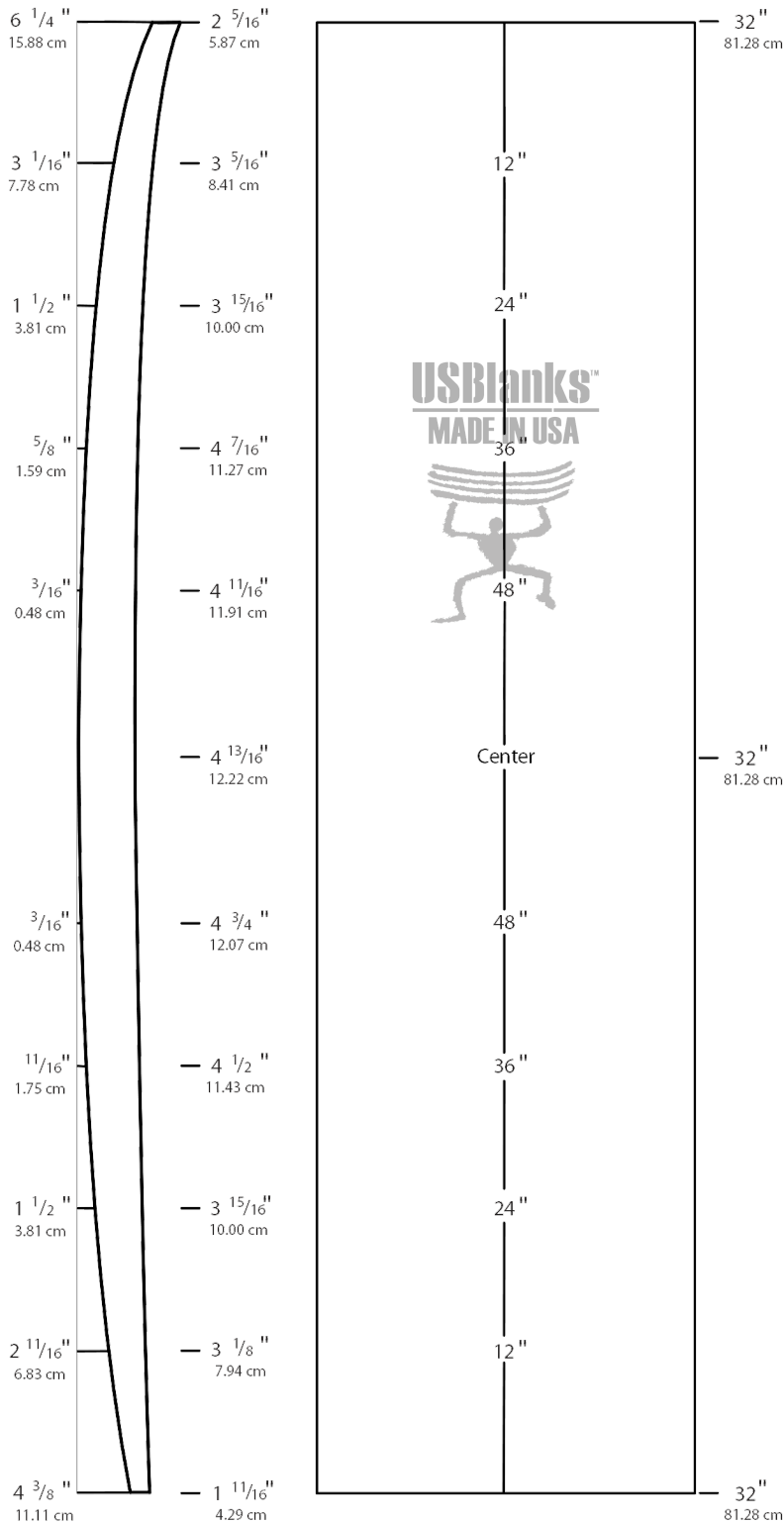
Natural Rocker: 4 9/16"N 3 3/4"T

BLOCK-CUT

10'4" EPS B-SUP

ROCKER THICKNESS

WIDTH



Introduced August 2009

Overall Bottom Length: 10' 5 1/4" (318.14 cm)

Tip-to-Tip Deck Length: 10' 4" (314.96 cm)

Max Width: 32" (81.28 cm)

Max Thickness: 4 13/16" (12.22 cm)

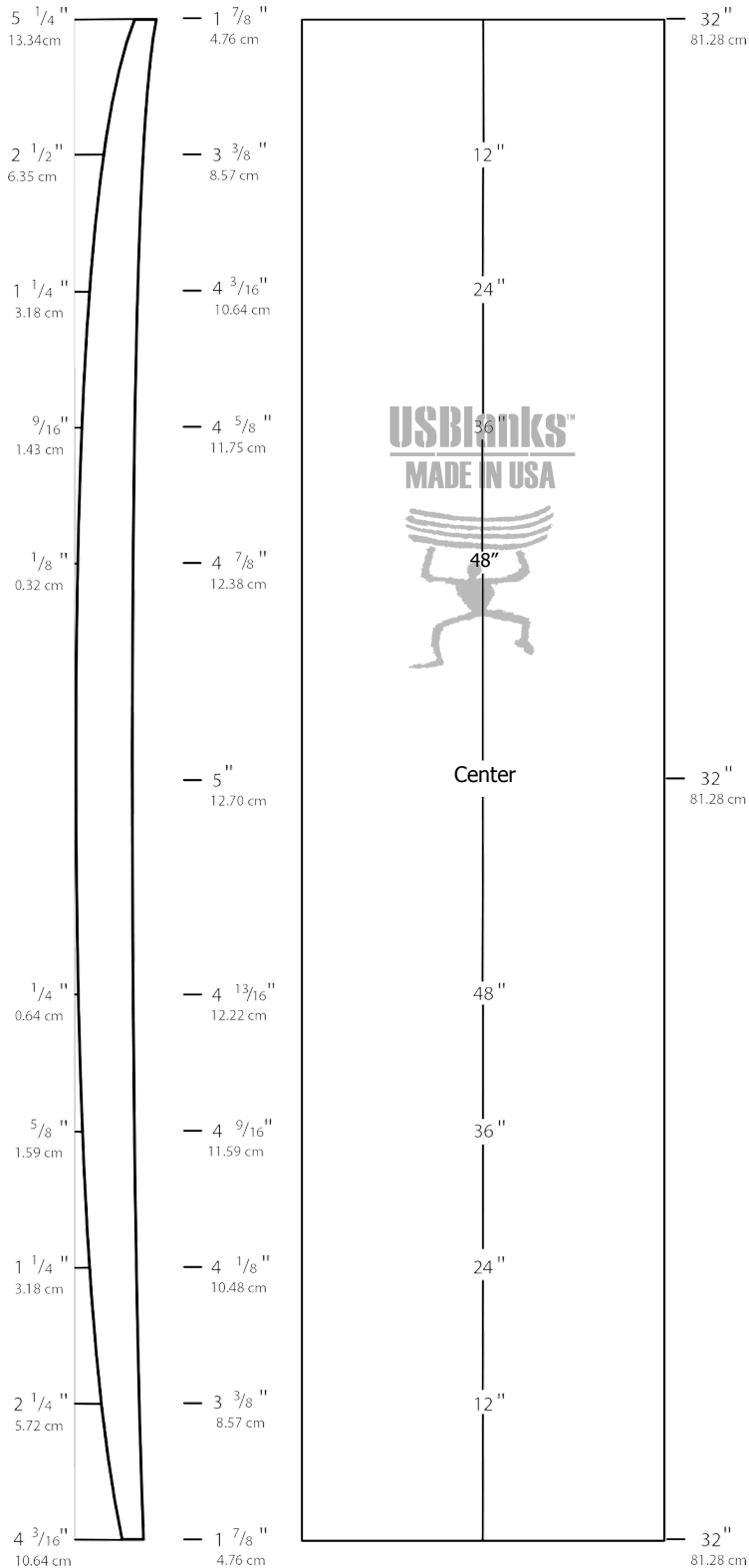
Available Densities: 1.5 pcf & 2.0 pcf

Natural Rocker: 6 1/4"N 4 3/8"T

BLOCK-CUT

11'2" EPS A-SUP

ROCKER THICKNESS WIDTH



Introduced August 2009

Overall Bottom Length: 11' 3 1/2" (344.17 cm)

Tip-to-Tip Deck Length: 11' 2" (340.36 cm)

Max Width: 32" (81.28 cm)

Max Thickness: 5" (12.7 cm)

Available Densities: 1.5 pcf & 2.0 pcf

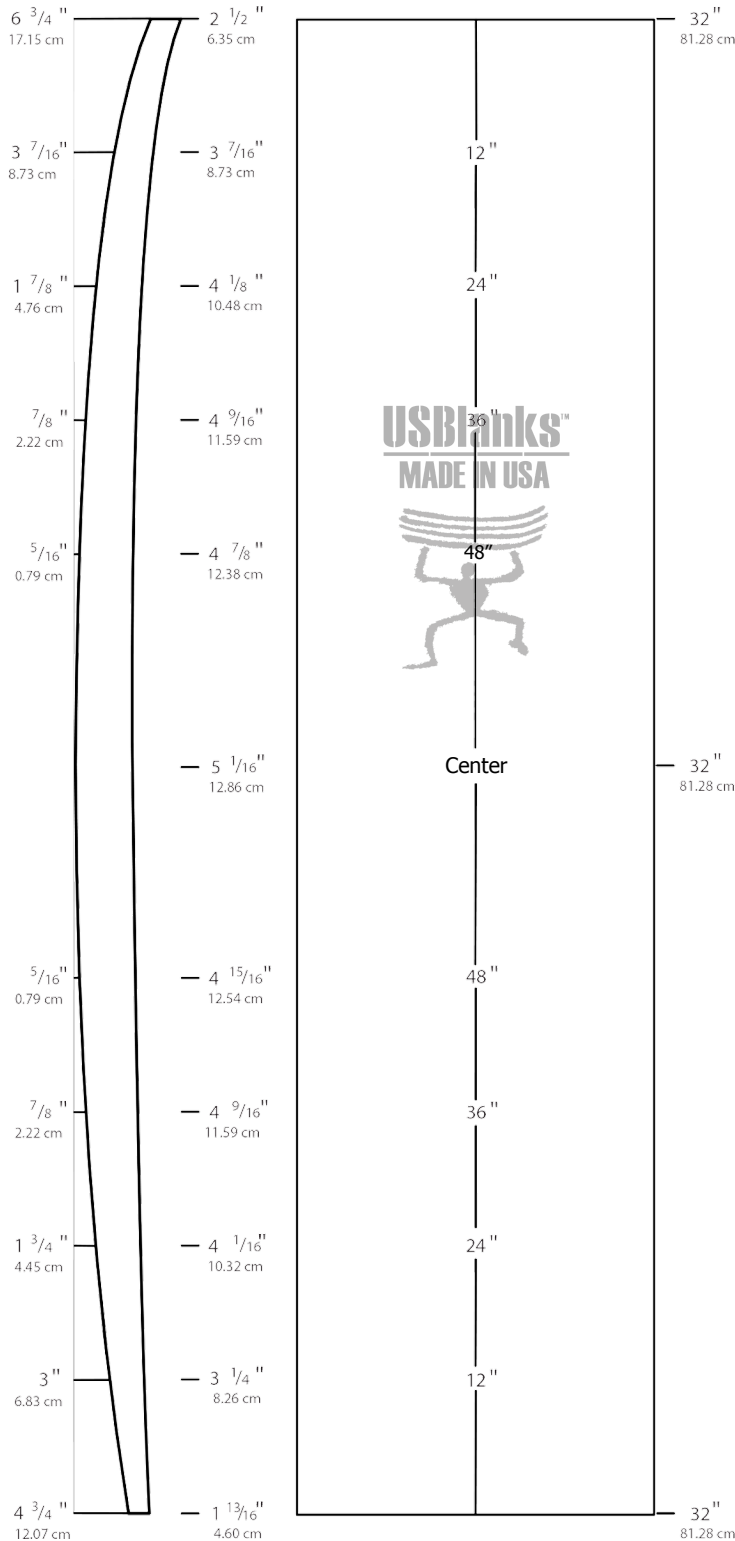
Natural Rocker: 5 1/4"N 4 3/16"T



BLOCK-CUT

11'2" EPS B-SUP

ROCKER THICKNESS WIDTH



Introduced August 2009

Overall Bottom Length: 11' 3 1/2" (344.17 cm)

Tip-to-Tip Deck Length: 11' 2" (340.36 cm)

Max Width: 32" (81.28 cm)

Max Thickness: 5 1/16" (12.7 cm)

Available Densities: 1.5 pcf & 2.0 pcf

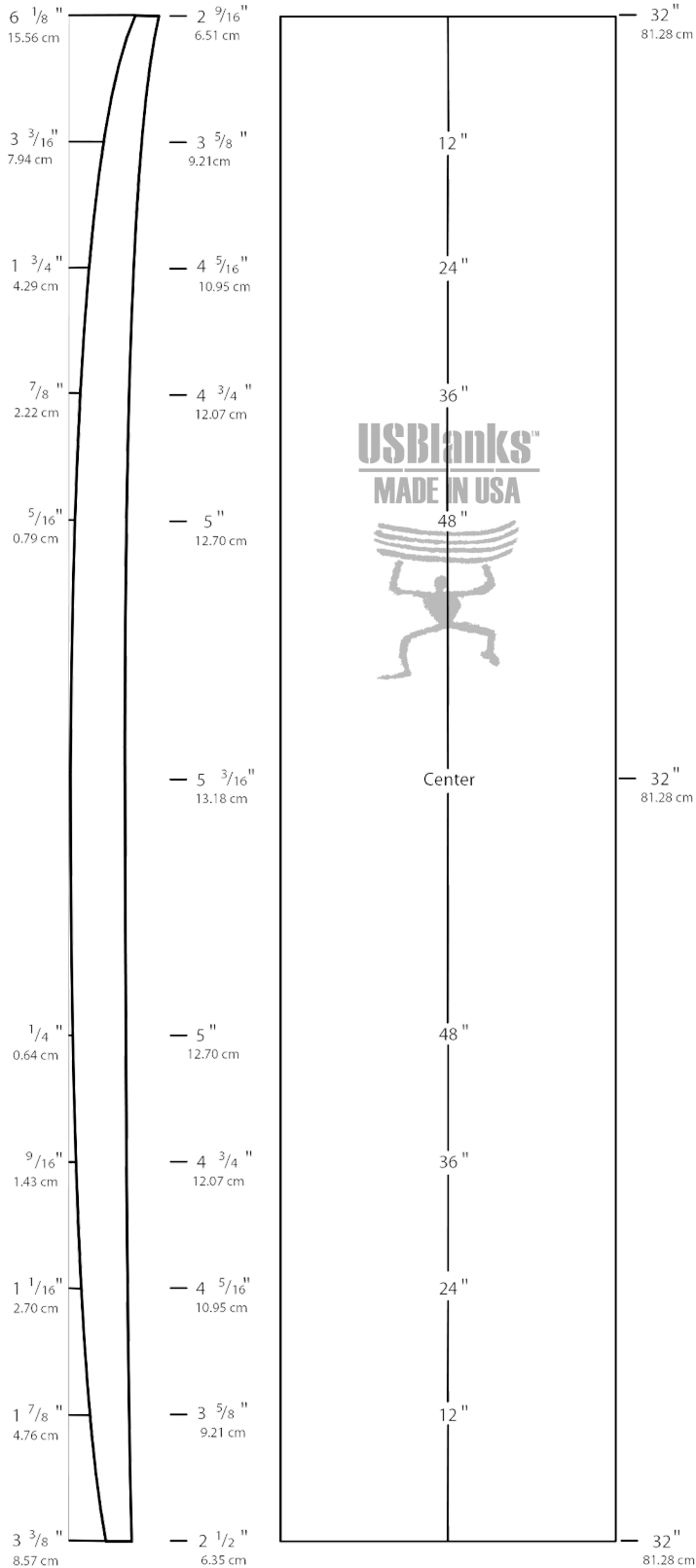
Natural Rocker: 6 3/4"N 4 3/4"T

BLOCK-CUT

12'1" EPS SUP

ROCKER THICKNESS

WIDTH



Introduced August 2009

Overall Bottom Length: 12' 2 1/8" (371.16 cm)

Tip-to-Tip Deck Length: 12' 1" (368.3 cm)

Max Width: 32" (81.28 cm)

Max Thickness: 5 3/16" (13.18 cm)

Available Densities: 1.5 pcf & 2.0 pcf

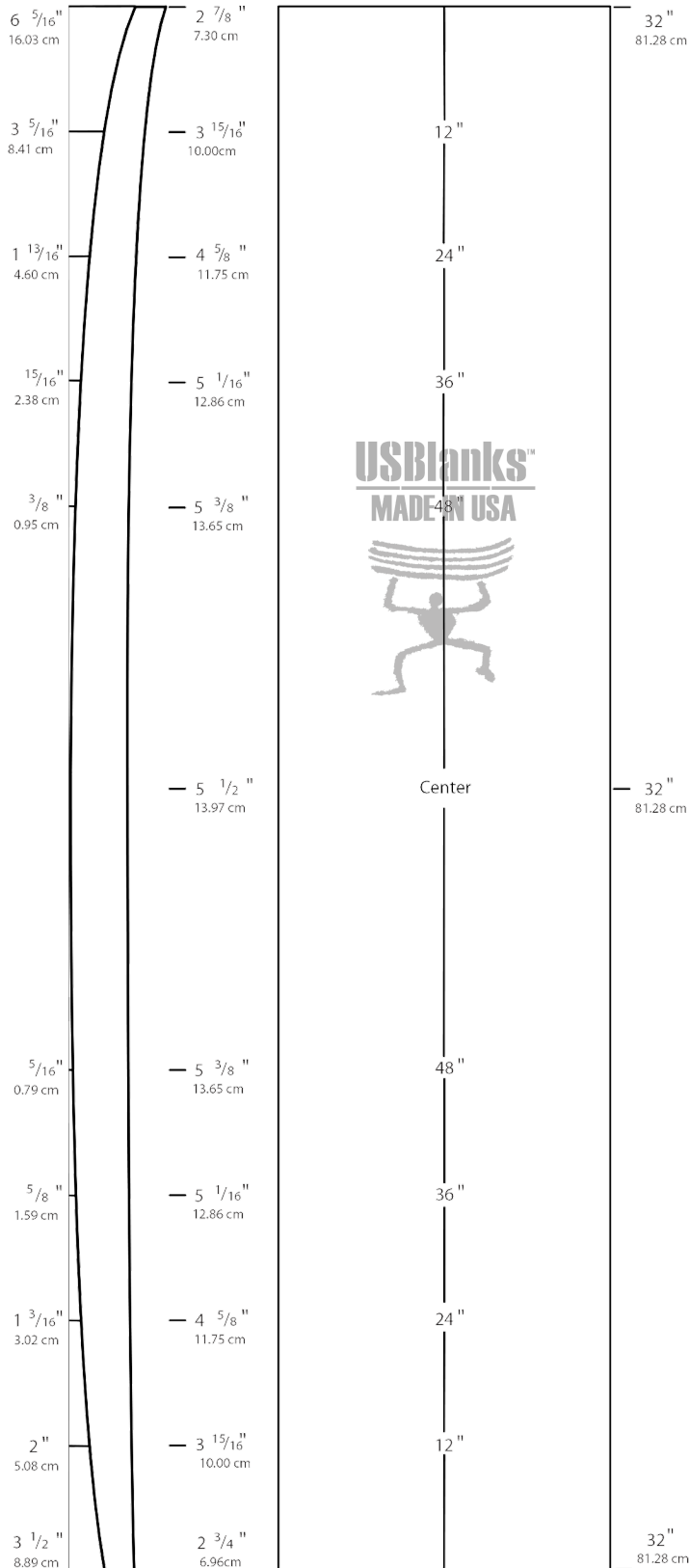
Natural Rocker: 6 1/8"N 3 3/8"T

BLOCK-CUT

12'6" EPS SUP

ROCKER THICKNESS

WIDTH



Introduced January 2011

Overall Bottom Length: 12' 7 1/2" (384.81 cm)

Tip-to-Tip Deck Length: 12' 6" (381 cm)

Max Width: 32" (81.28 cm)

Max Thickness: 5 1/2" (13.97 cm)

Available Densities: 1.5 pcf & 2.0 pcf

Natural Rocker: 6 5/16"N 3 1/2"T



PARABOLIC STRINGERS

The parabolic template outlines depicted on the following pages are drawn to scale and are representative of the curvature positioning related to the given blank sizes. All templates are named based on their overall length from end to end. When ordering please specify the specific template to be used based on the finished board length. Any Shortboard template can be used in any blank as long as the template is smaller than the blank itself (this does not apply to sh templates).

For example, you can request to use the 6'0" parabolic template in the 6'6" EA blank. As a general rule the maximum length template that can be used in a blank will be one size smaller than the blank itself (eg. 6'0" template in the 6'2" P or the 6'4" template in the 6'6" EA, etc.) We will only use the same length template in a blank when specifically requested by a customer. All templates can also be used in our SUPERFUSED EPS blanks.

Our "stock" parabolic templates can be adjusted in or out in the tail to accommodate a narrower or wider outline. Be aware that all dimensions from nose to tail will be affected when making this adjustment. Upon request customers may also submit "custom" templates to be kept as private outlines. Custom template set up will be subject to a one-time surcharge.

The most common stringer thicknesses in parabolic blanks are 3/32", 1/8" and 4mm ply (5/32"). The allowed maximum stringer thickness used for the 5'11" Fish and 6'4" Fish outlines is 3/32".

We suggest using the natural rocker in all parabolic blanks whenever possible. Parabolic stringers do not react to (or hold) rocker adjustments in the same manner as when adjusted from a center stringer. For this reason we will not guarantee precise tolerances when making custom rocker adjustments in parabolic blanks.

PARABOLIC

5'9"P

Designed by
TIMMY PATTERSON

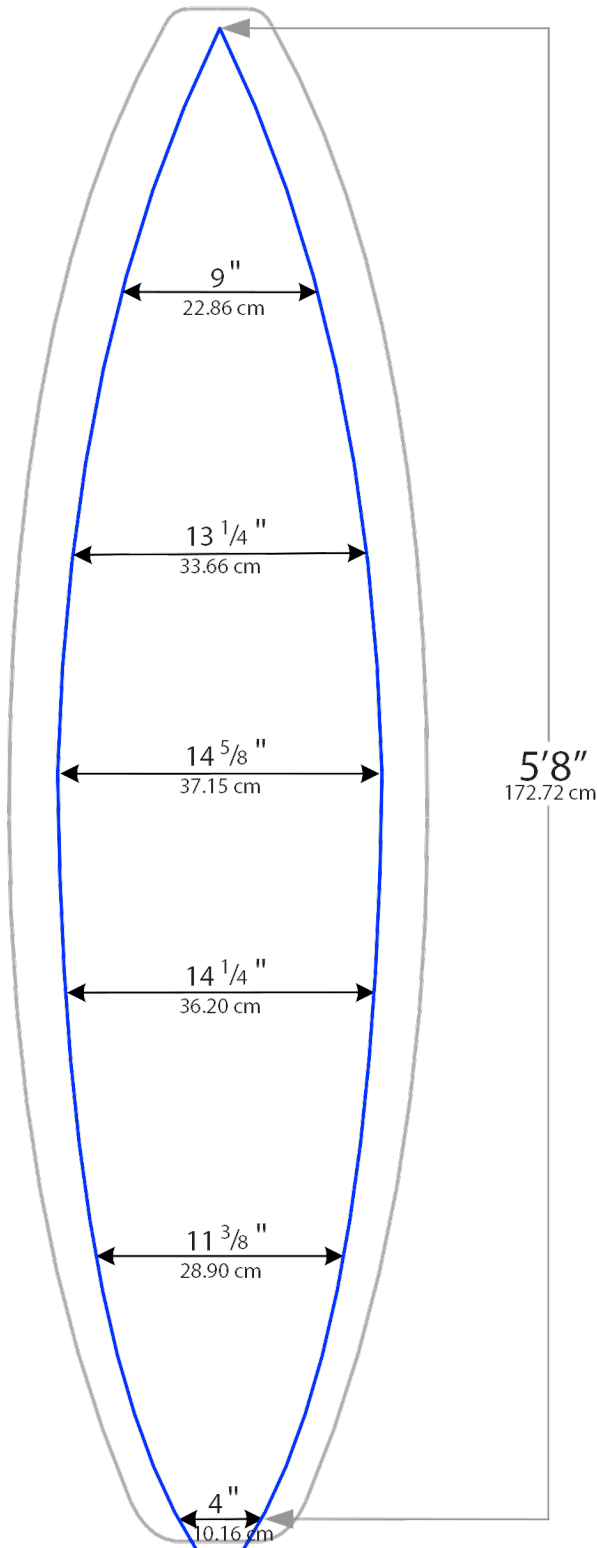
Overall Template Length: 5'8" (172.72 cm)

Blank Width: 19 1/16" (48.42 cm)
(1/2" narrower than the standard 5'9"P)

Notes: This template is suitable for high performance Shortboard shapes 5'8" and under.

* * All parabolic dimensions are "inside widths" measured across from cut to cut. Extra width must be added to the dimensions listed to account for thickness of stringers. Overall blank width is narrower due to the thickness of material removed during the cutting process.

5'9"P Parabolic Natural Rocker - 5'8" Template



PARABOLIC

6'0" P

Designed by

TIMMY PATTERSON

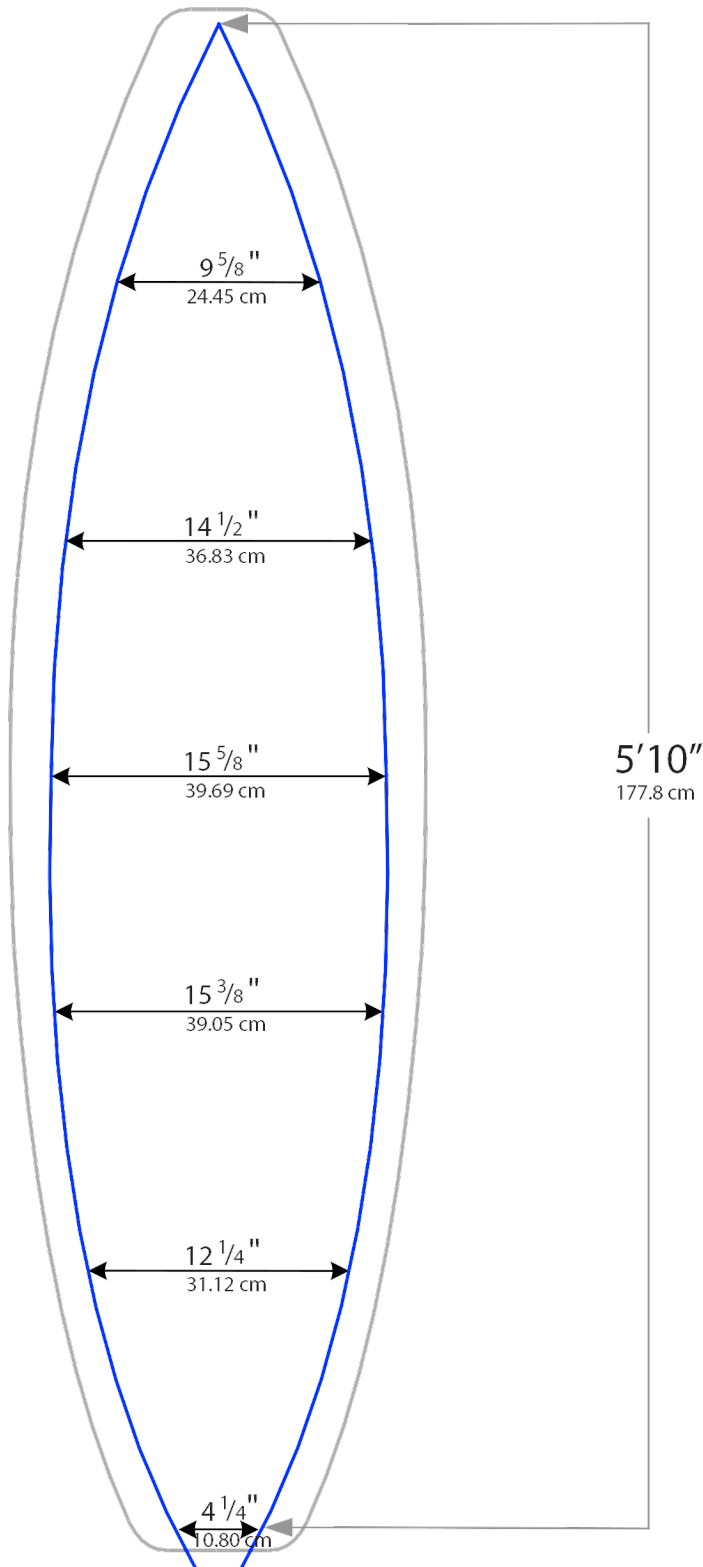
Overall Template Length: 5'10" (177.80 cm)

Blank Width: 19 9/16" (49.69 cm)
(1/2" narrower than the standard 6'0"P)

Notes: This template is suitable for high performance Shortboard shapes 5'10" and under.

* * All parabolic dimensions are "inside widths" measured across from cut to cut. Extra width must be added to the dimensions listed to account for thickness of stringers. Overall blank width is narrower due to the thickness of material removed during the cutting process.

6'0"P Parabolic Natural Rocker - 5'10" Template



PARABOLIC

6'2"A

Designed by

PAT RAWSON

Overall Template Length: 5'11" (180.34 cm)

Blank Width: 23 1/18" (58.74 cm)
(1/2" narrower than the standard 6'2"A)

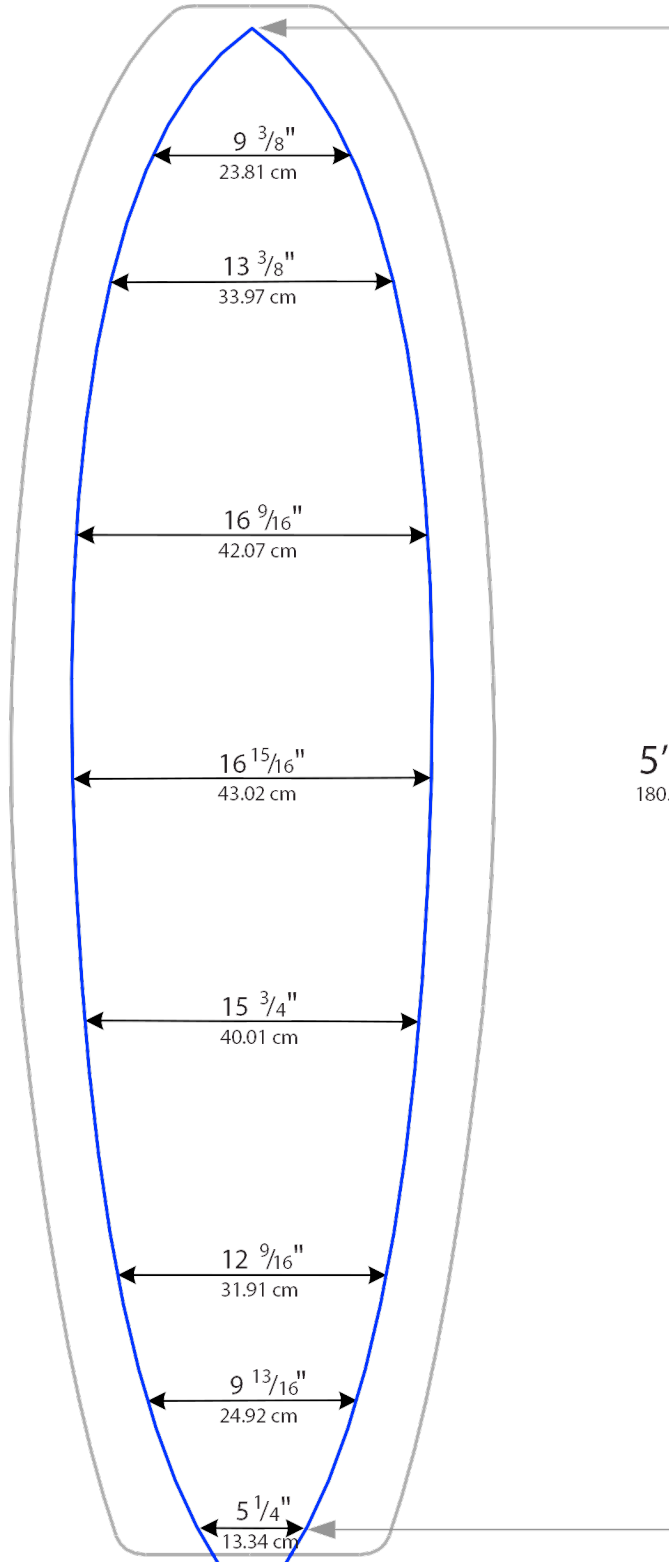
Notes: This template is suitable for high performance
Fish shapes 5'11" and under.

Maximum stringer thickness allowed = 3/32"

** All parabolic dimensions are "inside widths"
measured across from cut to cut. Extra width must be
added to the dimensions listed to account for
thickness of stringers. Overall blank width is
narrower due to the thickness of material removed
during the cutting process.

5'11"
180.34 cm

6'2"A Parabolic Natural Rocker - 5'11" Fish Template



PARABOLIC

6'2"P

Designed by

TIMMY PATTERSON

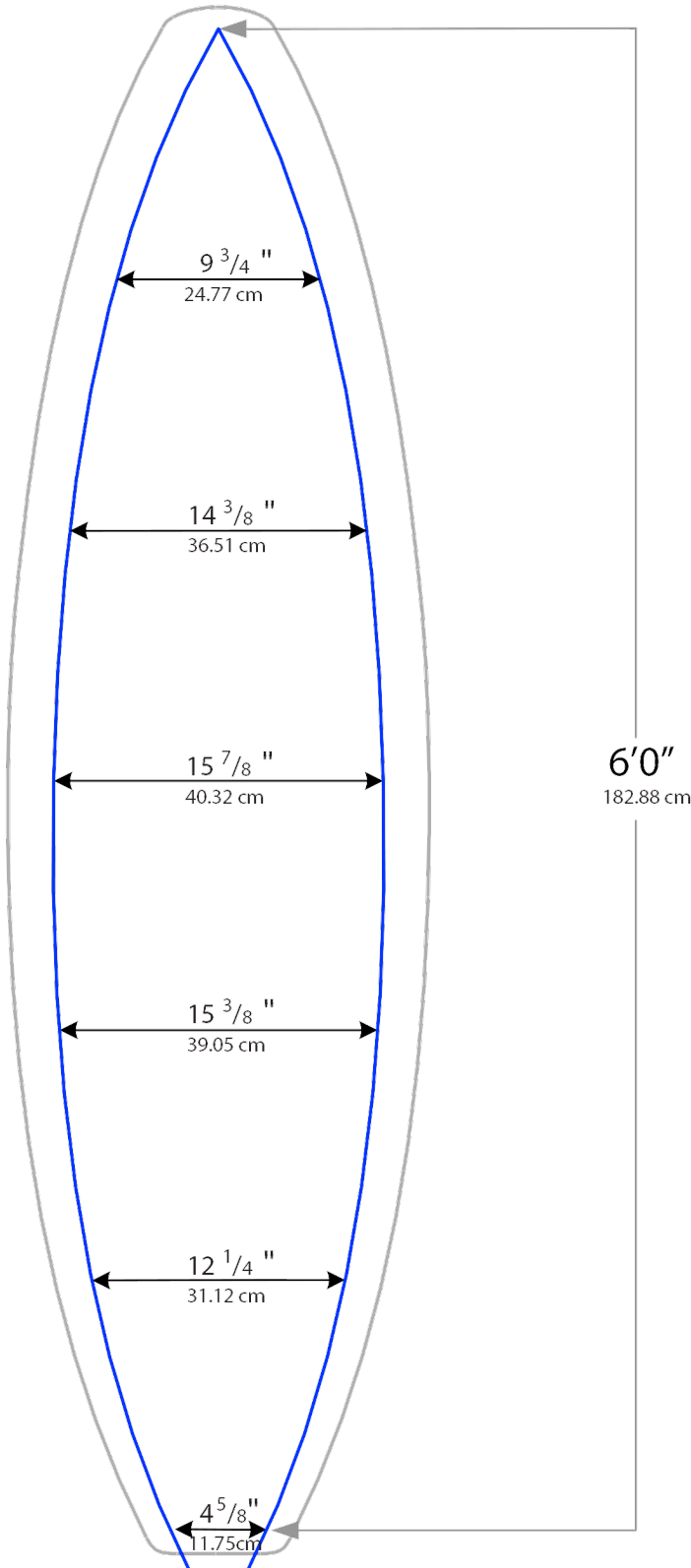
Overall Template Length: 6' (182.88 cm)

Blank Width: 20 1/8" (51.12 cm)
(1/2" narrower than the standard 6'2"P)

Notes: This template is suitable for high performance Shortboard shapes 6' and under.

* * All parabolic dimensions are "inside widths" measured across from cut to cut. Extra width must be added to the dimensions listed to account for thickness of stringers. Overall blank width is narrower due to the thickness of material removed during the cutting process.

6'2"P Parabolic Natural Rocker - 6' Template



PARABOLIC

6'3"EA

Designed by

ERIC ARAKAWA

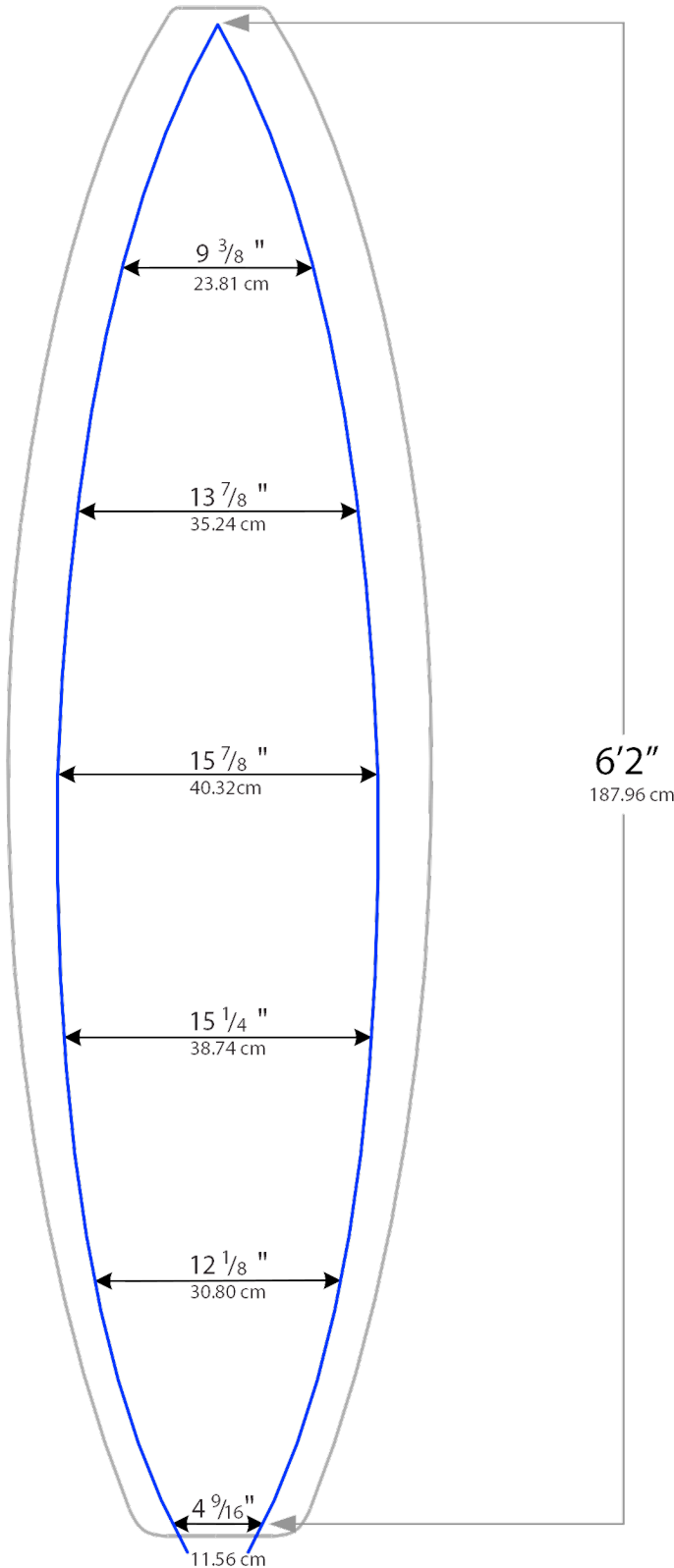
Overall Template Length: 6'2" (187.96 cm)

Blank Width: 20 5/16" (51.59 cm)
(1/2" narrower than the standard 6'3"EA)

Notes: This template is suitable for high performance Shortboard shapes 6'2" and under.

* * All parabolic dimensions are "inside widths" measured across from cut to cut. Extra width must be added to the dimensions listed to account for thickness of stringers. Overall blank width is narrower due to the thickness of material removed during the cutting process.

6'3"EA Parabolic Natural Rocker - 6'2" Template



PARABOLIC

6'5" A

Designed by

PAT RAWSON

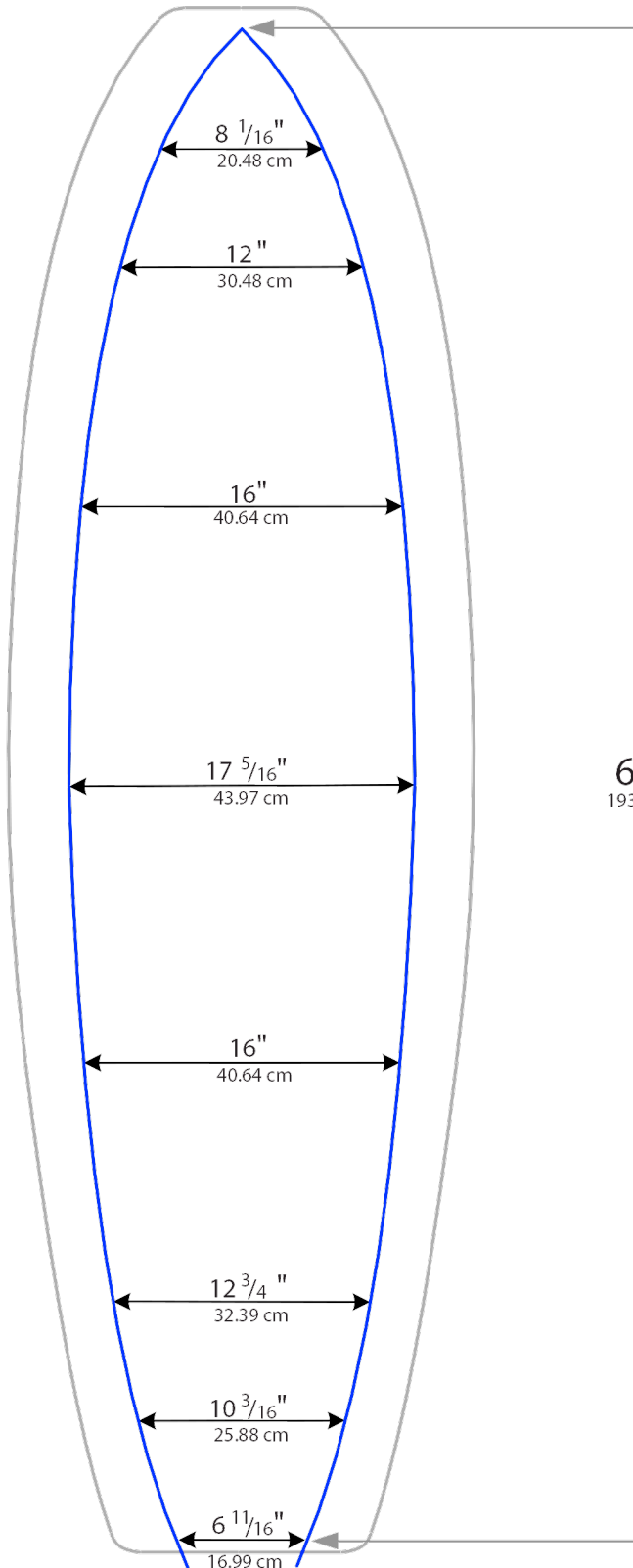
Overall Template Length: 6'4" (193.04 cm)

Blank Width: 23 1/8" (58.74 cm)
(1/2" narrower than the standard 6'5" A)

Notes: This template is suitable for high performance
Fish shapes 6'4" and under.

Maximum stringer thickness allowed - 3/32

* * All parabolic dimensions are "inside widths"
measured across from cut to cut. Extra width must be
added to the dimensions listed to account for
thickness of stringers. Overall blank width is
narrower due to the thickness of material removed
during the cutting process.



6'4" 6'5" A Parabolic Natural Rocker - 6'4" Fish Template
193.04 cm

PARABOLIC

6'6"EA

Designed by

ERIC ARAKAWA

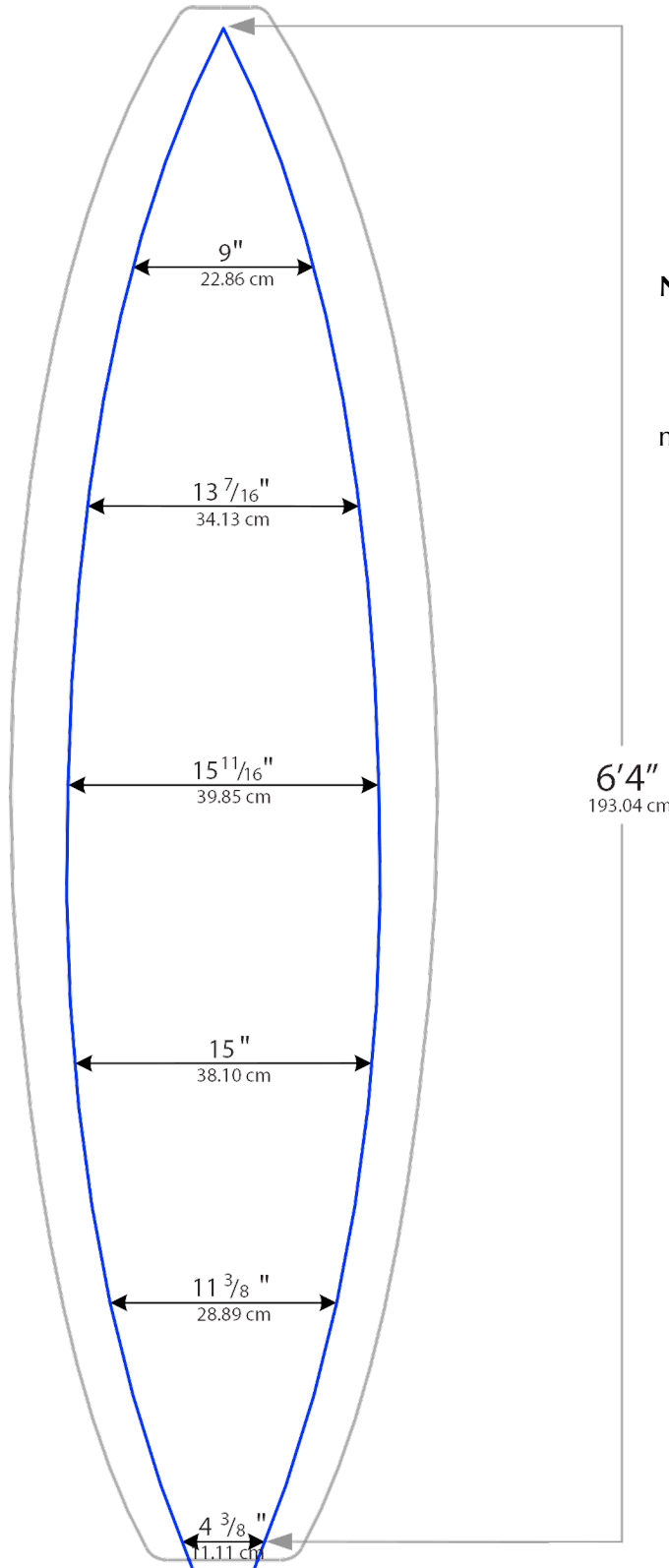
Overall Template Length: 6'4" (193.04 cm)

Blank Width: 20 15/16" (53.18 cm)
(1/2" narrower than the standard 6'6"EA)

Notes: This template is suitable for high performance Shortboard shapes 6'4" and under.

** All parabolic dimensions are "inside widths" measured across from cut to cut. Extra width must be added to the dimensions listed to account for thickness of stringers. Overall blank width is narrower due to the thickness of material removed during the cutting process.

6'6"EA Parabolic Natural Rocker - 6'4" Template



PARABOLIC

6'7" P

Designed by

TIMMY PATTERSON

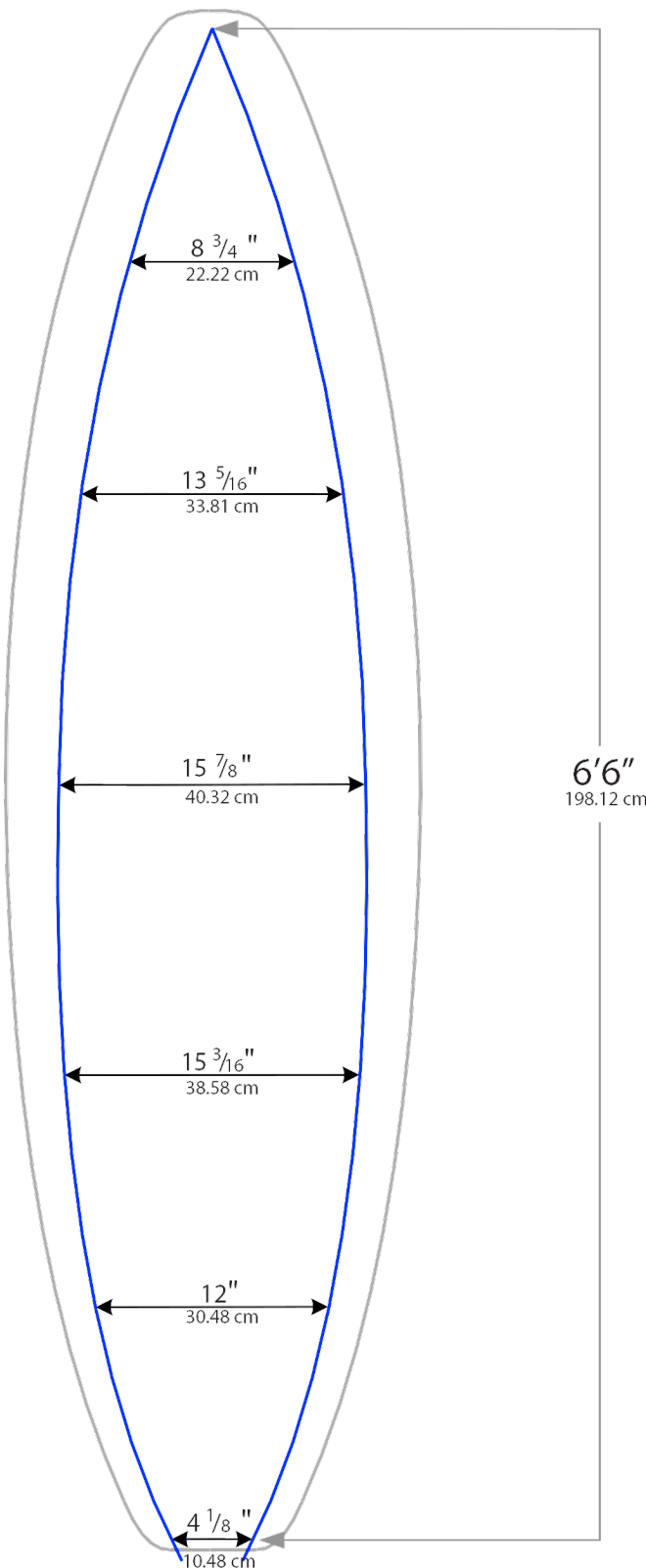
Overall Template Length: 6' 6" (198.12 cm)

Blank Width: 21" (53.34 cm)
(1/2" narrower than the standard 6'7" P)

Notes: This template is suitable for high performance Shortboard shapes 6'6" and under.

* * All parabolic dimensions are "inside widths" measured across from cut to cut. Extra width must be added to the dimensions listed to account for thickness of stringers. Overall blank width is narrower due to the thickness of material removed during the cutting process.

6'7" P Parabolic Natural Rocker - 6'6" Template



PARABOLIC

6'9"EA

Designed by

ERIC ARAKAWA

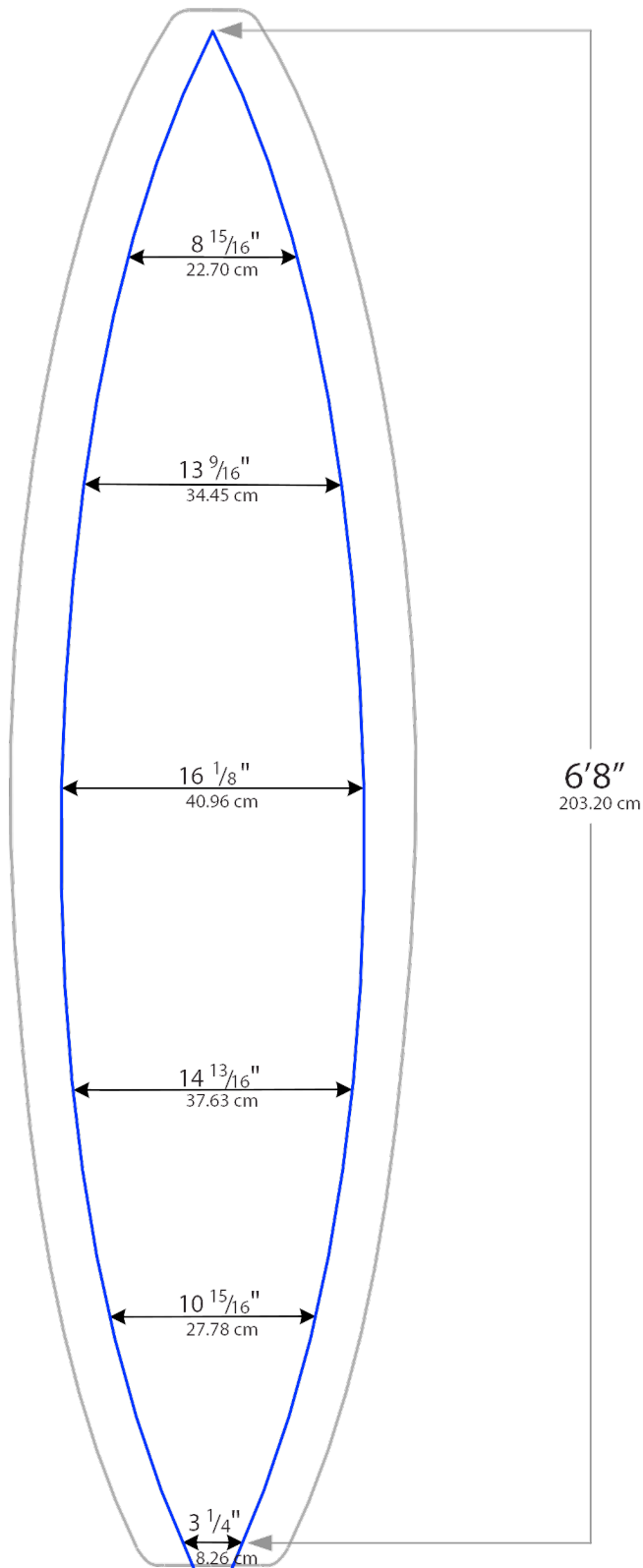
Overall Template Length: 6'8" (203.20 cm)

Blank Width: 20 13/16" (49.69 cm)
(1/2" narrower than the standard 6'9"EA)

Notes: This template is suitable for high performance Shortboard shapes 6'8" and under.

** All parabolic dimensions are "inside widths" measured across from cut to cut. Extra width must be added to the dimensions listed to account for thickness of stringers. Overall blank width is narrower due to the thickness of material removed during the cutting process.

6'9"EA Parabolic Natural Rocker - 6'8" Template



PARABOLIC

7'1"EA

Designed by

ERIC ARAKAWA

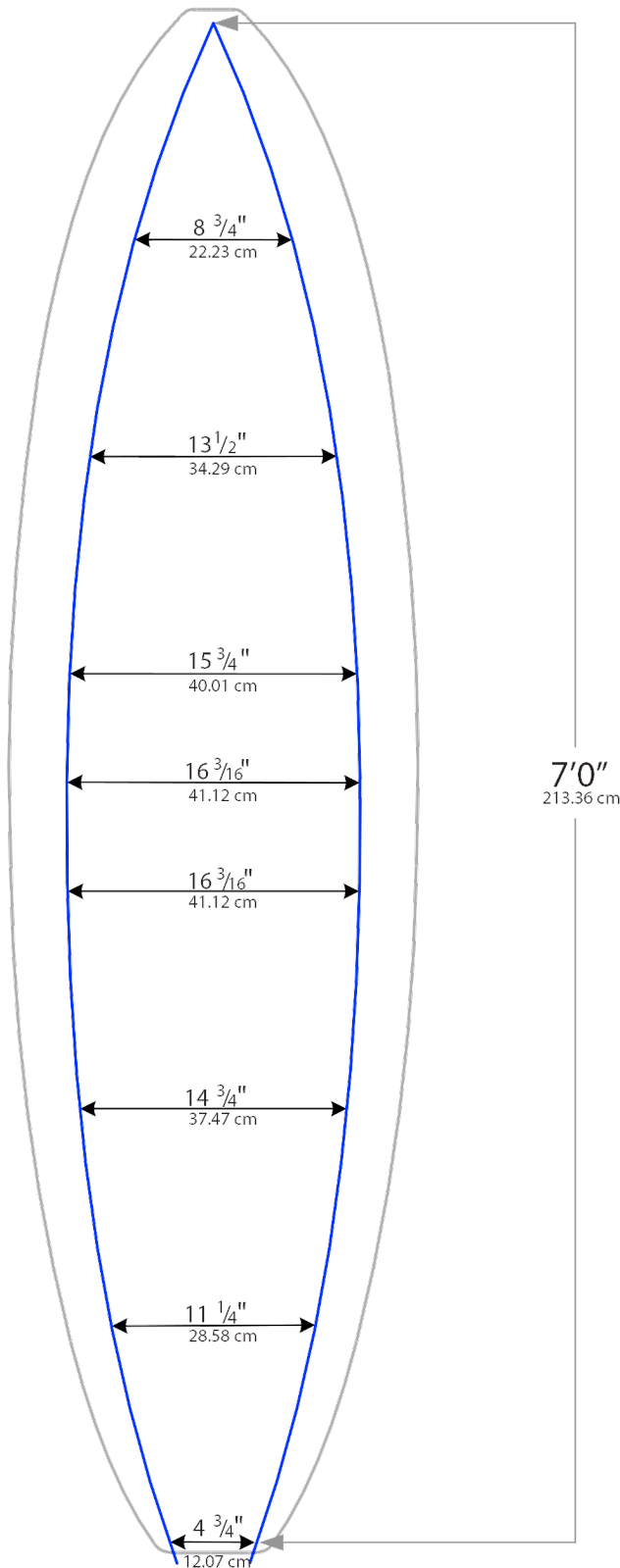
Overall Template Length: 7' (213.36 cm)

Blank Width: 22 3/16" (57.63 cm)
(1/2" narrower than the standard 7'1"EA)

Notes: This template is suitable for high performance Shortboard shapes 7' and under.

* * All parabolic dimensions are "inside widths" measured across from cut to cut. Extra width must be added to the dimensions listed to account for thickness of stringers. Overall blank width is narrower due to the thickness of material removed during the cutting process.

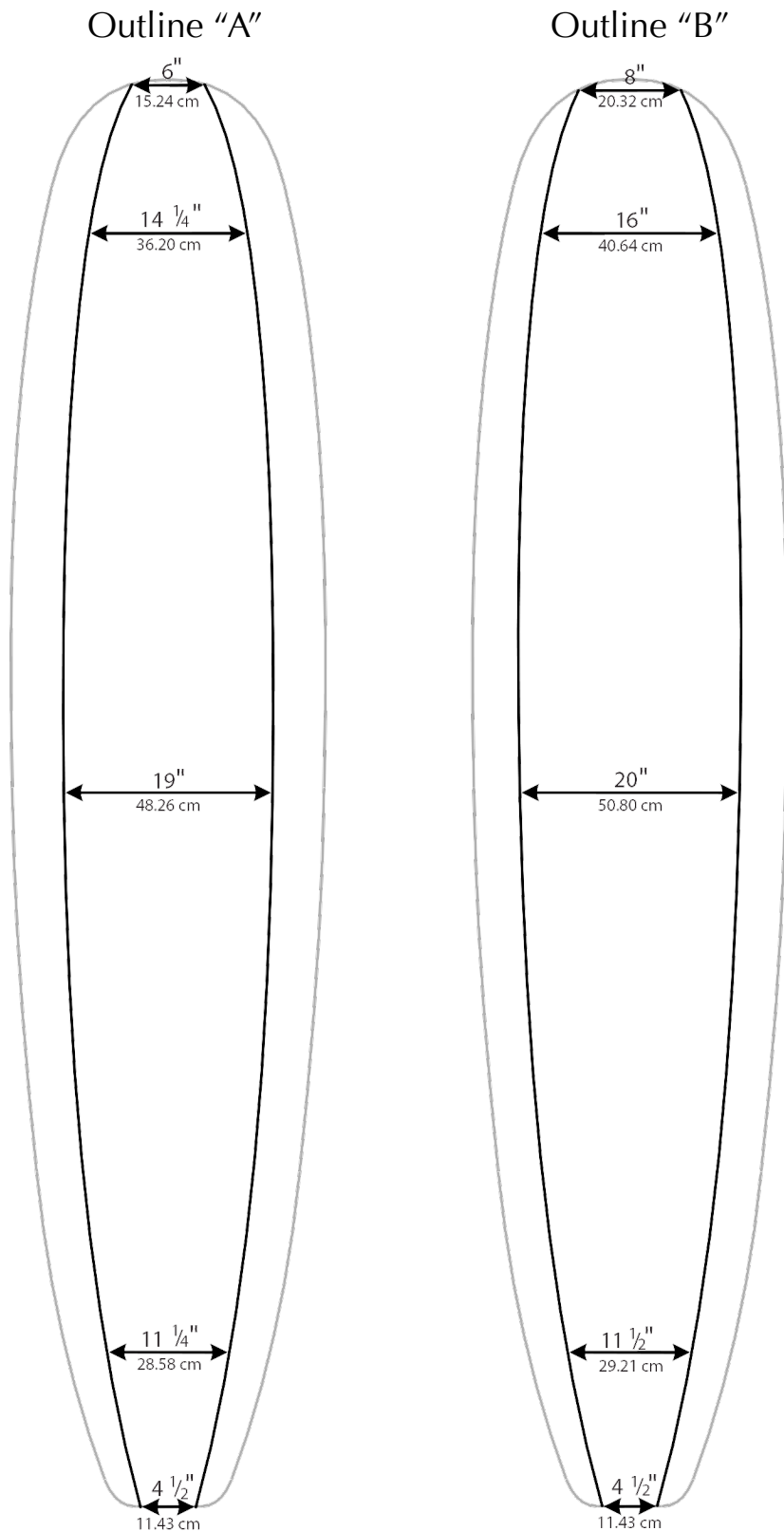
7'1"EA Parabolic Natural Rocker - 7' Template



PARABOLIC

9'4" B

Designed by
BRUCE JONES



Overall Template Length: 9' 4" (284.48 cm)

Blank Width: 24 11/16" (62.71 cm)
(1/2" narrower than the standard 9'4" B)

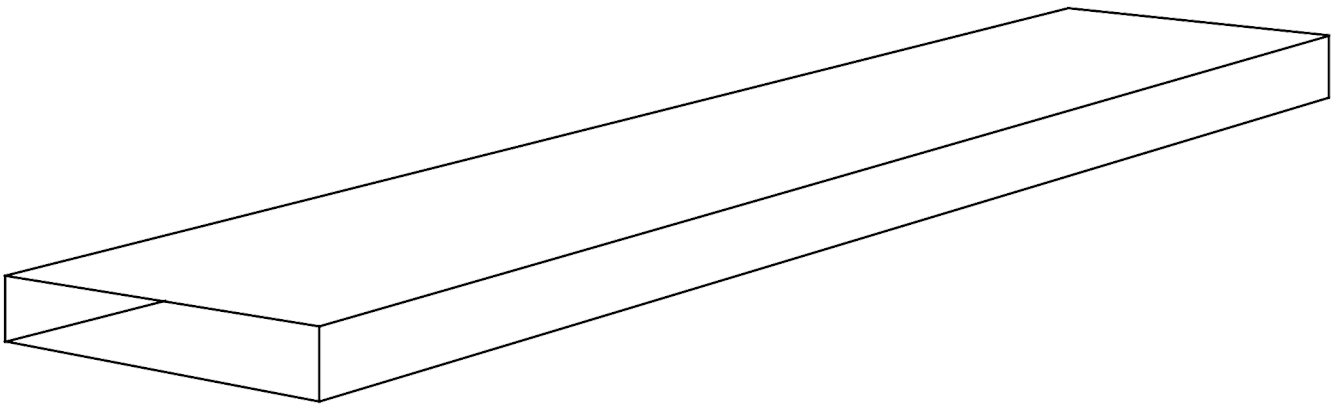
Notes: This template is suitable for high performance Longboard's 9'4" and under.

* * All parabolic dimensions are "inside widths" measured across from cut to cut. Extra width must be added to the dimensions listed to account for thickness of stringers. Overall blank width is narrower due to the thickness of material removed during the cutting process.

9'4" B Natural Rocker

MULTI-BOARD BOXES WITH BOX ENDS

BOX SIZE: (inside dimensions)	LENTH	WIDTH	HEIGHT
1. 7'4"	7'2" (2.24 m)	25" (63.5 cm)	12" (30.5 cm)
2. 8'2"	8' (2.44 m)	24" (60.96 cm)	6" (15.24 cm)
3. 8'4"	8'2" (2.49 m)	25" (63.5 cm)	12" (30.5 cm)
4. 10'2"	10' (3.05 m)	26" (66.04 cm)	6" (15.24 cm)
5. 10'8"	10'6" (3.32 m)	26" (66.04 cm)	14" (35.5 cm)
6. 12'5"	12'3" (3.73 m)	33" (83.8 cm)	12.5" (31.6 cm)



BOXES ARE A GLUED TUBE MADE OF 275# KRAFT

ENDS STAPLE IN FOR A STRUCTURAL FIT

BOXES ARE PLAN WITH NO LOGO

CONTINENTAL USA RESELLERS

US Blanks are available worldwide through a network of Resellers. Contact the Reseller nearest you for pricing & product availability.

WEST COAST

MITCH'S SURF SHOP
631 Pearl St
La Jolla, CA, 92037
(858) 459-5933
MitchsSurfShop.com

MITCH'S SURF SHOP
363 Hwy 101
Solana Beach, CA, 92075
(858) 481-1354
MitchsSurfShop.com

MITCH'S SURF SHOP
363 Hwy 101
Solana Beach, CA, 92075
(858) 481-1354
MitchsSurfShop.com

FIBERGLASS
SERVICES / SOURCE
291 Roymar Rd
Oceanside, CA, 92058
(760) 722-1666,
FiberglassSource.com

BASHAM'S SURF SHOP
213 Calle de Los Molinos
San Clemente, CA, 92677
(949) 361-2203,
BashamsSurfShop.com

PURE GLASS
1777 Placentia
Costa Mesa, CA, 92627
(949) 548-2912,
PureGlass.com

FOAM E-Z
6455 Industry Way
Westminster, CA, 92683
(714) 896-8233
FoamEZ.com

THE CRAFT
141 Suburban Rd
San Luis Obispo, CA, 93401
(805) 782-9802,
TheCraftGlassworks.com

FIBERGLASS HAWAII
4350 Transport St
Ventura, CA, 93003
(805) 644-0009,
FiberglassHawaii.com

ARROW SURF SHOP
2324 Mission St
Santa Cruz, CA, 95060
(831) 423-8286
ArrowSurfShop.com

ARROW FACTORY
1115 Thompson Ave
Santa Cruz, CA, 95062
(831) 462-2791
ArrowSurfboards.com

FIBERGLASS SUPPLY
11824 Water Tank Rd
Burlington, WA, 98233
(509) 493-3464
FiberglassSupply.com

EAST COAST

US BLANKS
2775 Business Center Blvd
Melbourne, FL, 32940
(321) 253-3626
USBlanks.com

THE SURF SOURCE
52 W 3rd St
Atlantic Beach, FL, 32233
(904) 247-0808
SurfSource.net

U.S. FIBERGLASS
PRODUCTS / WRV
8778 Caratoke Hwy
Harbinger, NC, 27941
(252) 491-8535
WRVFactory@gmail.com

GREENLIGHT SURF SUPPLY
187 Parker Ave,
Manasquan, NJ 08736
(732) 223-1694
GreenLightSurfSupply.com

HAWAII & INTERNATIONAL RESELLERS

US Blanks are available worldwide through a network of Resellers. Contact the Reseller nearest you for pricing & product availability.

HAWAII

FIBERGLASS HAWAII
1377 Colburn St
Honolulu, Oahu, HI, 96817
(808) 847-3951
FiberglassHawaii.com

FIBERGLASS HAWAII
914 Palm Pl
Wahiawa, Oahu, HI, 96786
(808) 621-5667
FiberglassHawaii.com

FIBERGLASS HAWAII
246 Papa Pl
Kahului, Maui, HI, 96732
(808) 871-7955
FiberglassHawaii.com

EUROPE

SEABASE
Unit 10, Seabase Industrial
Estate Newquay, Cornwall,
UK, TR7 2SX
+44 (0) 1637 875 811
Seabase.eu

SEABASE
245 Av. des Tuileries,
Z.A. de Pedebert Soorts-Hossegor
40150, France
+33 (0) 5 58 41 77 05
Seabase.eu

YALANTICO
Calle Los Olivos, 9 Poligono Ind.
Arinaga Gran Canaria
35119, Canary Is.
+34 928 181 938
Yatlantico.es

CENTRAL & SOUTH AMERICA

SURFOAM CENTRAL
AMERICA
Centro Comercial Palmas de
Tamarindo, Local Numero 6,
de la plaza de deportes 200
metros Sur, Villareal
Guanacaste, Costa Rica
(506) 8447-1283
SurfoamCentralAmerica.com

WAYO WHILAR SURFBOARDS
Av. Grau 111 Baranco
Lima, Peru
51 1 254 2344
WayoWhilar@gmail.com

SURFHOUSE
Badajoz 12, Department 203
Las Condes Santiago, Chile
02 2124952
BlueHawaii20@yahoo.es

JAPAN

MANEUVERLINE
3-8-2 Miyoshi Kohtohku
Tokyo, Japan, 135-0022
+81 3 5245 3113,
Maneuverline.co.jp

MANEUVERLINE
6-8-24 Ichinomiya Samukawa
Kanagawaken, Japan, 253-0111
+81 467 72 6226,
Maneuverline.co.jp

BLANK	GENRE	LENGTH STRAIGHT LINE	NOSE @ 12"		MAX WIDTH	MAX THICKNESS	TAIL @ 12"		NOSE @ TIP	TAIL @ TIP
			Deck: Tip to Tip	Width			Thick.	Width		
5'9"P	Shortboard	5'9 5/8"	13 11/16"	1 5/8"	19 3/8"	2 7/16"	14 13/16"	1 3/4"	4 3/4"	2"
5'10"RP	Fish/Egg	5'10 3/4"	19 5/16"	2 3/16"	24 7/8"	2 15/16"	20 3/8"	2 3/16"	4 5/8"	1 15/16"
6'0"P	Shortboard	6'0 1/4"	14 1/16"	1 5/8"	20"	2 1/2"	15 9/16"	1 7/8"	4 5/8"	1 11/16"
6'0"R	Shortboard	5'11 3/4"	16 3/8"	2 3/16"	21 5/8"	3"	17 1/8"	2 1/4"	4 7/16"	2 1/8"
6'2"A	Fish/Egg	6'2"	19"	2 1/8"	23 1/2"	2 15/16"	18 9/16"	2"	4 3/4"	1 13/16"
6'2"P	Shortboard	6'1 7/8"	14"	1 5/8"	20 1/2"	2 1/2"	15 7/16"	1 7/8"	4 7/16"	2 1/4"
6'3"EA	Shortboard	6'3 1/4"	14 3/16"	1 11/16"	20 5/8"	2 9/16"	15 7/16"	1 7/8"	5 1/2"	2 1/16"
6'4"EA	Shortboard	6'3 1/2"	14 3/16"	1 3/4"	20 5/8"	2 3/4"	15 7/16"	2"	5 1/2"	2 1/16"
6'4"MB	Shortboard	6'4 1/8"	14 3/4"	2 5/16"	21 7/16"	3 3/16"	16 3/4"	2 5/16"	4 7/8"	2"
6'5"A	Fish/Egg	6'4 7/8"	18 7/8"	2 3/16"	23 1/2"	3 1/8"	18 3/8"	2 1/8"	5 1/6"	1 3/4"
6'5"R	Shortboard	6'4 3/4"	16 7/8"	2 3/8"	21 3/4"	3 1/4"	17"	2 7/16"	4 11/16"	2 1/4"
6'6"EA	Shortboard	6'5 3/8"	14 5/8"	1 7/8"	21 1/4"	2 15/16"	15 3/4"	2 1/16"	5 5/16"	2 3/16"
6'7"P	Shortboard	6'6 1/2"	14 1/2"	1 9/16"	21 1/2"	2 3/4"	15 7/8"	1 13/16"	5 1/4"	2 3/8"
6'8"A	Fish/Egg	6'7"	15 9/16"	2 3/16"	21 7/8"	2 15/16"	16 3/4"	2 1/4"	5 5/16"	1 3/4"
6'8"AX	Fish/Egg	6'7"	15 9/16"	2 9/16"	21 7/8"	3 5/16"	16 3/4"	2 5/8"	5 5/16"	1 3/4"
6'8"P	Shortboard	6'6 3/4"	14 1/2"	1 11/16"	21 3/8"	2 3/4"	15 11/16"	1 7/8"	5 1/16"	2 3/16"
6'8"RP	Fish/Egg	6'8 3/4"	18 9/16"	2 1/8"	25 1/8"	3"	20"	2 3/16"	5"	2 1/8"
6'9"EA	Shortboard	6'8"	14 1/8"	1 7/8"	21 5/16"	2 15/16"	15 5/8"	2"	5 9/16"	2 1/2"
6'9"R	Shortboard	6'9 5/8"	17 3/8"	2 7/16"	23 1/8"	3 9/16"	17 3/4"	2 9/16"	4 7/8"	2 3/8"
6'10"A	Fish/Egg	6'9 1/2"	19 1/16"	2 3/8"	24"	3 1/2"	18 1/8"	2 5/16"	5"	1 7/8"
7'0"A	Shortboard	6'10 3/4"	15 5/8"	2 1/16"	22 1/8"	3 3/16"	15 3/4"	2 3/16"	5 1/2"	2"
7'1"A	Shortboard	6'11"	15 1/2"	2 3/16"	22 3/16"	3"	15 5/8"	2 1/8"	5 11/16"	2 1/16"
7'1"EA	Funboard	6'11 3/4"	15 3/4"	2"	22 9/16"	3"	16 1/4"	2 1/8"	5 3/8"	2 1/4"
7'2"EA	Gun	7'1 7/8"	13 1/4"	1 13/16"	21 5/8"	2 15/16"	15 1/4"	2 1/16"	6 1/16"	2 9/16"
7'3"A	Fish/Egg	7'2 3/8"	18 1/2"	2 7/16"	24"	3 5/8"	17 3/4"	2 5/16"	5 5/16"	2 1/16"
7'4"SP	Fish/Egg	7'4 3/4"	20 3/8"	2 1/4"	24 1/16"	3 3/8"	17 1/2"	2 3/8"	4 1/8"	2 3/8"
7'5"A	Funboard	7'3 7/16"	15 3/16"	2"	21 7/8"	3"	15 3/8"	2 1/16"	6"	2 1/8"
7'6"EA	Funboard	7'5 3/8"	15 5/8"	2 1/16"	23"	3 3/16"	16 1/8"	2 1/8"	5 3/8"	2 5/16"
7'7"A	Funboard	7'6"	16 1/4"	2 5/16"	22 7/8"	3 7/16"	16 1/8"	2 5/16"	6"	2 3/16"
7'8"EA	Gun	7'8 3/16"	12 3/4"	1 13/16"	21 7/8"	3"	14 1/2"	2"	6 3/16"	2 5/8"
7'9"H	Fish/Egg	7'8 3/8"	19 3/4"	2 1/16"	23 9/16"	3 3/16"	17 1/16"	2 1/16"	3 1/2"	2 15/16"

BLANK	GENRE	LENGTH STRAIGHT LINE	NOSE @ 12"		MAX WIDTH	MAX THICKNESS	TAIL @ 12"		NOSE @ TIP	TAIL @ TIP
7'9"HX	Fish/Egg	7'8 3/8"	19 3/4"	2 7/16"	23 9/16"	3 9/16"	17 1/16"	2 7/16"	3 1/2"	2 15/16"
7'10"SP	Funboard	7'10 3/4"	20 7/16"	2 5/16"	24 3/8"	3 3/8"	17 1/8"	2 5/16"	4 1/2"	2 1/2"
7'11"A	Gun	7'10 11/16"	13 1/4"	2 1/8"	21 7/8"	3 1/8"	14 1/8"	2 1/8"	6 7/16"	2 1/2"
8'0"H	Fish/Egg	7'11 5/8"	19 1/16"	2 1/8"	23 5/8"	3 5/16"	16 7/16"	2 1/8"	3 9/16"	3 1/8"
8'1"EA	Funboard	7'11 3/4"	17 1/16"	1 15/16"	24 1/16"	3 3/8"	16 3/4"	2 1/8"	6 7/16"	2 11/16"
8'2"A	Funboard	8'1 1/2"	17 3/8"	2 7/16"	25"	4 1/16"	17 11/16"	2 5/8"	6 5/8"	2 9/16"
8'2"AX	Funboard	8'1 1/2"	17 3/8"	2 13/16"	25"	4 7/16"	17 11/16"	3"	6 5/8"	2 9/16"
8'3"H	Funboard	8'2 5/8"	18 3/4"	2 1/16"	23 5/8"	3 3/8"	16 5/16"	2 1/16"	4 1/8"	3 3/16"
8'4"SP	Fish/Egg	8'3 13/16"	19 1/4"	2 1/4"	24 3/16"	3 3/8"	16 1/2"	2 1/4"	4 3/4"	2 13/16"
8'4"SPX	Fish/Egg	8'3 13/16"	19 1/4"	2 5/8"	24 3/16"	3 3/4"	16 1/2"	2 5/8"	4 3/4"	2 13/16"
8'5"A	Gun	8'5 1/2"	12 15/16"	2 3/16"	22"	3 3/8"	13 11/16"	2 3/16"	6 3/4"	2 7/16"
8'6"EA	Funboard	8'5 1/8"	16 1/2"	2 1/16"	24 1/16"	3 3/8"	16 3/16"	2 3/16"	6 9/16"	2 5/8"
8'9"Y	Longboard	8'8 1/2"	20 1/2"	2 5/16"	24 13/16"	3 3/8"	18"	2 5/16"	4 1/8"	3 3/16"
8'9"YX	Longboard	8'8 1/2"	20 1/2"	2 11/16"	24 13/16"	3 3/4"	18"	3"	4 1/8"	3 3/16"
9'2"A	Gun	9'2"	12 5/8"	2 3/16"	22 1/4"	3 1/2"	12 3/4"	2 1/16"	7 5/8"	2 3/4"
9'3"A	Funboard	9'2 5/8"	17 1/8"	2 1/4"	25 1/2"	4 5/16"	16 15/16"	2 3/4"	7 11/16"	3 1/16"
9'3"AX	Funboard	9'2 5/8"	17 1/8"	2 5/8"	25 1/2"	4 11/16"	16 15/16"	3 1/8"	7 11/16"	3 1/16"
9'3"Y	Longboard	9'2 5/8"	20 5/8"	2 3/8"	25 1/16"	3 1/2"	17 5/8"	2 3/8"	4 5/16"	3 1/4"
9'4"B	Longboard	9'3 1/16"	20 5/16"	2"	25 1/16"	3 5/16"	16 5/16"	2 1/8"	4 3/4"	3 1/2"
9'5"M	Longboard	9'3 3/4"	20 1/4"	2 1/16"	24 11/16"	3 3/16"	16"	2 1/8"	4 13/16"	3 5/8"
9'8"Y	Longboard	9'7 3/4"	20 3/4"	2 1/2"	25 1/4"	3 5/8"	17 5/8"	2 1/2"	4 1/2"	3 5/8"
9'9"A	Gun	9'8 3/8"	12 7/16"	2 1/8"	22 7/16"	3 11/16"	12 3/4"	2"	7 11/16"	3 1/8"
9'9"AX	Gun	9'8 3/8"	12 7/16"	2 1/2"	22 7/16"	4 1/16"	12 3/4"	2 3/8"	7 11/16"	3 1/8"
9'9"B	Longboard	9'9 1/8"	19 15/16"	2 1/4"	24 15/16"	3 3/4"	16 7/16"	2 1/4"	4 7/16"	4 1/8"
10'0"B G	Gun	10'0 3/8"	17"	2 7/8"	25 5/8"	4 9/16"	16 5/16"	2 7/8"	7 7/16"	3 1/4"
10'1"C	Longboard	10'1 3/4"	20 7/8"	2 3/4"	25 7/16"	4 1/8"	17 15/16"	2 13/16"	4 7/16"	3 5/8"
10'2"B	Longboard	10'1 1/2"	20 3/4"	2 5/16"	25 3/16"	3 1/2"	17 9/16"	2 1/4"	4 13/16"	3 7/16"
10'2"BX	Longboard	10'1 1/2"	20 3/4"	2 9/16"	25 3/16"	3 3/4"	17 9/16"	2 1/2"	4 13/16"	3 7/16"
10'6"A	Gun	10'5 7/8"	12 3/8"	2 1/8"	23 3/16"	3 3/4"	12 3/8"	2"	8 3/16"	3 7/16"

BLANK	GENRE	LENGTH STRAIGHT LINE	NOSE @ 12"		MAX WIDTH	MAX THICKNESS	TAIL @ 12"		NOSE @ TIP	TAIL @ TIP
10'6"AX	Gun	10'5 7/8"	12 3/8"	2 5/8"	23 3/16"	4 1/4"	12 3/8"	2 1/2"	8 3/16"	3 7/16"
10'8"BG	Gun	10'8 1/4"	16 3/4"	2 13/16"	25 9/16"	4 9/16"	15 13/16"	2 3/4"	7 15/16"	3 7/16"
10'8"C	Longboard	10'8 1/8"	21 7/16"	2 3/4"	26 9/16"	4 5/16"	18 9/16"	2 7/8"	4 15/16"	3 7/8"
10'8"Y	Longboard	10'7 5/16"	20 1/2"	2 9/16"	25 1/2"	3 3/4"	17 3/8"	2 1/2"	5 1/4"	3 5/8"
10'10"T	SUP	10'9"	25 3/8"	2 7/8"	32 1/16"	5"	21 15/16"	3 9/16"	5 1/8"	3 1/16"
11'3"D	Longboard	11'2"	19 9/16"	2 7/16"	26 7/8"	4 7/32"	17 9/16"	2 11/16"	5 3/8"	3 1/4"
11'8"BG	Gun	11'8 15/16"	17 1/16"	2 13/16"	26 3/8"	4 3/4"	15 15/16"	2 7/8"	8 3/8"	3 9/16"

WHOLESALE - US Blanks is a wholesale manufacturer selling only to customers engaged in resale.

QUANTITY DISCOUNTS - US Blanks offers a percent discount based on a single shipment quantity. To qualify, an order must be placed for a single delivery to a single location. If US Blanks cannot supply the blanks as requested, the quantity discount will be honored. The higher percentage discount between QUANTITY DISCOUNT and ANNUAL DISCOUNT will be used to price an order.

ANNUAL DISCOUNT - US Blanks offers a percentage annual discount based on the dollar volume of sales over a twelve month period. At least every six months all accounts will be reviewed and adjusted per the discount schedule below.

Customers may request a review of their annual discount at any time, based on the prior six month purchasing history. There will be no retroactive increases or decreases based on adjusted discount. US Blanks may negotiate an annual discount for a new customer based on prior history, which will be adjusted in six months based on actual purchases.

For a full US Blanks Discount Policy please contact our office.

DELIVERY - Delivery will be at no charge to delivery points in Southern California within our normal local delivery area. Exact delivery dates are not set, however we will deliver to each area at least once per week. Delivery to the Central Coast areas will be approximately every 3-4 weeks and will have a small per blank delivery charge based on blank size.

To qualify for delivery, customers must provide an acceptable commercial location to receive blanks within normal business hours. Alternate drop off points, keys, or other arrangements are requested to insure an efficient delivery.

Delivery outside our normal route will only be considered based on location and delivery back log. Delivery outside our normal route (or excess re-scheduling of deliveries) will be charged an hourly delivery rate from and to the closest stop, or require a minimum number of blanks be purchased.

Delivery priority will be based on a combination of oldest order first, combined with manufacturing requirements.

STANDARD OF QUALITY – Imperfect inspection, shipping and handling damage, and small variations in quality must be accepted uniformly by all customers.

Special inspection and sorting is not allowed. Damage and inspection mistakes will be corrected where practical.

All blanks will be considered FIRST Quality unless marked SECOND. All blanks sold will be structurally sound. Blanks that are determined by US Blanks to be structurally unsound will be destroyed.

Blanks will be marked as a SECOND if there is a flaw that limits the size board that can be made from a blank, a cosmetic problem, or a blemish that requires limited filling.

SECONDS will be priced based on supply and demand. SECONDS are sold "AS IS" and are not eligible for return.

SUB-STANDARD BLANKS – US Blanks will do our best to accurately determine the quality of a blank. Occasionally we may error, a flaw may not be visible until a blank is shaped, or a blank may become damaged under the control of US Blanks. If any of these circumstances should occur, US Blanks will remedy the situation to the customer's satisfaction by either giving a price credit between the cost of the purchase price and a SECOND price, or replacing the blank with a duplicate.

To be eligible to have the blank replaced the original blank must be returned to US Blanks or their distributor.

US Blanks will not accept for return or credit any blank that is damaged while in the control of the customer. Handling damage in transit by a common carrier will be negotiated.

Returns or credits normally will not be allowed for blanks that we cannot identify as a US Blank, or if the fault cannot be determined. Once a flaw is identified, we encourage stopping work on a blank if a return or credit is going to be requested. Costs incurred beyond the point of identifying the flaw will be the responsibility of the shaper.

Requests for credits due to a quality issue must be made within six months of the purchase date.

SHAPING CREDIT - In addition to a replacement blank, the following fee will be credited to customers who have shaped a blank, either with a machine or by hand, that has been determined to be an inferior product, based on US Blanks quality standards. The original blank must be returned to be eligible for the replacement blank and shaper's credit. In lieu of this fee, a second single stringer blank may be negotiated.

FINISHED BOARDS / FAULTY FOAM – Once glassed, it is very difficult to determine foam failure in a finished board. Shaping and glassing integrity, and customer use, all affect the strength of the finished board. Most structural problems with a blank should be identified in the shaping and/or glassing processes. US Blanks will guarantee its blank in those rare circumstances that a structural problem cannot be detected during shaping or glassing, providing the foam is tested and proven to be faulty.

To be tested, US Blanks will require a piece of the finished board which we will test in comparison to a stock blank. Original blank size and density will be required to complete testing. All tests will be completed at the expense of US blanks.

If the foam is found faulty, we will pay up to but no more than the direct cost of material, supplies, and labor upon receipt of documentation.

If the foam is found faulty, and the customer wishes to repair the board and sell at a discount, US Blanks will cover the direct costs of repairing the board.

US Blanks will not guarantee normal wear and tear on a surfboard, including but not limited to discoloration, cosmetic flaws, twist, dents, dings, small delaminations, excessive heat exposure, or broken boards.

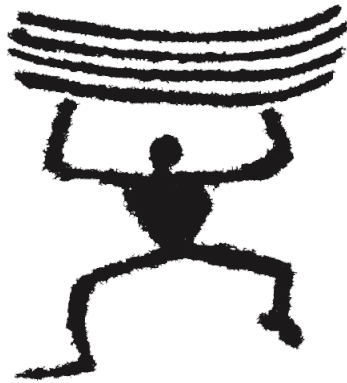
RETURNS – US Blanks will accept First Quality blanks for return if they meet all of the following criteria:

- Standard stringer & rocker (no custom glue-ups)
- Blank is in acceptable, First Quality condition
- No more than 30 days from purchase date

All returns will be subject to a 25% re-stocking fee.

REVISIONS TO SALES POLICY – US Blanks reserves the right to revise this Sales Policy at any time. Customers may request a current copy of this policy at any time. Each revision will be numbered and dated.

It is our goal to adhere to this Sales Policy consistently and fairly to all customers. Should a customer feel they are not being sold to in accordance to this policy we would like it brought to the attention of the owners. Retro- active retribution will be instated if an error in administering this policy was found. US Blanks will not be liable or pay for costs, damages, etc. sustained by non-conformance to this policy.



THE CORE OF SURFING

P: (310) 225-6774

F: (310) 225-6922

P.O.Box 486, Gardena, CA, 90248

USBlanks.com